



LCV RANGE

Price and Specification Guide | 1 April 2019 | Model Year 2019



VAUXHALL
British Brand since 1903



CONTENTS

NEW COMBO CARGO

Prices, Weights, Fuel Economy and Emissions

Features/Options

Exterior Colours, Wheels and Tyres, Specifications

Dimensions

Accessories

VIVARO

Prices, Weights, Fuel Economy and Emissions

Features/Options

Exterior Colours, Wheels and Tyres, Specifications

Dimensions

Accessories

MOVANO

Prices, Weights, Fuel Economy and Emissions

Features/Options

Exterior Colours, Wheels and Tyres, Specifications

Dimensions

Accessories

GLOSSARY OF TERMS

CUSTOMER CARE



NEW COMBO CARGO PANEL VAN PRICES

EURO 6.1	Fuel economy mpg (litres/100km)*					CO ₂ (g/km)#	Price (£) exc. VAT	On-the-road RRP (£) exc. VAT
	Minimum Mass (kg)*	Maximum Payload (kg)*	Urban driving	Extra-urban driving	Combined figure			
L1 EDITION PANEL VAN EURO 6B (6.1)								
2000 1.6 (75PS) Turbo D	1378	667	57.6 (4.9)	68.8 (4.1)	64.2 (4.4)	114	16,080.00	16,978.33
2000 1.6 (100PS) Turbo D Start/Stop	1382	668	60.1 (4.7)	70.6 (4.0)	65.6 (4.3)	111	16,805.00	17,703.33
2300 1.6 (75PS) Turbo D	1394	1021	57.6 (4.9)	68.8 (4.1)	64.2 (4.4)	114	16,430.00	17,328.33
2300 1.6 (100PS) Turbo D Start/Stop	1395	1020	61.4 (4.6)	70.6 (4.0)	67.2 (4.2)	109	17,155.00	18,053.33
L1 SPORTIVE PANEL VAN EURO 6B (6.1)								
2000 1.6 (100PS) Turbo D Start/Stop	1382	668	60.1 (4.7)	70.6 (4.0)	65.6 (4.3)	111	18,155.00	19,053.33
2300 1.6 (100PS) Turbo D Start/Stop	1395	1020	61.4 (4.6)	70.6 (4.0)	67.2 (4.2)	109	18,505.00	19,403.33
L1 LIMITED EDITION NAV PANEL VAN EURO 6B (6.1)								
2000 1.6 (100PS) Turbo D Start/Stop	1382	668	60.1 (4.7)	70.6 (4.0)	65.6 (4.3)	111	19,355.00	20,253.33
2300 1.6 (100PS) Turbo D Start/Stop	1395	1020	61.4 (4.6)	70.6 (4.0)	67.2 (4.2)	109	19,705.00	20,603.33
L2 EDITION PANEL VAN EURO 6B (6.1)								
2300 1.6 (100PS) Turbo D Start/Stop	1470	955	61.4 (4.6)	68.8 (4.1)	65.6 (4.3)	112	18,055.00	18,953.33
L2 SPORTIVE PANEL VAN EURO 6B (6.1)								
2300 1.6 (100PS) Turbo D Start/Stop	1470	955	61.4 (4.6)	68.8 (4.1)	65.6 (4.3)	112	19,405.00	20,303.33
L2 LIMITED EDITION NAV PANEL VAN EURO 6B (6.1)								
2300 1.6 (100PS) Turbo D Start/Stop	1470	955	61.4 (4.6)	68.8 (4.1)	65.6 (4.3)	112	20,605.00	21,503.33

*Minimum Mass for standard vehicles include coolant, oil and 90% full fuel tank. They will vary according to the vehicle specification (including options and accessories) with a corresponding variation in payload.

#Fuel consumption data and CO₂ emission data are determined using the Worldwide harmonized Light vehicles Test Procedure (WLTP), and the relevant values are translated back to allow the comparability into NEDC, according to regulations R (EC) No. 715/2007, R (EU) No. 2017/1153 and R (EU) No. 2017/1151. The values do not take into account in particular use and driving conditions, equipment or options and may vary depending on the format of tyres. For more information on official fuel consumption and CO₂ emission values, please read the guidelines at <http://vanfueldata.dft.gov.uk/>

All Combo Vans include BlueInjection. Vehicles with BlueInjection technology will need regular AdBlue® top-ups also between servicing requirements. An indicator integrated into the on-board computer will warn you when you need to top up. More information under www.vauxhall.co.uk/adblue In accordance with regulations R (EC) No. 715/2007 and R (EC) No. 692/2008 (in the versions respectively applicable).

Please note: On-the-road recommended retail prices (RRP) include number plates and delivery to retailer of £583.33, 12 months' Vehicle Excise Duty (£260.00) and new vehicle first registration fee of £55.00. Excludes fuel and insurance.



NEW COMBO CARGO PANEL VAN PRICES

EURO 6.2	Fuel economy mpg (litres/100km)*					CO ₂ (g/km) [#]	Price (£) exc. VAT	On-the-road RRP (£) exc. VAT
	Minimum Mass (kg)*	Maximum Payload (kg)*	Urban driving	Extra-urban driving	Combined figure			
L1 EDITION PANEL VAN EURO 6D TEMP (6.2)								
2000 1.5 (75PS) Turbo D	1395	660	60.1 (4.7)	72.4 (3.9)	67.2 (4.2)	111	16,080.00	16,978.33
2000 1.5 (100PS) Turbo D Start/Stop	1395	665	64.2 (4.4)	72.4 (3.9)	68.8 (4.1)	107	16,905.00	17,803.33
2000 1.5 (130PS) Turbo D Start/Stop	1437	658	57.6 (4.9)	68.8 (4.1)	64.2 (4.4)	117	17,555.00	18,453.33
2000 1.5 (130PS) Turbo D Start/Stop automatic	1451	654	61.4 (4.6)	67.2 (4.2)	65.6 (4.3)	114	19,455.00	20,353.33
2300 1.5 (75PS) Turbo D	1430	985	57.6 (4.9)	70.6 (4.0)	65.6 (4.3)	114	16,430.00	17,328.33
2300 1.5 (100PS) Turbo D Start/Stop	1436	984	62.8 (4.5)	70.6 (4.0)	67.2 (4.2)	110	17,255.00	18,153.33
2300 1.5 (130PS) Turbo D Start/Stop	1458	987	57.6 (4.9)	68.8 (4.1)	64.2 (4.4)	117	17,905.00	18,803.33
2300 1.5 (130PS) Turbo D Start/Stop automatic	1470	985	61.4 (4.6)	67.2 (4.2)	65.6 (4.3)	114	19,805.00	20,703.33
L1 SPORTIVE PANEL VAN EURO 6D TEMP (6.2)								
2000 1.5 (75PS) Turbo D	1395	660	60.1 (4.7)	72.4 (3.9)	67.2 (4.2)	111	17,430.00	18,328.33
2000 1.5 (100PS) Turbo D Start/Stop	1395	665	64.2 (4.4)	72.4 (3.9)	68.8 (4.1)	107	18,255.00	19,153.33
2000 1.5 (130PS) Turbo D Start/Stop	1437	658	57.6 (4.9)	68.8 (4.1)	64.2 (4.4)	117	18,905.00	19,803.33
2000 1.5 (130PS) Turbo D Start/Stop automatic	1451	654	61.4 (4.6)	67.2 (4.2)	65.6 (4.3)	114	20,805.00	21,703.33
2300 1.5 (100PS) Turbo D Start/Stop	1436	984	62.8 (4.5)	70.6 (4.0)	67.2 (4.2)	110	18,605.00	19,503.33
L1 LIMITED EDITION NAV PANEL VAN EURO 6D TEMP (6.2)								
2000 1.5 (100PS) Turbo D Start/Stop	1395	665	64.2 (4.4)	72.4 (3.9)	68.8 (4.1)	107	19,455.00	20,353.33
2000 1.5 (130PS) Turbo D Start/Stop	1437	658	57.6 (4.9)	68.8 (4.1)	64.2 (4.4)	117	20,105.00	21,003.33
2300 1.5 (100PS) Turbo D Start/Stop	1436	984	62.8 (4.5)	70.6 (4.0)	67.2 (4.2)	110	19,805.00	20,703.33

*Minimum Mass for standard vehicles include coolant, oil and 90% full fuel tank. They will vary according to the vehicle specification (including options and accessories) with a corresponding variation in payload.

[#]Fuel consumption data and CO₂ emission data are determined using the Worldwide harmonized Light vehicles Test Procedure (WLTP), and the relevant values are translated back to allow the comparability into NEDC, according to regulations R (EC) No. 715/2007, R (EU) No. 2017/1153 and R (EU) No. 2017/1151. The values do not take into account in particular use and driving conditions, equipment or options and may vary depending on the format of tyres. For more information on official fuel consumption and CO₂ emission values, please read the guidelines at <http://vanfueldata.dft.gov.uk/>

All Combo Vans include BlueInjection. Vehicles with BlueInjection technology will need regular AdBlue[®] top-ups also between servicing requirements. An indicator integrated into the on-board computer will warn you when you need to top up. More information under www.vauxhall.co.uk/adblue In accordance with regulations R (EC) No. 715/2007 and R (EC) No. 692/2008 (in the versions respectively applicable).

Please note: On-the-road recommended retail prices (RRP) include number plates and delivery to retailer of £583.33, 12 months' Vehicle Excise Duty (£260.00) and new vehicle first registration fee of £55.00. Excludes fuel and insurance.



NEW COMBO CARGO PANEL VAN PRICES

EURO 6.2	Fuel economy mpg (litres/100km)*					CO ₂ (g/km)#	Price (£) exc. VAT	On-the-road RRP (£) exc. VAT
	Minimum Mass (kg)*	Maximum Payload (kg)*	Urban driving	Extra-urban driving	Combined figure			
L2 EDITION PANEL VAN EURO 6D TEMP (6.2)								
2300 1.5 (100PS) Turbo D Start/Stop	1492	938	62.8 (4.5)	70.6 (4.0)	67.2 (4.2)	110	18,155.00	19,053.33
2300 1.5 (130PS) Turbo D Start/Stop automatic	1470	985	61.4 (4.6)	67.2 (4.2)	65.6 (4.3)	114	20,305.00	21,203.33
L2 SPORTIVE PANEL VAN EURO 6D TEMP (6.2)								
2300 1.5 (100PS) Turbo D Start/Stop	1492	938	62.8 (4.5)	70.6 (4.0)	67.2 (4.2)	110	19,505.00	20,403.33
L2 LIMITED EDITION NAV PANEL VAN EURO 6D TEMP (6.2)								
2300 1.5 (100PS) Turbo D Start/Stop	1492	938	62.8 (4.5)	67.2 (4.2)	67.2 (4.2)	110	20,705.00	21,603.33

*Minimum Mass for standard vehicles include coolant, oil and 90% full fuel tank. They will vary according to the vehicle specification (including options and accessories) with a corresponding variation in payload.

#Fuel consumption data and CO₂ emission data are determined using the Worldwide harmonized Light vehicles Test Procedure (WLTP), and the relevant values are translated back to allow the comparability into NEDC, according to regulations R (EC) No. 715/2007, R (EU) No. 2017/1153 and R (EU) No. 2017/1151. The values do not take into account in particular use and driving conditions, equipment or options and may vary depending on the format of tyres. For more information on official fuel consumption and CO₂ emission values, please read the guidelines at <http://vanfueldata.dft.gov.uk/>

All Combo Vans include BlueInjection. Vehicles with BlueInjection technology will need regular AdBlue® top-ups also between servicing requirements. An indicator integrated into the on-board computer will warn you when you need to top up. More information under www.vauxhall.co.uk/adblue In accordance with regulations R (EC) No. 715/2007 and R (EC) No. 692/2008 (in the versions respectively applicable).

Please note: On-the-road recommended retail prices (RRP) include number plates and delivery to retailer of £583.33, 12 months' Vehicle Excise Duty (£260.00) and new vehicle first registration fee of £55.00. Excludes fuel and insurance.



NEW COMBO CARGO CREW VAN PRICES**

EURO 6.2	Fuel economy mpg (litres/100km)*					CO ₂ (g/km)#	Price (£) exc. VAT	On-the-road RRP (£) exc. VAT
	Minimum Mass (kg)*	Maximum Payload (kg)*	Urban driving	Extra-urban driving	Combined figure			
L2 EDITION CREW VAN EURO 6D TEMP (6.2)								
2300 1.5 (100PS) Turbo D Start/Stop	tba	tba	tba	tba	tba	tba	tba	tba
L2 SPORTIVE CREW VAN EURO 6D TEMP (6.2)								
2300 1.5 (100PS) Turbo D Start/Stop	tba	tba	tba	tba	tba	tba	tba	tba

****PLEASE NOTE: CREW VAN PRODUCTION EXPECTED TO COMMENCE AUTUMN 2019.**

*Minimum Mass for standard vehicles include coolant, oil and 90% full fuel tank. They will vary according to the vehicle specification (including options and accessories) with a corresponding variation in payload.

#Fuel consumption data and CO₂ emission data are determined using the Worldwide harmonized Light vehicles Test Procedure (WLTP), and the relevant values are translated back to allow the comparability into NEDC, according to regulations R (EC) No. 715/2007, R (EU) No. 2017/1153 and R (EU) No. 2017/1151. The values do not take into account in particular use and driving conditions, equipment or options and may vary depending on the format of tyres. For more information on official fuel consumption and CO₂ emission values, please read the guidelines at <http://vanfueldata.dft.gov.uk/>

The Combo Crew Van is classified as a Commercial Vehicle (Category N). It is not pre-approved for VAT reclaimable status and it is advisable that customers consult their local HMRC Office or visit www.hmrc.gov.uk for further details.

All Combo Vans include BlueInjection. Vehicles with BlueInjection technology will need regular AdBlue® top-ups also between servicing requirements. An indicator integrated into the on-board computer will warn you when you need to top up. More information under www.vauxhall.co.uk/adblue In accordance with regulations R (EC) No. 715/2007 and R (EC) No. 692/2008 (in the versions respectively applicable).

Please note: On-the-road recommended retail prices (RRP) include number plates and delivery to retailer of £583.33, 12 months' Vehicle Excise Duty (£260.00) and new vehicle first registration fee of £55.00. Excludes fuel and insurance.



NEW COMBO CARGO PLATED WEIGHTS AND TOWING DATA

EURO 6.1	Gross Vehicle Weights (GVW) (kg)	Plated weights (kg)*		Towing weights (kg)		Plated Gross Combination Weights (GCW) (kg)
		Front axle	Rear axle	Braked	Unbraked	
L1 EDITION PANEL VAN EURO 6B (6.1)						
2000 1.6 (75PS) Turbo D	1970	1110	1075	1000	600	2970
2000 1.6 (100PS) Turbo D Start/Stop	1975	1110	1075	1200	600	3175
2300 1.6 (75PS) Turbo D	2340	1200	1400	750	600	3090
2300 1.6 (100PS) Turbo D Start/Stop	2340	1200	1400	850	600	3190
L1 SPORTIVE PANEL VAN EURO 6B (6.1)						
2000 1.6 (100PS) Turbo D Start/Stop	1975	1110	1075	1200	600	3175
2300 1.6 (100PS) Turbo D Start/Stop	2340	1200	1400	850	600	3190
L1 LIMITED EDITION NAV PANEL VAN EURO 6B (6.1)						
2000 1.6 (100PS) Turbo D Start/Stop	1975	1110	1075	1200	600	3175
2300 1.6 (100PS) Turbo D Start/Stop	2340	1200	1400	850	600	3190
L2 EDITION PANEL VAN EURO 6B (6.1)						
2300 1.6 (100PS) Turbo D Start/Stop	2350	1200	1400	850	600	3200
L2 SPORTIVE PANEL VAN EURO 6B (6.1)						
2300 1.6 (100PS) Turbo D Start/Stop	2350	1200	1400	850	600	3200
L2 LIMITED EDITION NAV PANEL VAN EURO 6B (6.1)						
2300 1.6 (100PS) Turbo D Start/Stop	2350	1200	1400	850	600	3200

*Provisional data.

Gross plated weights (including axle weights) quoted on the vehicle plate are to UK plated weight specification and must never be exceeded.



NEW COMBO CARGO PLATED WEIGHTS AND TOWING DATA

EURO 6.2	Plated weights (kg)*			Towing weights (kg)		Plated Gross Combination Weights (GCW) (kg)
	Gross Vehicle Weights (GVW) (kg)	Front axle	Rear axle	Braked	Unbraked	
L1 EDITION PANEL VAN EURO 6D TEMP (6.2)						
2000 1.5 (75PS) Turbo D	1980	1110	1075	1000	600	2980
2000 1.5 (100PS) Turbo D Start/Stop	1985	1200	1075	1350	600	3335
2000 1.5 (130PS) Turbo D Start/Stop	2020	1110	1075	1500	600	3520
2000 1.5 (130PS) Turbo D Start/Stop automatic	2030	1200	1075	1350	600	3380
2300 1.5 (75PS) Turbo D	2340	1200	1400	850	600	3190
2300 1.5 (100PS) Turbo D Start/Stop	2345	1200	1400	1000	600	3345
2300 1.5 (130PS) Turbo D Start/Stop	2370	1200	1400	1200	600	3570
2300 1.5 (130PS) Turbo D Start/Stop automatic	2380	1200	1400	1000	600	3380
L1 SPORTIVE PANEL VAN EURO 6D TEMP (6.2)						
2000 1.5 (75PS) Turbo D	1980	1110	1075	1200	600	3180
2000 1.5 (100PS) Turbo D Start/Stop	1985	1200	1075	1350	600	3335
2000 1.5 (130PS) Turbo D Start/Stop	2020	1110	1075	1500	600	3520
2000 1.5 (130PS) Turbo D Start/Stop automatic	2030	1110	1075	1350	600	3380
2300 1.5 (100PS) Turbo D Start/Stop	2345	1200	1400	1000	600	3345
L1 LIMITED EDITION NAV PANEL VAN EURO 6D TEMP (6.2)						
2000 1.5 (100PS) Turbo D Start/Stop	1985	1200	1075	1350	600	3335
2000 1.5 (130PS) Turbo D Start/Stop	2020	1110	1075	1500	600	3520
2300 1.5 (100PS) Turbo D Start/Stop	2345	1200	1400	1000	600	3345

*Provisional data.

Gross plated weights (including axle weights) quoted on the vehicle plate are to UK plated weight specification and must never be exceeded.



NEW COMBO CARGO PLATED WEIGHTS AND TOWING DATA

EURO 6.2	Plated weights (kg)*			Towing weights (kg)		Plated Gross Combination Weights (GCW) (kg)
	Gross Vehicle Weights (GVW) (kg)	Front axle	Rear axle	Braked	Unbraked	
L2 EDITION PANEL VAN EURO 6D TEMP (6.2)						
2300 1.5 (100PS) Turbo D Start/Stop	2355	1200	1400	1000	600	3355
2300 1.5 (130PS) Turbo D Start/Stop automatic	2380	1200	1400	1000	600	3380
L2 SPORTIVE PANEL VAN EURO 6D TEMP (6.2)						
2300 1.5 (100PS) Turbo D Start/Stop	2355	1200	1400	1000	600	3355
L2 LIMITED EDITION NAV PANEL VAN EURO 6D TEMP (6.2)						
2300 1.5 (100PS) Turbo D Start/Stop	2355	1200	1400	850	600	3200

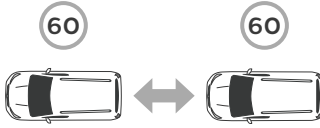
*Provisional data.

Gross plated weights (including axle weights) quoted on the vehicle plate are to UK plated weight specification and must never be exceeded.



NEW COMBO CARGO FEATURES/OPTIONS

DRIVER ASSISTANCE

	Option Code	Edition	Sportive	LE Nav	Price (£) exc. VAT	Price (£) inc. VAT
Mechanical parking brake • Floor-mounted handbrake lever		●	●	●		
Cruise control with speed limiter and intelligent speed adaptation The cruise control feature enables you to maintain a constant speed – making it ideal for economical motorway driving. The speed limiter function can be set to ensure that you do not exceed the speed limit and can be easily overridden if required. Working in conjunction with speed sign recognition (included in optional Safety Pack), when a new speed limit is detected a message appears in the driver information display. You can then set the cruise control to the new speed limit with a simple press on a steering wheel button. – Standard on automatic models.		●	●	●		
	K33	○	●	●	150.00	180.00
Parking sensors • Rear parking distance sensors • Audible warning	UD7	○	●	●	200.00	240.00
Parking Pack Intelligent ultrasonic sensors form part of the solution for today's crowded roads and car parks. Delivering exceptional assistance both when parking and protecting you on the open road. Only available in conjunction with Navi infotainment system. • Front and rear parking distance sensors • Panoramic Rear-view camera • Flank guard – Ultrasonic side sensors • Electrically adjustable / heated / power-folding door mirrors • Front fog lights with cornering light function (standard on LE Nav)	XIEE	○	○	○	700.00	840.00
Sight and Light Pack • High beam assist • Rain-sensitive windscreen wipers • 3.5-inch colour information display – Includes driver drowsiness indicator. • Automatic anti-dazzle rear-view mirror – Only available when glazed rear door option is specified. Standard on automatic models.	CWX	○	○	○	225.00	270.00



NEW COMBO CARGO FEATURES/OPTIONS

DRIVER ASSISTANCE CONTINUED

	Option Code	Edition	Sportive	LE Nav	Price (£) exc. VAT	Price (£) inc. VAT
<p>Head-up display</p> <ul style="list-style-type: none"> • Navigation directions • Speedometer • Rev counter • Set speed of cruise control and speed limiter • Forward collision alert <p>Only available in conjunction with optional audio units. Projects key information onto the windscreen so that the driver's eyes remain on the road at all times. The display is adjustable for height and brightness</p>	UV6		O	O	300.00	360.00
<p>IntelliGrip Pack</p> <p>For those drivers who regularly take their vehicle off road, this pack helps the driver cope with whatever conditions they encounter. IntelliGrip traction control is designed to increase grip in difficult conditions without the additional weight of a conventional four-wheel drive system. It's an innovative grip control system that provides improved traction on certain terrain and conditions through a combination of optimised torque distribution and limited wheel spin, managed through the electronic stability programme.</p> <ul style="list-style-type: none"> • IntelliGrip: A choice of five selectable modes to suit the driving conditions: ESP on, ESP off, snow, mud, sand – Only available in conjunction with Construction Pack. 	PS4	O			200.00	240.00
<p>Construction Pack</p> <p>Improved protection and grip with engine sump guard/shield and Michelin Latitude Tour Mud and Snow tyres.</p> <ul style="list-style-type: none"> • Underride protection • 215/65 R16 tyres • Increased chassis height (+30mm) – Only available in conjunction with IntelliGrip Pack. 	HMG	O			575.00	690.00



NEW COMBO CARGO FEATURES/OPTIONS

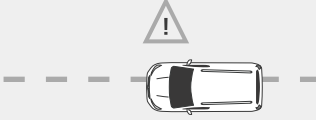
SAFETY

	Option Code	Edition	Sportive	LE Nav	Price (£) exc. VAT	Price (£) inc. VAT
Driver / passenger airbags		●	●	●		
• Driver's airbag						
• Driver and front passenger's airbag – Standard on automatic models and when keyless entry and start is specified on LE Nav models.	AK5	○	○	○	120.00	144.00
• Driver and front passenger's side-impact airbags	AJ7	○	○	○	390.00	468.00
• Driver and front passenger's side-impact and curtain airbags	AKB	○	○	○	490.00	588.00
Seatbelts						
• Height-adjustable lap and diagonal inertia-reel front seatbelts						
• Three lap and diagonal inertia-reel rear seatbelts (Crew Van)						
• Front body-lock diagonal seatbelt pretensioner system – Tightens the seatbelt during the early stages of a frontal impact.		●	●	●		
• Drivers and front passenger's lap belt pretensioner system						
• Front seatbelt force limiters – Reduces potential upper body injuries during a frontal impact.						
• Anti-submarining ramps in front seats – Help prevent occupants sliding underneath the lap belt during a collision.						
Child safety						
• Deactivation switch for front passenger's front and side-impact airbags (when specified) – Permits the safe use of a child seat in the front passenger seat.		●	●	●		
Driver / passenger safety						
• Energy-absorbing steering column • Side-impact protection beams		●	●	●		
• Reinforced passenger safety cell • Deformation zones front and rear						
Braking and stability						
• Electronic stability programme • Anti-lock braking system • Corner stability control						
• Traction control • Hill start assist		●	●	●		
• Engine drag torque control – Improves directional stability by preventing the driven wheels from locking on slippery surfaces under the influence of engine braking.						
• Emergency brake assist • Electronic brakeforce distribution						



NEW COMBO CARGO FEATURES/OPTIONS

SAFETY CONTINUED

	Option Code	Edition	Sportive	LE Nav	Price (£) exc. VAT	Price (£) inc. VAT
<p>Safety Pack – Standard on automatic models.</p> <hr/> <p>Front camera system A range of class-leading driver assistance and safety features are controlled by the front camera system.</p> <hr/> <p>Lane keep assist with lane departure warning If the driver has not actively steered or signalled, the lane departure warning system provides gentle steering correction and warns when the car moves outside of lane markings at speeds above 40mph. • Warning light in instrument cluster • Audible warning • Facia on/off switch</p> <div style="text-align: center;">  </div> <hr/> <p>Speed sign recognition Detects and then displays speed limits, reducing uncertainty and the risk of speeding.</p> <hr/> <p>Driver drowsiness system The system monitors driving time and driving behaviour to help prevent accidents caused by tiredness.</p> <hr/> <p>Forward collision alert The system operates automatically from 3mph and gives an audible warning as well as a visual warning when approaching another vehicle too quickly.</p> <hr/> <p>Automatic emergency braking with pedestrian detection The system works automatically in conjunction with forward collision alert, at speeds between 3mph and 70mph, and detects both vehicles and pedestrians. If no avoiding action is taken by the driver, at speeds below 19mph the system automatically slows the vehicle to a full stop with emergency braking of 0.9g. At speeds from 19mph to 70mph it brakes automatically to reduce speed by a maximum of 30mph – to reduce speed even further the driver must brake him/herself. The operational speed range of the system depends on the detected obstacle (mobile target: from 3 to 53mph; fixed target: from 3 to 70mph; pedestrian: from 3 to 37mph). Vauxhall driver assistance systems are intended to support the driver within the system-imminent limitations. The driver remains responsible for the driving task.</p>	B26	○	○	○	570.00	684.00
<p>Tyre pressure • Deflation detection system</p>	UJO	○	○	○	185.00	222.00
<p>Bulkhead • Full-height steel bulkhead</p>		●	●	●		
<p>• Full-height steel bulkhead with window – Panel Van.</p>	AX9	○	○	○	175.00	210.00
<p>• Two-position moveable ladder frame bulkhead – Crew Van.</p>		●	●			
<p>Overload indicator Prevents risk of overloading. Avoids risk of a fine for exceeding the load limit. Available during 2019.</p>	J89	○	○	○	TBA	TBA

● = Standard equipment. ○ = Optional at extra cost.



NEW COMBO CARGO FEATURES/OPTIONS

SECURITY

	Option Code	Edition	Sportive	LE Nav	Price (£) exc. VAT	Price (£) inc. VAT
Standard security features <ul style="list-style-type: none"> • Electronically protected audio equipment • Engine deadlock immobiliser • Visible Vehicle Identification Number (VIN) • Locking wheel bolts for alloy wheels (where fitted) 		●	●	●		
Remote control central locking <ul style="list-style-type: none"> • Operates on all doors and fuel filler flap • Deadlocking • Driver's internal central locking activation switch • Two folding keys, each with integral remote control function 		●	●	●		
Remote control security alarm system <ul style="list-style-type: none"> • Remote control – Operates in conjunction with central locking. • Bonnet protection – Prevents access to the engine bay. • Visible security LED on fascia • Load area protection – Monitors the load compartment preventing access. • Door protection – Monitors the position of all doors. • Ultrasonic intrusion sensor • Power alarm sounder • Vehicle theft attempt and diagnostic indication – Shows in the display any attempt to enter or steal the vehicle during driver absence. 	PS6	○	●	●	150.00	180.00
Keyless entry and start Standard on automatic models. Only available on LE Nav models when one of the FlexCargo options is specified.	ATH			○	TBA	TBA



NEW COMBO CARGO FEATURES/OPTIONS

DRIVER INFORMATION

	Option Code	Edition	Sportive	LE Nav	Price (£) exc. VAT	Price (£) inc. VAT
<p>Instrumentation</p> <ul style="list-style-type: none"> • Speedometer • Rev counter • Fuel gauge with low fuel level warning light • Water temperature gauge with warning light • Shift-up indication light (manual models only) – Indicates when to change gear for optimum fuel economy. 		●	●	●		
<p>Driver information display</p> <p>Centrally located in instrument cluster.</p> <ul style="list-style-type: none"> • Displays trip computer data • Total mileage • Service-due indicator 		●	●	●		
<p>Multi-function trip computer</p> <p>Displayed on driver information display.</p> <ul style="list-style-type: none"> • Trip mileage • Vehicle range based on remaining fuel • Average speed • Average fuel economy • Instantaneous fuel economy 		●	●	●		
<p>Central facia display</p> <p>Format dependent on infotainment unit.</p> <ul style="list-style-type: none"> • Audio information • Digital clock with automatic RDS time adjustment • Outside air temperature with ice warning function • Additional features dependent on infotainment unit – See infotainment for details. 		●	●	●		



NEW COMBO CARGO FEATURES/OPTIONS

SEATING AND COMFORT

	Option Code	Edition	Sportive	LE Nav	Price (£) exc. VAT	Price (£) inc. VAT
Adjustable steering column <ul style="list-style-type: none"> Reach and rake-adjustable steering column 		●	●	●		
Driver's seat 4-way adjustable. <ul style="list-style-type: none"> Reach Backrest recline 		●				
Driver's seat 6-way adjustable. <ul style="list-style-type: none"> Height Reach Manual lumbar adjustment Armrest Underseat storage 	XFCF (was AM1)	○	●	●	250.00	300.00
Front passenger's seat 4-way adjustable. <ul style="list-style-type: none"> Reach Backrest recline Manual lumbar adjustment 						
Front passenger's seat <ul style="list-style-type: none"> Fixed Underseat storage 		●				
Front passenger's seat – Crew Van models. 4-way adjustable and foldable. <ul style="list-style-type: none"> Reach Backrest recline 		●	●			
Second-row – Crew Van models. <ul style="list-style-type: none"> Three-person layout 60/40 split-folding rear seat Fold and tumble facility Height-adjustable and removable head restraints 		●	●			
Seat trim <ul style="list-style-type: none"> Mistral Grey with Curitiba fabric seat trim inserts 		●	●	●		
Cab flooring <ul style="list-style-type: none"> Carpeted 		●	●	●		



NEW COMBO CARGO FEATURES/OPTIONS

SEATING AND COMFORT CONTINUED

	Option Code	Edition	Sportive	LE Nav	Price (£) exc. VAT	Price (£) inc. VAT
<p>FlexCargo Pack</p> <hr/> <p>Panel Van.</p> <ul style="list-style-type: none"> • Dual front passengers' fixed bench seat • Fold-flat centre seat backrest with table • Two-way foldable outer seat • Load-through bulkhead • Electric parking brake • 'Seatbelt unfastened' audible warning and warning light - Manual models only. Includes 6-way adjustable driver's seat on Edition models. 	AYW	O	O	O	510.00	612.00
<p>FlexCargo Glazed Pack</p> <hr/> <p>Panel Van.</p> <ul style="list-style-type: none"> • Dual front passengers' fixed bench seat • Fold-flat centre seat backrest with table • Two-way foldable outer seat • Load-through glazed bulkhead • Electric parking brake • 'Seatbelt unfastened' audible warning and warning light - Manual models only. Available only when glazed rear door option is specified. Includes 6-way adjustable driver's seat on Edition models. 	AYV	O	O	O	575.00	690.00



NEW COMBO CARGO FEATURES/OPTIONS

HEATING AND VENTILATION

	Option Code	Edition	Sportive	LE Nav	Price (£) exc. VAT	Price (£) inc. VAT
Cab heating <ul style="list-style-type: none"> • Six-speed fan • Illuminated controls • Four adjustable facia vents • Windscreen demist vents • Side window demist vents 		●	●	●		
Air conditioning <ul style="list-style-type: none"> • Air recirculation facility • Cabin particulate filter – Removes dust, airborne particles and pollen. 	C60	○	●	●	600.00	720.00
Electronic climate control including air conditioning <ul style="list-style-type: none"> • Dual-zone control – allowing different temperature settings for driver and front passenger. • Advanced predictive logic control system using sun sensors • Partial air recirculation – faster warm up/cool down. • Cabin particulate filter – removes dust, airborne particles and pollen. • Automatic air direction and fan speed with manual override • LCD temperature display • Illuminated controls – Only available when the Sight and Light Pack is specified. 	CJ2		○	○	200.00	240.00
Winter Pack <ul style="list-style-type: none"> • Heated outer front seats • Heated leather-covered steering wheel – Only available when cruise control and Safety Pack are specified. Edition models require optional seating. Not available on automatic or Crew Van models. 	XIBV	○	○	○	150.00	180.00



NEW COMBO CARGO FEATURES/OPTIONS

INTERIOR CONVENIENCE AND STORAGE

	Option Code	Edition	Sportive	LE Nav	Price (£) exc. VAT	Price (£) inc. VAT
Mirrors <ul style="list-style-type: none"> • Dipping rear-view mirror – When glazed bulkhead and rear doors are specified. • Driver's and front passenger's sunvisors • Vanity mirror on rear of driver's sunvisor 		●	●	●		
Front compartments <ul style="list-style-type: none"> • Two facia-mounted drinks holders • Two drinks holders in centre console • Large open storage pocket behind infotainment screen • Small open storage compartment behind gear lever • Two large and two small open door pockets • Open storage compartment below glovebox • Full-width overhead storage shelf with ambient lighting 		●	●	●		
<ul style="list-style-type: none"> • Underseat drawer (driver's side) 			●	●		



NEW COMBO CARGO FEATURES/OPTIONS

LOAD AREA

	Option Code	Edition	Sportive	LE Nav	Price (£) exc. VAT	Price (£) inc. VAT
Load floor covering – Panel Van only.						
• Plywood load floor covering	CRJ	O	O	O	180.00	216.00
• Vinyl load floor covering – Standard on Crew Van models.	CRK	O	O	O	60.00	72.00
Illuminated load area		●	●	●		
Fixed floor-mounted load restraint lashing eyes – Six.		●	●	●		
LED illuminated load area – Panel Van only.	8G8	O	O	O	TBA	TBA
Rear roof flap – L1 models only. Available January 2019.	AD3	O			240.00	288.00
Side access – Unglazed.		●	●	●		
• Nearside sliding side-access door – L1 models.						
• Nearside and offside sliding side-access doors – Standard on L2 and Crew Van models.	CVM	O	O	O	220.00	264.00
Side access – Glazed. Panel Van only.						
• Fixed window in nearside sliding side-access door						
• Fixed window in opposite panel – L1 models.	BSB	O	O	O	320.00	384.00
Side access – Glazed. Panel Van only.						
• Offside sliding side-access door						
• Fixed window in nearside sliding side-access door						
• Fixed window in offside sliding side-access door – L1 models.	BSA	O	O	O	540.00	648.00
Side access – Glazed. Panel Van only.						
• Fixed window in nearside sliding side-access door						
• Fixed window in offside sliding side-access door – L2 Models.		O	O	O	TBA	TBA
Rear access – Unglazed.		●	●	●		
• Twin solid rear doors						
Rear access – Glazed.						
• Twin glazed rear doors – Only available with glazed bulkhead options.	J1X	O	O	O	160.00	192.00

● = Standard equipment. ○ = Optional at extra cost.



NEW COMBO CARGO FEATURES/OPTIONS

INFOTAINMENT

	Option Code	Edition	Sportive	LE Nav	Price (£) exc. VAT	Price (£) inc. VAT
<p>Radio</p> <p>Onboard features:</p> <ul style="list-style-type: none"> • AM/FM stereo radio • DAB Digital radio • RDS with Traffic Programme • 20 watts per channel output • Four speakers <p>Media connections:</p> <ul style="list-style-type: none"> • USB connection with iPod control • Bluetooth® A2DP audio streaming (Advanced Audio Distribution Profile) <p>Mobile phone portal:</p> <ul style="list-style-type: none"> • Bluetooth® connectivity • Handsfree calls via steering wheel controls • Vehicle microphone 		●	●			
<p>Multimedia</p> <p>Onboard features:</p> <ul style="list-style-type: none"> • 8-inch colour touchscreen • AM/FM stereo radio with 25 station presets • DAB Digital radio • RDS with Traffic Programme • 20 watts per channel output • Four speakers <p>Media connections:</p> <ul style="list-style-type: none"> • USB connection with iPod control • Bluetooth® A2DP audio streaming (Advanced Audio Distribution Profile) <p>Mobile phone portal:</p> <ul style="list-style-type: none"> • Bluetooth® connectivity • Handsfree calls via steering wheel controls • Vehicle microphone • Phone book access – Contacts/last calls/missed calls etc. are mirrored on the display and are easily navigated using the touchscreen (features dependent on mobile phone). <p>Smartphone interface:</p> <ul style="list-style-type: none"> • Apple CarPlay™ • Android Auto™ – Smartphone projection that allows operations via voice command, touchscreen and buttons to control apps and music playback. 	105	○	○		300.00	360.00



NEW COMBO CARGO FEATURES/OPTIONS

INFOTAINMENT CONTINUED

	Option Code	Edition	Sportive	LE Nav	Price (£) exc. VAT	Price (£) inc. VAT
<p>Multimedia Navi Pro</p> <p>Onboard features:</p> <ul style="list-style-type: none"> • 8-inch colour touchscreen • AM/FM stereo radio with 25 station presets • DAB Digital radio • RDS with Traffic Programme • 20 watts per channel output • Four speakers <p>Navigation features:</p> <ul style="list-style-type: none"> • Satellite navigation system • 3D street level mapping • European coverage • Structured or one-box destination entry • Points-of-interest search • Eco routing • Map updates via USB <p>Media connections:</p> <ul style="list-style-type: none"> • USB connection with iPod control • Bluetooth® A2DP audio streaming (Advanced Audio Distribution Profile) <p>Mobile phone portal:</p> <ul style="list-style-type: none"> • Bluetooth® connectivity • Handsfree calls via steering wheel controls • Vehicle microphone • Phone book access – Contacts/last calls/missed calls etc. are mirrored on the display and are easily navigated using the touchscreen (features dependent on mobile phone). <p>Smartphone interface:</p> <ul style="list-style-type: none"> • Apple CarPlay™ • Android Auto™ – Smartphone projection that allows operations via voice command, touchscreen and buttons to control apps and music playback. 	IO6	○	○	●	700.00	840.00
<p>Steering wheel mounted audio controls</p> <p>– Standard on automatic Edition models.</p>			●	●		
<ul style="list-style-type: none"> • 12-volt electrical accessory socket – Centre console. • 12-volt electrical accessory socket – Passenger side. • USB charging point in glovebox • USB charging / infotainment points – Infotainment unit and rear of centre console. 		●	●	●		
<p>230-volt electrical accessory socket – In lieu of passenger side 12-volt electrical accessory socket.</p>	KI5	○	○	○	100.00	120.00
<p>Wireless charger for mobile devices – Inductive wireless charging facility in lower fascia.</p>	K4C	○	○	○	80.00	96.00



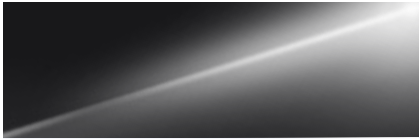
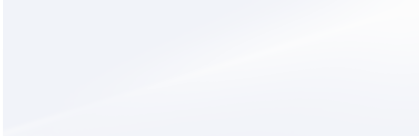

NEW COMBO CARGO FEATURES/OPTIONS

EXTERIOR STYLING AND CONVENIENCE

	Option Code	Edition	Sportive	LE Nav	Price (£) exc. VAT	Price (£) inc. VAT
Body styling • Nearside sliding side-access door • Twin solid rear doors • Side-protection mouldings		●	●	●		
• Body-colour front and rear bumper			●	●		
• Body-colour door mirrors • Body-colour side-protection mouldings • Body-colour door handles • Protective front skid plate • Body-colour sliding side-access door rail cover				●		
Windscreen / windows • Solar heat-absorbing windscreen • Two-speed windscreen wipers with variable intermittent wipe • Electrically operated front windows with safety autoreverse and one-touch facility • Tinted windows		●	●	●		
Door mirrors • Twin electrically adjustable / heated door mirrors • Manually folding door mirrors		●	●	●		
Front fog lights				●		
Tow bar pre-installation kit	JNK	○	○	○	310.00	372.00
Tow bar – Requires Tow bar pre-installation kit.	VTO	○	○	○	210.00	252.00
Roof rails	E2R	○	○	○	125.00	150.00



NEW COMBO CARGO EXTERIOR COLOURS




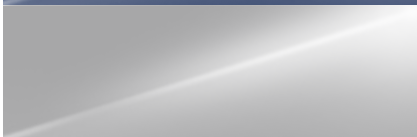

			Option Code	Edition	Sportive	LE Nav	Price (£) exc. VAT	Price (£) inc. VAT
Solid		Onyx Black	G7R	●	●	●		
		White Jade	G2O	●	●	●		
Brilliant		Ruby Red	GEO	○	N/C	N/C	237.50	285.00

The colours reproduced may vary slightly from the actual paint colour. As a result they should be used as a guide only. Your Vauxhall Retailer has a comprehensive display of our paint samples.

● = Standard equipment. ○ = Optional at extra cost. N/C = No-cost option.



NEW COMBO CARGO EXTERIOR COLOURS




		Option Code	Edition	Sportive	LE Nav	Price (£) exc. VAT	Price (£) inc. VAT
Two-coat		Cool Grey metallic	GAC				
		Moonstone Grey metallic	G4O				
		Night Blue metallic	GBT	O	N/C	N/C	470.83 565.00
		Quartz Grey metallic	G4I				
		Cosmic Brown pearlescent	GLV				

The colours reproduced may vary slightly from the actual paint colour. As a result they should be used as a guide only. Your Vauxhall Retailer has a comprehensive display of our paint samples.

O = Optional at extra cost. N/C = No-cost option.



NEW COMBO CARGO WHEELS AND TYRES

	Option Code	Edition	Sportive	LE Nav	Price (£) exc. VAT	Price (£) inc. VAT
 <p>15-inch steel wheels with centre caps (2000 models)</p> <ul style="list-style-type: none"> • 185/65 R15 tyres • Emergency tyre inflation kit (in lieu of spare wheel) <p>16-inch steel wheels with centre caps (2300 models)</p> <ul style="list-style-type: none"> • 205/60 R16 tyres • Emergency tyre inflation kit (in lieu of spare wheel) 		●				
 <p>16-inch steel wheels with full-diameter wheel trims (2300 models)</p> <ul style="list-style-type: none"> • 205/60 R16 tyres • Emergency tyre inflation kit (in lieu of spare wheel) 			●			
 <p>16-inch alloy wheels</p> <ul style="list-style-type: none"> • 205/60 R16 tyres • Emergency tyre inflation kit (in lieu of spare wheel) 	RRZ		○	●	400.00	480.00
15-inch steel spare wheel • 185/65 R15 tyres • In lieu of emergency tyre inflation kit (2000 models)		N/C				No-cost option
16-inch steel spare wheel • 205/60 R16 tyres • In lieu of emergency tyre inflation kit (2300 / Sportive / LE Nav models)		N/C	N/C	N/C		No-cost option



NEW COMBO CARGO SPECIFICATIONS

Transmission

- Front-wheel drive
- Five-speed manual gearbox
1.6 (75/100PS)/1.5 (130PS) Turbo D models
- Six-speed manual gearbox – 1.5 (130PS)
Turbo D/1.2 (110PS) Turbo* models
- Eight-speed automatic transmission – available
on 1.5 (130PS) Turbo D/1.2 (130PS) Turbo* models

Replacing the traditional lever, the automatic transmission selection-mode dial/drive wheel is an innovative solution that is both elegant and intuitive. By simply twisting the dial, the following modes can be selected:

- Park, for when the vehicle is stationary and the wheels are locked
- Drive, for automatic forward motion
- Neutral, for when the vehicle is stationary, wheels are free
- Reverse, for automatic backward motion

For an extra experience of dynamism, the shift paddles for automatic transmissions are located behind the steering wheel, offering drivers an extra level of control that is highly ergonomic and intuitive.

The shift paddles function in the following way:

- To go up a gear, the driver must pull the right lever towards themselves
- To go down a gear, the driver must pull the left lever towards themselves**

Steering

- Speed-sensitive electric power-assisted system
- Turning circle (kerb-to-kerb) –
11.0m (36 ft) L1 models, 11.8m (38.7 ft) L2 models

Suspension

Front: Independent. MacPherson struts with gas-pressure dampers and linear-rate coil springs. Anti-roll bar

Rear: Torsion beam with gas-pressure dampers and constant-rate coil springs (variable-rate on 2300 models)

Roof Loads

- New Combo roof load should not exceed 100kg including the weight of the roof rack/carrier

Fuel Tank Capacity

- 61 litres (13.0 gallons) – Petrol models*
- 50 litres (10.9 gallons) – Diesel models

AdBlue Tank Capacity

- 17 Litres (3.7 gallons)



NEW COMBO CARGO PETROL ENGINES*

Engine	1.2 (110PS) Turbo Start/Stop	1.2 (130PS) Turbo Start/Stop
Capacity	1199cc	1199cc
Maximum power	110PS (81kW) @ 5500rpm	130PS (96kW) @ 5500rpm
Maximum torque	205Nm (151 lb.ft.) @ 1750rpm	230Nm (170 lb.ft.) @ 1750rpm
Configuration	3 cylinders, 4 valves per cylinder, double overhead camshafts	3 cylinders, 4 valves per cylinder, double overhead camshafts
Fuel/induction system	Turbocharger. Variable Valve Timing. Direct fuel injection	Turbocharger. Variable Valve Timing. Direct fuel injection
Emission compliance	Euro 6d-TEMP (6.2)	Euro 6d-TEMP (6.2)
Service interval	12,500 miles or 1 year (whichever occurs sooner)	12,500 miles or 1 year (whichever occurs sooner)

*1.2 (110/130PS) Turbo models available 2019.



NEW COMBO CARGO EURO 6.1 DIESEL ENGINES

Engine	1.6 (75PS) Turbo D BlueInjection	1.6 (100PS) Turbo D Start/Stop BlueInjection
Capacity	1560cc	1560cc
Maximum power	75PS (55kW) @ 3500rpm	100PS (75kW) @ 3750rpm
Maximum torque	210Nm (155 lb.ft.) @ 1750rpm	250Nm (184 lb.ft.) @ 1750rpm
Configuration	4 cylinders, 4 valves per cylinder, double overhead camshafts	4 cylinders, 4 valves per cylinder, double overhead camshafts
Fuel/induction system	Turbocharger with intercooler. Common rail fuel injection	Turbocharger with intercooler. Common rail fuel injection
Emission compliance	Euro 6b (6.1)	Euro 6b (6.1)
Service interval	16,000 miles or 1 year (whichever occurs sooner)	16,000 miles or 1 year (whichever occurs sooner)



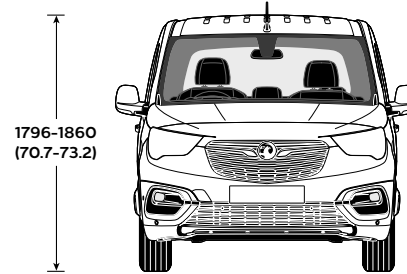
NEW COMBO CARGO EURO 6.2 DIESEL ENGINES

Engine	1.5 (75PS) Turbo D BlueInjection	1.5 (100PS) Turbo D Start/Stop BlueInjection	1.5 (130PS) Turbo D Start/Stop BlueInjection
Capacity	1499cc	1499cc	1499cc
Maximum power	75PS (55kW) @ 3500rpm	100PS (75kW) @ 3500rpm	130PS (96kW) @ 3750rpm
Maximum torque	230Nm (170 lb.ft.) @ 1750rpm	250Nm (184 lb.ft.) @ 1750rpm	300Nm (221 lb.ft.) @ 1750rpm
Configuration	4 cylinders, 4 valves per cylinder, double overhead camshafts	4 cylinders, 4 valves per cylinder, double overhead camshafts	4 cylinders, 4 valves per cylinder, double overhead camshafts
Fuel/induction system	Turbocharger with intercooler. Common rail fuel injection	Variable-nozzle turbocharger with electric switching. Common rail direct injection	Variable-nozzle turbocharger with electric switching. Common rail direct injection
Emission compliance	Euro 6d-TEMP (6.2) with Diesel Particulate Filter	Euro 6d-TEMP (6.2) with Diesel Particulate Filter	Euro 6d-TEMP (6.2)
Service interval	25,000 miles or 2 years (whichever occurs sooner)	25,000 miles or 2 years (whichever occurs sooner)	25,000 miles or 2 years (whichever occurs sooner)



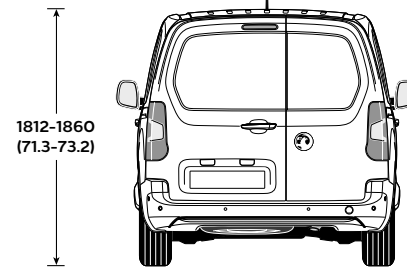
NEW COMBO CARGO DIMENSIONS

COMBO	Panel Van		Crew Van
	L1	L2	L2
Loadspace Dimensions millimetres (inches)			
Load length	1527 (60.1) – 1817 (71.5)	1877 (73.9) – 2167 (85.3)	1051 (41.4) – 2110 (83.1)
Load length – With 'load through'	3090 (121.7)	3440 (135.4)	3050 (120.1)
Maximum load height	1236 (48.7)	1243 (48.9)	1243 (48.9)
Load width – With nearside side-access door	1630 (64.2)	-	-
Load width – With nearside and offside side-access doors	1527 (60.1)	1527 (60.1)	1527 (60.1)
Maximum width between wheel arches	1229 (48.4)	1229 (48.4)	1229 (48.4)
Loading height	548 (21.6) – 610 (24.0)	548 (21.6) – 610 (24.0)	620 (24.4)
Maximum rear door aperture width	1241 (48.9)	1241 (48.9)	1241 (48.9)
Maximum rear door aperture height	1196 (47.1)	1196 (47.1)	1196 (47.1)
Maximum side-access aperture width	675 (26.6)	675 (26.6)	759 (29.9)
Maximum side-access aperture height	1072 (42.2)	1072 (42.2)	1072 (42.2)
Loadspace Volumes cu.m (cu.ft.)			
Panel Van	3.3 (116.5)	3.9 (137.7)	-
Panel Van – With 'load through'	3.8 (134.2)	4.4 (155.4)	-
Crew Van – With seats folded	-	-	4.0 (141.2)
Crew Van – With seats up (to top of seats)	-	-	1.8 (63.6)
Crew Van – With seats up (to roof)	-	-	3.5 (123.6)



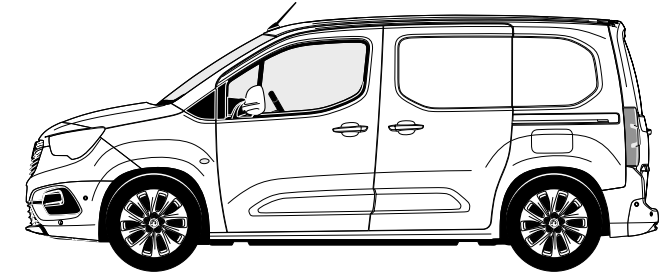
1796-1860
(70.7-73.2)

1848 (72.7)
excluding door mirrors
2107 (83.0)
including door mirrors



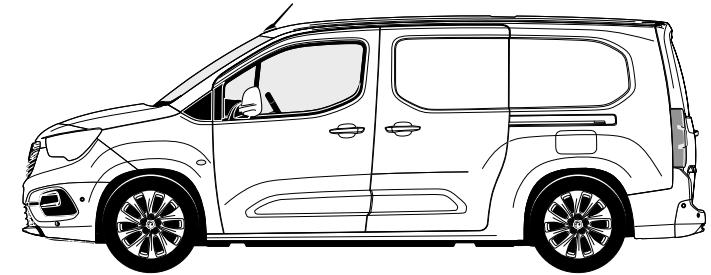
1812-1860
(71.3-73.2)

1848 (72.7)
excluding door mirrors
2107 (83.0)
including door mirrors



892 (35.1) 2785 (109.6) 726 (28.6)
4403 (173.3)

L1



892 (35.1) 2975 (117.1) 886 (34.9)
4753 (187.1)

L2



NEW COMBO CARGO ACCESSORIES

SAFETY	Total (exc. VAT)	TRANSPORT SYSTEMS	Total (exc. VAT)
Safety Kit	£31	Roof base carrier ¹ (set of 2 bars)	£159
First aid kit	£13	Additional roof base carrier (1 bar)	£80
Warning triangle (small)	£10	Aluminium roof rack	
Hi-vis vest	£8	- L1	£594
		- L2	£639
		Steel roof rack	
		- L1	£481
		- L2	£549
		Thule Ladder Tilt 311	£425
		Thule Ladder holder 330	£101
		Thule Ladder Roller 335	£66
		Thule front load stop system (Side profiles)	£140
		Thule front load stop system 321 (Front)	£66
		Thule Ratchet Tie Down Strap	£22
		Thule Fold Down Load Stop 315	£44
		Thule Square Bar Adapter	£31
		Roof carriers (requires base carrier)	
		Bike roof carrier – Thule Freeride 532	£65
		Surf board roof carrier – Thule 833	£68
		Kayak roof carrier – Thule 837	£143
		Ski roof carrier (up to 4 pairs)	
		Thule 7324	£134
		Ski roof carrier (up to 6 pairs)	
		Thule 7326	£158
		Hard shell roof boxes (requires base carrier)	
		Thule Ocean 80	
		(320 litre / 1330 x 860 x 370mm)	£128
		Thule Ocean 200	
		(450 litre / 1750 x 820 x 450mm)	£269
		Thule Motion 800	
		(460 litre / 2050 x 840 x 450mm)	from £386
		Thule Touring 200	
		(400 litre / 1720 x 820 x 450mm)	£282
		Thule Touring 700	
		(430 litre / 1960 x 780 x 430mm)	£320

Please note: Prices shown are fully fitted and painted where applicable. All prices are exclusive of VAT. It is advisable to ensure your insurance policy is adequate to cover additional fitted accessories. Prices correct at time of publication.

1= A dedicated T-Track adapter (Thule 697-4 or Thule 697-6) is required for the installation of specific roof boxes, contact your local Vauxhall Retailer for details.



VIVARO PANEL VAN PRICES

	Fuel economy mpg (litres/100km) [#]					CO ₂ (g/km) [#]	Price (£) exc. VAT	On-the-road RRP (£) exc. VAT
	Minimum Mass (kg)*	Maximum Payload (kg)*	Urban driving	Extra-urban driving	Combined figure			
L1 H1 PANEL VAN EURO 6B (6.1)								
2700 1.6CDTi (95PS) BlueInjection	1800	1060	36.2 (7.8)	48.7 (5.8)	43.4 (6.5)	170	22,330.00	23,228.33
2700 1.6CDTi (95PS) S/S BlueInjection	1800	1060	39.2 (7.2)	50.4 (5.6)	46.3 (6.1)	160	22,525.00	23,423.33
2700 1.6CDTi (120PS) BlueInjection	1800	1060	36.2 (7.8)	48.7 (5.8)	43.4 (6.5)	170	22,930.00	23,828.33
2700 1.6CDTi BiTurbo (125PS) S/S ecoTEC BlueInjection	1818	1062	40.9 (6.9)	51.4 (5.5)	47.0 (6.0)	155	23,330.00	24,228.33
2900 1.6CDTi (95PS) BlueInjection	1800	1220	36.2 (7.8)	48.7 (5.8)	43.4 (6.5)	170	22,830.00	23,728.33
2900 1.6CDTi (95PS) S/S BlueInjection	1800	1220	39.2 (7.2)	50.4 (5.6)	46.3 (6.1)	160	23,025.00	23,923.33
2900 1.6CDTi (120PS) BlueInjection	1800	1220	36.2 (7.8)	48.7 (5.8)	43.4 (6.5)	170	23,430.00	24,328.33
2900 1.6CDTi BiTurbo (125PS) S/S ecoTEC BlueInjection	1818	1222	40.9 (6.9)	51.4 (5.5)	47.0 (6.0)	155	23,830.00	24,728.33
L1 H1 SPORTIVE PANEL VAN EURO 6B (6.1)								
2700 1.6CDTi (120PS) BlueInjection	1800	1030	36.2 (7.8)	48.7 (5.8)	43.4 (6.5)	170	24,130.00	25,028.33
2700 1.6CDTi BiTurbo (125PS) S/S ecoTEC BlueInjection	1818	1032	40.9 (6.9)	51.4 (5.5)	47.0 (6.0)	155	24,530.00	25,428.33
2700 1.6CDTi BiTurbo (145PS) S/S BlueInjection	1818	1032	39.8 (7.1)	50.4 (5.6)	46.3 (6.1)	160	25,330.00	26,228.33
2900 1.6CDTi (120PS) BlueInjection	1800	1190	36.2 (7.8)	48.7 (5.8)	43.4 (6.5)	170	24,630.00	25,528.33
2900 1.6CDTi BiTurbo (125PS) S/S ecoTEC BlueInjection	1818	1192	40.9 (6.9)	51.4 (5.5)	47.0 (6.0)	155	25,030.00	25,928.33
2900 1.6CDTi BiTurbo (145PS) S/S BlueInjection	1818	1192	39.8 (7.1)	50.4 (5.6)	46.3 (6.1)	160	25,830.00	26,728.33
L1 H1 LIMITED EDITION NAV PANEL VAN EURO 6B (6.1)								
2700 1.6CDTi BiTurbo (125PS) S/S ecoTEC BlueInjection	1818	1017	40.9 (6.9)	51.4 (5.5)	47.0 (6.0)	155	25,730.00	26,628.33
2700 1.6CDTi BiTurbo (145PS) S/S BlueInjection	1818	1017	39.8 (7.1)	50.4 (5.6)	46.3 (6.1)	160	26,530.00	27,428.33

Please note, Vivaro model and option availability is restricted as factory orders can no longer be accepted. Please check with your Vauxhall Retailer.

S/S = Start/Stop.

*For definitions please refer to Glossary of Terms.

[#]Fuel consumption data and CO₂ emission data are determined using the Worldwide harmonized Light vehicles Test Procedure (WLTP), and the relevant values are translated back to allow the comparability into NEDC, according to regulations R (EC) No. 715/2007, R (EU) No. 2017/1153 and R (EU) No. 2017/1151. The values do not take into account in particular use and driving conditions, equipment or options and may vary depending on the format of tyres. For more information on official fuel consumption and CO₂ emission values, please read the guidelines at <http://vanfueldata.dft.gov.uk/>

Vehicles with BlueInjection technology will need regular AdBlue[®] top-ups also between servicing requirements. An indicator integrated into the on-board computer will warn you when you need to top up. More information under www.vauxhall.co.uk/adblue. In accordance with regulations R (EC) No. 715/2007 and R (EC) No. 692/2008 (in the versions respectively applicable).

Please note: On-the-road recommended retail prices (RRP) include number plates and delivery to retailer of £583.33, 12 months' Vehicle Excise Duty (£260.00) and new vehicle first registration fee of £55.00. Excludes fuel and insurance.



VIVARO PANEL VAN PRICES

	Fuel economy mpg (litres/100km) [#]					CO ₂ (g/km) [#]	Price (£) exc. VAT	On-the-road RRP (£) exc. VAT
	Minimum Mass (kg)*	Maximum Payload (kg)*	Urban driving	Extra-urban driving	Combined figure			
L1 H2 PANEL VAN EURO 6B (6.1)								
2900 1.6CDTi BiTurbo (125PS) S/S ecoTEC BlueInjection	1897	1143	38.7 (7.3)	43.5 (6.5)	41.5 (6.8)	175	25,230.00	26,128.33
L2 H1 PANEL VAN EURO 6B (6.1)								
2900 1.6CDTi (95PS) BlueInjection	1825	1265	35.3 (8.0)	47 (6.0)	42.1 (6.7)	174	23,630.00	24,528.33
2900 1.6CDTi (95PS) S/S BlueInjection	1825	1265	38.7 (7.3)	48.7 (5.8)	44.8 (6.3)	164	23,825.00	24,723.33
2900 1.6CDTi (120PS) BlueInjection	1825	1265	35.3 (8.0)	47.0 (6.0)	42.1 (6.7)	174	24,230.00	25,128.33
2900 1.6CDTi BiTurbo (125PS) S/S ecoTEC BlueInjection	1835	1265	40.3 (7.0)	50.4 (5.6)	46.3 (6.1)	159	24,630.00	25,528.33
L2 H1 SPORTIVE PANEL VAN EURO 6B (6.1)								
2900 1.6CDTi (120PS) BlueInjection	1825	1235	35.3 (8.0)	47 (6.0)	42.1 (6.7)	174	25,430.00	26,328.33
2900 1.6CDTi BiTurbo (125PS) S/S ecoTEC BlueInjection	1835	1235	40.3 (7.0)	50.4 (5.6)	46.3 (6.1)	159	25,830.00	26,728.33
2900 1.6CDTi BiTurbo (145PS) S/S BlueInjection	1835	1235	39.2 (7.2)	48.7 (5.8)	44.8 (6.3)	164	26,630.00	27,528.33
L2 H1 LIMITED EDITION NAV PANEL VAN EURO 6B (6.1)								
2900 1.6CDTi BiTurbo (125PS) S/S ecoTEC BlueInjection	1835	1220	40.3 (7.0)	50.4 (5.6)	46.3 (6.1)	159	27,030.00	27,928.33
2900 1.6CDTi BiTurbo (145PS) S/S BlueInjection	1835	1220	39.2 (7.2)	48.7 (5.8)	44.8 (6.3)	164	27,830.00	28,728.33
L2 H2 PANEL VAN EURO 6B (6.1)								
2900 1.6CDTi BiTurbo (125PS) S/S ecoTEC BlueInjection	1945	1185	38.2 (7.4)	42.8 (6.6)	40.9 (6.9)	178	26,030.00	26,928.33

Please note, Vivaro model and option availability is restricted as factory orders can no longer be accepted. Please check with your Vauxhall Retailer.

S/S = Start/Stop.

*For definitions please refer to Glossary of Terms.

[#]Fuel consumption data and CO₂ emission data are determined using the Worldwide harmonized Light vehicles Test Procedure (WLTP), and the relevant values are translated back to allow the comparability into NEDC, according to regulations R (EC) No. 715/2007, R (EU) No. 2017/1153 and R (EU) No. 2017/1151. The values do not take into account in particular use and driving conditions, equipment or options and may vary depending on the format of tyres. For more information on official fuel consumption and CO₂ emission values, please read the guidelines at <http://vanfueldata.dft.gov.uk/>

Vehicles with BlueInjection technology will need regular AdBlue[®] top-ups also between servicing requirements. An indicator integrated into the on-board computer will warn you when you need to top up. More information under www.vauxhall.co.uk/blueinjection. In accordance with regulations R (EC) No. 715/2007 and R (EC) No. 692/2008 (in the versions respectively applicable).

Please note: On-the-road recommended retail prices (RRP) include number plates and delivery to retailer of £583.33 exc. VAT (£700.00 inc. VAT), 12 months' Vehicle Excise Duty (£260.00) and new vehicle first registration fee of £55.00. Excludes fuel and insurance.



VIVARO DOUBLECAB PRICES

	Fuel economy mpg (litres/100km) [#]						Price (£) exc. VAT	On-the-road RRP (£) exc. VAT	On-the-road RRP (£) inc. VAT
	Minimum Mass (kg)*	Maximum Payload (kg)*	Urban driving	Extra-urban driving	Combined figure	CO ₂ (g/km) [#]			
L1 H1 DOUBLECAB EURO 6B (6.1)									
2900 1.6CDTi (95PS) BlueInjection	1920	974	35.3 (8.0)	47.0 (6.0)	42.1 (6.7)	174	24,330.00	25,228.33	30,211.00
2900 1.6CDTi (95PS) S/S BlueInjection	1920	974	38.7 (7.3)	48.7 (5.8)	44.8 (6.3)	164	24,525.00	25,423.33	30,445.00
2900 1.6CDTi (120PS) BlueInjection	1920	974	35.3 (8.0)	47.0 (6.0)	42.1 (6.7)	174	24,930.00	25,828.33	30,931.00
2900 1.6CDTi BiTurbo (125PS) S/S ecoTEC BlueInjection	1930	974	40.3 (7.0)	50.4 (5.6)	46.3 (6.1)	159	25,330.00	26,228.33	31,411.00
L1 H1 SPORTIVE DOUBLECAB EURO 6B (6.1)									
2900 1.6CDTi (120PS) BlueInjection	1920	934	35.3 (8.0)	47.0 (6.0)	42.1 (6.7)	174	26,280.00	27,178.33	32,551.00
2900 1.6CDTi BiTurbo (125PS) S/S ecoTEC BlueInjection	1930	934	40.3 (7.0)	50.4 (5.6)	46.3 (6.1)	159	26,680.00	27,578.33	33,031.00
2900 1.6CDTi BiTurbo (145PS) S/S BlueInjection	1930	934	39.2 (7.2)	48.7 (5.8)	44.8 (6.3)	164	27,480.00	28,378.33	33,991.00
L1 H1 LIMITED EDITION NAV DOUBLECAB EURO 6B (6.1)									
2900 1.6CDTi BiTurbo (125PS) S/S ecoTEC BlueInjection	1930	919	40.3 (7.0)	50.4 (5.6)	46.3 (6.1)	159	27,880.00	28,778.33	34,471.00
2900 1.6CDTi BiTurbo (145PS) S/S BlueInjection	1930	919	39.2 (7.2)	48.7 (5.8)	44.8 (6.3)	164	28,680.00	29,578.33	35,431.00

Please note, Vivaro model and option availability is restricted as factory orders can no longer be accepted. Please check with your Vauxhall Retailer.

S/S = Start/Stop.

*For definitions please refer to Glossary of Terms.

[#]Fuel consumption data and CO₂ emission data are determined using the Worldwide harmonized Light vehicles Test Procedure (WLTP), and the relevant values are translated back to allow the comparability into NEDC, according to regulations R (EC) No. 715/2007, R (EU) No. 2017/1153 and R (EU) No. 2017/1151. The values do not take into account in particular use and driving conditions, equipment or options and may vary depending on the format of tyres. For more information on official fuel consumption and CO₂ emission values, please read the guidelines at <http://vanfueldata.dft.gov.uk/>

Vehicles with BlueInjection technology will need regular AdBlue[®] top-ups also between servicing requirements. An indicator integrated into the on-board computer will warn you when you need to top up. More information under www.vauxhall.co.uk/adblue. In accordance with regulations R (EC) No. 715/2007 and R (EC) No. 692/2008 (in the versions respectively applicable).

VAT reclaimable status requires a 1-tonne payload for Doublecabs according to HMRC. This payload calculation should take into consideration local UK Specification and Trim Level. Details enabling this determination are shown in the notes immediately below the weight tables shown in brochures and Price Guides. Ordered options may also impact available payload. Regarding VAT reclaimable status it is advisable that customers consult their local HMRC office or visit www.hmrc.co.uk for further details.

Please note: On-the-road recommended retail prices (RRP) include number plates and delivery to retailer of £583.33 exc. VAT (£700.00 inc. VAT), 12 months' Vehicle Excise Duty (£260.00) and new vehicle first registration fee of £55.00. Excludes fuel and insurance.



VIVARO DOUBLECAB PRICES

	Fuel economy mpg (litres/100km) [#]						Price (£) exc. VAT	On-the-road RRP (£) exc. VAT	On-the-road RRP (£) inc. VAT
	Minimum Mass (kg)*	Maximum Payload (kg)*	Urban driving	Extra-urban driving	Combined figure	CO ₂ (g/km) [#]			
L2 H1 DOUBLECAB EURO 6B (6.1)									
2900 1.6CDTi (95PS) BlueInjection	1975	1025	35.3 (8.0)	47.0 (6.0)	42.1 (6.7)	174	25,130.00	26,028.33	31,171.00
2900 1.6CDTi (95PS) S/S BlueInjection	1975	1025	38.7 (7.3)	48.7 (5.8)	44.8 (6.3)	164	25,325.00	26,223.33	31,405.00
2900 1.6CDTi (120PS) BlueInjection	1975	1025	35.3 (8.0)	47.0 (6.0)	42.1 (6.7)	174	25,730.00	26,628.33	31,891.00
2900 1.6CDTi BiTurbo (125PS) S/S ecoTEC BlueInjection	1985	1025	40.3 (7.0)	50.4 (5.6)	46.3 (6.1)	159	26,130.00	27,028.33	32,371.00
L2 H1 SPORTIVE DOUBLECAB EURO 6B (6.1)									
2900 1.6CDTi (120PS) BlueInjection	1975	985	35.3 (8.0)	47.0 (6.0)	42.1 (6.7)	174	27,080.00	27,978.33	33,511.00
2900 1.6CDTi BiTurbo (125PS) S/S ecoTEC BlueInjection	1985	985	40.3 (7.0)	50.4 (5.6)	46.3 (6.1)	159	27,480.00	28,378.33	33,991.00
2900 1.6CDTi BiTurbo (145PS) S/S BlueInjection	1985	985	39.2 (7.2)	48.7 (5.8)	44.8 (6.3)	164	28,280.00	29,178.33	34,951.00
L2 H1 LIMITED EDITION NAV DOUBLECAB EURO 6B (6.1)									
2900 1.6CDTi BiTurbo (125PS) S/S ecoTEC BlueInjection	1985	970	40.3 (7.0)	50.4 (5.6)	46.3 (6.1)	159	28,680.00	29,578.33	35,431.00
2900 1.6CDTi BiTurbo (145PS) S/S BlueInjection	1985	970	39.2 (7.2)	48.7 (5.8)	44.8 (6.3)	164	29,480.00	30,378.33	36,391.00

Please note, Vivaro model and option availability is restricted as factory orders can no longer be accepted. Please check with your Vauxhall Retailer.

S/S = Start/Stop.

*For definitions please refer to Glossary of Terms.

[#]Fuel consumption data and CO₂ emission data are determined using the Worldwide harmonized Light vehicles Test Procedure (WLTP), and the relevant values are translated back to allow the comparability into NEDC, according to regulations R (EC) No. 715/2007, R (EU) No. 2017/1153 and R (EU) No. 2017/1151. The values do not take into account in particular use and driving conditions, equipment or options and may vary depending on the format of tyres. For more information on official fuel consumption and CO₂ emission values, please read the guidelines at <http://vanfueldata.dft.gov.uk/>

Vehicles with BlueInjection technology will need regular AdBlue® top-ups also between servicing requirements. An indicator integrated into the on-board computer will warn you when you need to top up. More information under www.vauxhall.co.uk/adblue. In accordance with regulations R (EC) No. 715/2007 and R (EC) No. 692/2008 (in the versions respectively applicable).

VAT reclaimable status requires a 1-tonne payload for Doublecabs according to HMRC. This payload calculation should take into consideration local UK Specification and Trim Level. Details enabling this determination are shown in the notes immediately below the weight tables shown in brochures and Price Guides. Ordered options may also impact available payload. Regarding VAT reclaimable status it is advisable that customers consult their local HMRC office or visit www.hmrc.co.uk for further details.

Please note: On-the-road recommended retail prices (RRP) include number plates and delivery to retailer of £583.33 exc. VAT (£700.00 inc. VAT), 12 months' Vehicle Excise Duty (£260.00) and new vehicle first registration fee of £55.00. Excludes fuel and insurance.



VIVARO COMBI PRICES

	Fuel economy mpg (litres/100km) [#]					CO ₂ (g/km) [#]	Price (£) exc. VAT	On-the-road RRP (£) inc. VAT
	Minimum Mass (kg) [*]	Maximum Payload (kg) [*]	Urban driving	Extra-urban driving	Combined figure			
L1 H19-SEAT COMBI EURO 6C (6.2)								
2900 1.6CDTi (120PS) S/S BlueInjection	1986	879	37.6 (7.5)	53.3 (5.3)	46.3 (6.1)	161	25,943.33	32,742.00
L1 H19-SEAT COMBI+ EURO 6C (6.2)								
2900 1.6CDTi (120PS) S/S BlueInjection	1986	1031	37.6 (7.5)	53.3 (5.3)	46.3 (6.1)	161	28,643.33	35,982.00
L2 H19-SEAT COMBI EURO 6C (6.2)								
2900 1.6CDTi (120PS) S/S BlueInjection	2051	874	37.6 (7.5)	51.3 (5.5)	45.5 (6.2)	164	26,743.33	33,702.00
L2 H16-SEAT COMBI+ EURO 6C (6.2)								
2900 1.6CDTi (120PS) S/S BlueInjection	1993	1082	37.6 (7.5)	52.3 (5.4)	45.5 (6.2)	164	29,443.33	36,942.00

Please note, Vivaro model and option availability is restricted as factory orders can no longer be accepted. Please check with your Vauxhall Retailer.

S/S = Start/Stop.

*For definitions please refer to Glossary of Terms.

[#]Fuel consumption data and CO₂ emission data are determined using the Worldwide harmonized Light vehicles Test Procedure (WLTP), and the relevant values are translated back to allow the comparability into NEDC, according to regulations R (EC) No. 715/2007, R (EU) No. 2017/1153 and R (EU) No. 2017/1151. The values do not take into account in particular use and driving conditions, equipment or options and may vary depending on the format of tyres. For more information on official fuel consumption and CO₂ emission values, please read the guidelines at <http://vanfueldata.dft.gov.uk/>

Vehicles with BlueInjection technology will need regular AdBlue[®] top-ups also between servicing requirements. An indicator integrated into the on-board computer will warn you when you need to top up. More information under www.vauxhall.co.uk/adblue. In accordance with regulations R (EC) No. 715/2007 and R (EC) No. 692/2008 (in the versions respectively applicable).

Please note: On-the-road recommended retail prices (RRP) include number plates and delivery to retailer of £700.00 (inc.£116.67 VAT), 12 months' Vehicle Excise Duty (£855.00) and new vehicle first registration fee of £55.00. Excludes fuel and insurance.



VIVARO PLATFORM CAB PRICES

	Fuel economy mpg (litres/100km) [#]					CO ₂ (g/km) [#]	Price (£) exc. VAT	On-the-road RRP (£) exc. VAT
	Minimum Mass (kg)*	Maximum Payload (kg)*	Urban driving	Extra-urban driving	Combined figure			
L2 H1 PLATFORM CAB EURO 6B (6.1)								
2900 1.6CDTi BiTurbo (125PS) S/S ecoTEC BlueInjection	1616	1474	37.7 (7.5)	42.2 (6.7)	40.4 (7.0)	181	24,530.00	25,428.33
2900 1.6CDTi BiTurbo (145PS) S/S BlueInjection	1616	1474	37.7 (7.5)	42.2 (6.7)	40.4 (7.0)	181	25,330.00	26,228.33

Please note, Vivaro model and option availability is restricted as factory orders can no longer be accepted. Please check with your Vauxhall Retailer.

S/S = Start/Stop.

*For definitions please refer to Glossary of Terms.

[#]Fuel consumption data and CO₂ emission data are determined using the Worldwide harmonized Light vehicles Test Procedure (WLTP), and the relevant values are translated back to allow the comparability into NEDC, according to regulations R (EC) No. 715/2007, R (EU) No. 2017/1153 and R (EU) No. 2017/1151. The values do not take into account in particular use and driving conditions, equipment or options and may vary depending on the format of tyres. For more information on official fuel consumption and CO₂ emission values, please read the guidelines at <http://vanfueldata.dft.gov.uk/>

Vehicles with BlueInjection technology will need regular AdBlue[®] top-ups also between servicing requirements. An indicator integrated into the on-board computer will warn you when you need to top up. More information under www.vauxhall.co.uk/adblue. In accordance with regulations R (EC) No. 715/2007 and R (EC) No. 692/2008 (in the versions respectively applicable).

All conversions must follow 'Vauxhall Converter Requirements' including recommended dimensional data, detailed within Part 1, available at: www.converters-and-groupe-psa.com. The weight of any fitted conversion body will have to be deducted from these figures to establish actual payload and is subject to correct weight distribution. Variations from the recommended dimensions or weights may affect the vehicle's overall centre of gravity and stability. From 29 April 2013 conversion of N1 vehicles was affected by changes to type approval – for further information refer to the VCA website (N2 vehicles were affected from 29 October 2014). For further information please contact conversions@vauxhall.co.uk

Please note: On-the-road recommended retail prices (RRP) include number plates and delivery to retailer of £583.33 exc. VAT (£700.00 inc. VAT), 12 months' Vehicle Excise Duty (£260.00) and new vehicle first registration fee of £55.00. Excludes fuel and insurance.



VIVARO FEATURES/OPTIONS

SAFETY

	Option Code	Vivaro	Sportive	Limited Edition	Combi/Combi+	Price (£) exc. VAT	Price (£) inc. VAT
Driver / passenger airbags		●	●	●			
• Driver's airbag		●	●	●			
• Driver and front passenger's airbag – Front passengers' airbag with deactivation switch	AK5	○	○	○	●	245.00	
• Driver and front passengers' curtain airbags and driver's side-impact airbag	AWH	○	○	○	○	410.00	492.00
• Driver and single front passenger's curtain and side-impact airbags, front passenger's airbag with deactivation switch – Mandates single passenger seat.	AYO	○	○	○	○	610.00	732.00
Stability							
• Electronic Stability Programme–plus (ESP–plus) with traction control – Works in conjunction with the vehicle's electronic braking and engine systems to keep the vehicle stable in many different situations. ESP monitors a variety of inputs to determine when the vehicle starts to lose traction, it can then immediately respond by varying the brake pressure between up to three wheels and adjust the engine output to help correct the loss of traction and improve stability.		●	●	●	●		
Tyre pressure							
• Tyre pressure monitoring system	UJO	○	○	○	●	210.00	
Braking							
• Four-channel Anti-lock Braking System (ABS) – Prevents the vehicle's wheels from locking up under heavy braking by momentarily reducing brake pressure at the appropriate wheel, ensuring that you can maintain control of the steering.		●	●	●	●		
• Emergency brake assist – When emergency braking is detected the vehicle automatically applies the maximum possible braking assistance.		●	●	●	●		
• Electronic brakeforce distribution – Automatically apportions the optimum braking force to each wheel.		●	●	●	●		
• Hill start assist – Briefly maintains rear brake pressure to stop the vehicle rolling back on an incline.		●	●	●	●		



VIVARO FEATURES/OPTIONS

SAFETY CONTINUED

	Option Code	Vivaro	Sportive	Limited Edition	Combi/Combi+	Price (£) exc. VAT	Price (£) inc. VAT
Bulkhead							
• Full-height steel bulkhead without window – Standard on Panel Van.	AX6	●					
• Full-height ABS plastic bulkhead with window – Doublecab only.		●	●	●			
• Full-height steel bulkhead with window – Optional on Panel Van / Platform Cab models.	AX9	○				75.00	
FlexCargo load-through bulkhead – Panel Van only.							
• Dual front passengers' seat with storage, rotating clipboard and fold-flat centre • Load-through bulkhead	AYW	○	●	●		265.00	
• Dual front passengers' seat with storage, rotating clipboard and fold-flat centre • Load-through bulkhead with window	AYV	○				330.00	
• Dual front passengers' seat with storage, rotating clipboard and fold-flat centre • Load-through bulkhead with window	AYV		○	○		75.00	



VIVARO FEATURES/OPTIONS

SECURITY

	Option Code	Vivaro	Sportive	Limited Edition	Combi/Combi+	Price (£) exc. VAT	Price (£) inc. VAT
Standard security features		●	●	●	●		
• Electronic engine deadlock immobiliser • Steering column lock • Secure fuel filler flap							
• Internal lockable rear and sliding side-access doors • Anti-theft spare wheel cradle		●	●	●	●		
Remote control door locking (features depending on body type)		●	●	●	●		
• Remote control door locking • Two keys with integral remote • Door deadlocks							
Selective door locking							
• Two three-button keys with integral remote – Only available with one-touch facility for electrically operated windows.	AUX	○	●	●	○/●	205.00	246.00
• Third key with integral remote	K69	○	○	○	○	115.00	138.00
Keyless entry and start – H1 models only.							
• Keyless entry and start – Start/Stop models. Only available with electronic climate control (all models excluding Combi). Adds one-touch facility for electrically operated front-windows.	AVT	○	○	○	○/-	260.00	312.00
Security alarm system							
• Engine compartment protection • Ultrasonic detectors in load area • Siren • Thatcham Category 1 approved (TUL3-180/0116) – H1 models only. Not available on Platform Cab models.	XBGY	○	○	○	○	325.00	390.00



VIVARO FEATURES/OPTIONS

SEATING AND COMFORT

	Option Code	Vivaro	Sportive	Limited Edition	Combi/Combi+	Price (£) exc. VAT	Price (£) inc. VAT
Comfort <ul style="list-style-type: none"> • Height-adjustable steering wheel • Leather-covered steering wheel (Sportive / Limited Edition / Combi+ models) • Facia-mounted gear lever • Floor-mounted handbrake lever • Vinyl floor covering • Inertia-reel lap and diagonal seatbelts • Height-adjustable outer front seatbelts 		●	●	●	●		
Driver's seat <ul style="list-style-type: none"> • Height • Reach • Backrest recline • Driver's active safety head restraint • Height-adjustable padded head restraint • Driver's seat armrest 		●	●	●	●		
Dual front passengers' bench seat <ul style="list-style-type: none"> • Fixed position bench seat and backrest • Height-adjustable outer front padded head restraint • Fixed centre seat padded head restraint 		●			●/-		
Dual front passengers' seat with underseat storage <ul style="list-style-type: none"> • Fixed position bench seat and backrest • Height-adjustable outer front padded head restraint • Fixed centre seat padded head restraint - Doublecab / Combi models. 	AGE	○	●	●	○/●	175.00	210.00
Single front passenger's seat <ul style="list-style-type: none"> • Lumbar adjustment • Height • Reach • Backrest recline • Height-adjustable padded head restraint • Armrest - Sportive / Limited Edition Panel Van models will be supplied with full-height steel bulkhead when this option is specified. 	AGD	○	○	○	○	155.00	186.00
Heated front seats <ul style="list-style-type: none"> • Electrically heated driver and single front passenger seats – Only available with either single front passenger seat and curtain airbags / side-impact airbag options. 	KA1	○	○	○	○	160.00	192.00



VIVARO FEATURES/OPTIONS

SEATING AND COMFORT CONTINUED

	Option Code	Vivaro	Sportive	Limited Edition	Combi/Combi+	Price (£) exc. VAT	Price (£) inc. VAT
Seat trim		●			●/-		
• Blue Tricess cloth seat trim							
• Black Connect embossed cloth seat trim			●	●	-/●		
• Eco-Leather seat trim – 1.25mm thick Microfibre featuring improved anti-tear / scratch, acid / alkali and light resistance, making it a better choice for the environment of a commercial vehicle. • Driver and single front passenger seat (2 seats) – Panel Van. Only available when single front passenger seat is specified.	XIEQ		○	○		540.00	
• Eco-Leather seat trim – 1.25mm thick Microfibre featuring improved anti-tear / scratch, acid / alkali and light resistance, making it a better choice for the environment of a commercial vehicle. • Driver and dual front passenger bench seat (3 seats) – Panel Van.	XIER		○	○		720.00	
• Eco-Leather seat trim – 1.25mm thick Microfibre featuring improved anti-tear / scratch, acid / alkali and light resistance, making it a better choice for the environment of a commercial vehicle. • Driver, single front passenger and rear bench seat (5 seats) – Doublecab. Only available when single front passenger seat is specified.	XIES		○	○		1,125.00	
• Eco-Leather seat trim – 1.25mm thick Microfibre featuring improved anti-tear / scratch, acid / alkali and light resistance, making it a better choice for the environment of a commercial vehicle. • Driver, dual front passenger and rear bench seat (6 seats) – Doublecab.	XIET		○	○		1,323.00	



VIVARO FEATURES/OPTIONS

SEATING AND COMFORT CONTINUED

	Option Code	Vivaro	Sportive	Limited Edition	Combi/Combi+	Price (£) exc. VAT	Price (£) inc. VAT
Doublecab second-row seating • Three-individually contoured rear seats • Inertia-reel lap and diagonal seatbelts • Padded head restraints		●	●	●			
• Underseat storage • 12-volt accessory socket			●	●			
Combi second-row seating • Three-passenger removable bench seat • 60/40 split-folding seat back for easier access to third-row bench seat • Height-adjustable padded head restraints • Inertia-reel lap and diagonal seatbelts					●		
Combi third-row seating • Three-passenger bench seat • Height-adjustable padded head restraints • Fold and tumble feature for creating extra load area without removing seats • Removable rear seats • Inertia-reel lap and diagonal seatbelts • Armrests					●		



VIVARO FEATURES/OPTIONS

CABIN STORAGE

	Option Code	Vivaro	Sportive	Limited Edition	Combi/Combi+	Price (£) exc. VAT	Price (£) inc. VAT
Accessory sockets <ul style="list-style-type: none"> • Facia-mounted 12-volt accessory socket 		●	●	●	●		
Facia storage <ul style="list-style-type: none"> • Nine facia storage spaces offering more than 24 litres of storage • Storage compartment with lid above glovebox (no lid on Platform Cab models) • Illuminated glovebox • Three drinks holders • Coin holder 		●	●	●	●		
Front door pockets <ul style="list-style-type: none"> • Large door pockets with drinks holder 		●	●	●	●		



VIVARO FEATURES/OPTIONS

DRIVER ASSISTANCE

	Option Code	Vivaro	Sportive	Limited Edition	Combi/Combi+	Price (£) exc. VAT	Price (£) inc. VAT
Windscreen wipers • Two-speed windscreen wipers • Variable intermittent wipe • Electric screenwash		●	●	●	●		
Multi-function trip computer • Trip odometer • Vehicle range based on remaining fuel • Average speed • Average fuel economy • Instantaneous fuel economy • Driving time		●	●	●	●		
Parking assistance • Rear parking distance sensors	UD7	○	●	●	○	235.00	282.00
• Rear-view camera – H1 models only. Not available on Platform Cab models. Requires Sight and Light Pack (Sportive models).	UDS		○	○		295.00	
• Rear-view camera • Rear parking distance sensors – H1 models only. Not available on Platform Cab models. Requires Lighting Pack / Sight and Light Pack.	UDS	○			○	520.00	624.00
• Nearside blind spot / junction mirror located in front passenger sunvisor		●	●	●	●		
Cruise control, speed limiter	K34	○	●	●	○/●	260.00	312.00
Speed limiter • Choice of three speeds: 56mph / 62mph / 68mph – These are factory-fitted speed limiters that cannot be adjusted by driver.	KYJ (56mph) KYK (62mph) KYL (68mph)	○	○	○	○	85.00	102.00



VIVARO FEATURES/OPTIONS

DRIVER ASSISTANCE CONTINUED

	Option Code	Vivaro	Sportive	Limited Edition	Combi/Combi+	Price (£) exc. VAT	Price (£) inc. VAT
Instrumentation <ul style="list-style-type: none"> • Speedometer • Rev counter • Fuel gauge with low fuel warning light • Fuel economy gauge • Coolant temperature warning light 		●	●	●	●		
ECO features <ul style="list-style-type: none"> • Shift-up indicator – Indicates when to change gear for optimum fuel economy. 		●	●	●	●		
Driver information display: <ul style="list-style-type: none"> • Monochrome display located in instrument cluster • Odometer • Service-due indicator • Displays trip computer data 		●	●	●	●		
Central fascia display <ul style="list-style-type: none"> • Audio information • Digital clock with automatic RDS time adjustment • Outside air temperature with ice warning function • Additional features and location dependent on infotainment unit – See 'Infotainment' for details. 		●	●	●	●		
Warning indicators <ul style="list-style-type: none"> • Low oil level, low brake fluid, brake pad wear, battery, fuel filter, low AdBlue® level, seatbelt warning and doors open 		●	●	●	●		
Digital tachograph <ul style="list-style-type: none"> • Odometer display is changed from miles to kilometres – Digital tachograph only available with R 16 audio unit. Important: The digital tachograph must be specified at time of ordering as it cannot be fitted retrospectively. Option price does not include calibration which must be carried out at an approved tachograph centre within 14 days of the vehicle's registration. Please note: The legislation regarding the use of tachographs is complex and operators should seek independent advice or speak to the Commercial Vehicle specialist at your Vauxhall retailer to ensure compliance. Alternatively your local DVLA office will also be able to provide clarification of the relevant legislation. 	TGP	○			○	535.00	642.00



VIVARO FEATURES/OPTIONS

OPTION PACKS

	Option Code	Vivaro	Sportive	Limited Edition	Combi/Combi+	Price (£) exc. VAT	Price (£) inc. VAT
<p>Navigation Pack</p> <ul style="list-style-type: none"> • Satellite navigation – NAVI 50 IntelliLink. • Rear parking distance sensors • Rear-view camera • One-touch electrically operated front windows • Three-button key • Selective door locking <p>– H1 models only. Not available on Platform Cab models. Requires Lighting Pack / Sight and Light Pack.</p>	OEC	O			O	1,005.00	1,206.00
<p>Navigation Pack</p> <ul style="list-style-type: none"> • Satellite navigation – NAVI 50 IntelliLink. • Rear-view camera – Requires Sight and Light Pack. 	OEC		O			860.00	



VIVARO FEATURES/OPTIONS

INFOTAINMENT

	Option Code	Vivaro	Sportive	Limited Edition	Combi/Combi+	Price (£) exc. VAT	Price (£) inc. VAT
<p>R 16 BT USB</p> <p>Onboard features:</p> <ul style="list-style-type: none"> • DAB digital radio • AM/FM stereo radio with 6-station presets • RDS with Traffic Programme • Two speakers – Four on Combi models. • 20 watts per channel output <p>Media connections:</p> <ul style="list-style-type: none"> • USB connection with iPod control • Aux-in socket • Bluetooth® audio streaming (A2DP Profile) <p>Mobile phone portal:</p> <ul style="list-style-type: none"> • Bluetooth® connectivity • Handsfree calls via steering wheel controls • Vehicle microphone • Phone book access – Contacts/last calls/missed calls etc. (features dependent on mobile phone). 		●	N/C	N/C	●		
<p>CD 18 BT USB</p> <p>Onboard features:</p> <ul style="list-style-type: none"> • DAB digital radio • AM/FM stereo radio with 6-station presets • CD/MP3 CD player • RDS with Traffic Programme • Two speakers – Four on Combi models. • 20 watts per channel output <p>Media connections:</p> <ul style="list-style-type: none"> • USB connection with iPod control • Aux-in socket • Bluetooth® audio streaming (A2DP Profile) <p>Mobile phone portal:</p> <ul style="list-style-type: none"> • Bluetooth® connectivity • Handsfree calls via steering wheel controls • Vehicle microphone • Phone book access – Contacts/last calls/missed calls etc. (features dependent on mobile phone). 	2L2		●				
<p>NAVI 50 IntelliLink</p> <p>Not available when tachograph is specified.</p> <p>Onboard features:</p> <ul style="list-style-type: none"> • DAB digital radio • AM/FM stereo radio with 18-station presets • 7-inch facia-mounted colour touchscreen • RDS with Traffic Programme • Two speakers – Four on Combi models. • 20 watts per channel output <p>Navigation features:</p> <ul style="list-style-type: none"> • Satellite navigation system • 3D street level mapping • Major route mapping for Western Europe <p>Media connections:</p> <ul style="list-style-type: none"> • USB connection with iPod control • Aux-in socket • Bluetooth® audio streaming (A2DP Profile) • Siri voice control <p>Mobile phone portal:</p> <ul style="list-style-type: none"> • Bluetooth® connectivity • Handsfree calls via steering wheel controls • Vehicle microphone • Phone book access – Contacts / last calls / missed calls etc. are mirrored on the display and are easily navigated using the touchscreen (features dependent on mobile phone). Bluetooth® connectivity • Handsfree calls via steering wheel controls • Vehicle microphone • Phone book access – Contacts/last calls/missed calls etc. (features dependent on mobile phone). 	1oP	○	○	●	○	660.00	792.00

● = Standard equipment. ○ = Optional at extra cost. N/C = No-cost option.



VIVARO FEATURES/OPTIONS

INFOTAINMENT CONTINUED

	Option Code	Vivaro	Sportive	Limited Edition	Combi/Combi+	Price (£) exc. VAT	Price (£) inc. VAT
<p>NAVI 80 IntelliLink</p> <p>Only available in conjunction with cruise control. Not available when tachograph is specified.</p> <p>Onboard features:</p> <ul style="list-style-type: none"> • DAB digital radio • AM/FM stereo radio with 18-station presets • 7-inch facia-mounted colour touchscreen • RDS with Traffic Programme • Two speakers – Four on Combi models • 20 watts per channel output <p>Navigation features:</p> <ul style="list-style-type: none"> • Satellite navigation system • TomTom LIVE services (inclusive subscription for TomTom LIVE ends 31 December 2020, and cannot be renewed) • 3D street level mapping • Major route mapping for Western Europe • Traffic Information <p>Media connections:</p> <ul style="list-style-type: none"> • USB connection with iPod control • Aux-in socket • Bluetooth® audio streaming (A2DP Profile) • Integrated voice control <p>Mobile phone portal:</p> <ul style="list-style-type: none"> • Bluetooth® connectivity • Handsfree calls via steering wheel controls • Vehicle microphone • Phone book access – Contacts/last calls/missed calls etc. are mirrored on IntelliLink's display and are easily navigated using the touchscreen (features dependent on mobile phone). 	2L9	○	○	○	○	1,080.00	1,296.00
<p>Flexdock for smartphone / tablet</p> <ul style="list-style-type: none"> • Universal smartphone docking station (up to 4.7-inch) 	UV8	○	○	●	○	50.00	60.00
<ul style="list-style-type: none"> • Tablet docking station (up to 4.8 – 10.6 inch) – Only available with R 16 audio unit. 	B8L	○			○/-	70.00	84.00
<p>Additional features</p> <ul style="list-style-type: none"> • Steering column mounted audio controls • Flexible roof-mounted aerial 		●	●	●	●		



VIVARO FEATURES/OPTIONS

HEATING AND VENTILATION

	Option Code	Vivaro	Sportive	Limited Edition	Combi/Combi+	Price (£) exc. VAT	Price (£) inc. VAT
Cab heating <ul style="list-style-type: none"> • Four-speed fan • Illuminated controls • Four adjustable facia vents • Windscreen demist vents • Side window demist vents 		●	●	●	●		
Climate and Cruise Pack <ul style="list-style-type: none"> • Air conditioning with air recirculation facility (cab only) • CD 18 BT USB audio unit • Cruise control 	XAEB	○			O/-	770.00	924.00
Air conditioning – Cab only. <ul style="list-style-type: none"> • Air recirculation facility • Pollen filter • Illuminated controls • Chilled glovebox facility 	C60	○	●	●	O/-	750.00	900.00
Electronic climate control <ul style="list-style-type: none"> • Incorporating air conditioning • LCD temperature display • Automatic air direction and fan speed with manual override • Illuminated controls • Pollen filter • Chilled glovebox facility – Requires Lighting Pack. 	C68	○				890.00	
Electronic climate control <ul style="list-style-type: none"> • LCD temperature display • Automatic air direction and fan speed with manual override • Illuminated controls • Pollen filter • Chilled glovebox facility – Requires Sight and Light Pack. 	C68		○	○		260.00	
Air conditioning – Cab and saloon. <ul style="list-style-type: none"> • Air recirculation facility • Pollen filter • Illuminated controls • Chilled glovebox facility • Auxiliary heating ducts 	CJ5				O/●		1,272.00

Please note: The air conditioning in vehicles with N1 type approval relies upon fluorinated greenhouse gases (R134a) for its functioning. The front system contains a quantity of overall 580g of R134a, which corresponds to a CO₂ equivalent of 0.83 tons. The front and rear system contains a quantity of overall 890g of R134a, which corresponds to a CO₂ equivalent of 1.27 tons. The global warming potential amounts to 1430. Information acc. to R (EU) No. 517/2014.

● = Standard equipment. ○ = Optional at extra cost.



VIVARO FEATURES/OPTIONS

LOAD ACCESS

	Option Code	Vivaro	Sportive	Limited Edition	Combi/Combi+	Price (£) exc. VAT	Price (£) inc. VAT
Illuminated load / saloon area		●	●	●	●		
Nearside access – Panel Van only. Nearside side-access door: • Nearside sliding side-access door • Unglazed		●	●	●			
Offside access – Panel Van only. Offside side-access door: • Offside sliding side-access door • Unglazed	BSJ	○	○	○		300.00	
Nearside and offside access Side-access doors with fixed windows: • Fixed window to standard nearside side-access door • Offside side-access door • Fixed window to offside side-access door – Standard on Doublecab.	BSB	○	○	○	●/-	380.00	
Side-access doors with sliding windows: • Sliding window to standard nearside side-access door • Offside side-access door • Sliding window to offside side-access door – Panel Van models. Only available with glazed rear doors / tailgate.	BSC	○	○	○		430.00	
Side-access doors with sliding windows: • Sliding window to standard glazed nearside side-access door • Sliding window to standard glazed offside side-access door – Doublecab / Combi models.	BSC	○	○	○	○/●	60.00	72.00
Rear access Rear solid doors: • Twin rear doors • 90°/180° opening		●	●	●			
• Twin rear doors • 270° opening – Not available on L1 models.	7U4	○	○	○		250.00	
Rear glazed doors: • Glazed rear doors • 90°/180° opening – Only available with glazed bulkhead options.	J1X	○	○	○	○	85.00	102.00
• Glazed tailgate – Not available on H2 models. Only with glazed bulkhead and heated rear windows with wash/wipe facility options.	J1U	○	○	○	●	120.00	
• Heated rear windows with wash/wipe facility – Only with glazed rear door and tailgate options.	C25	○	○	○	●	60.00	

● = Standard equipment. ○ = Optional at extra cost.



VIVARO FEATURES/OPTIONS

LOAD RESTRAINT

	Option Code	Vivaro	Sportive	Limited Edition	Combi/Combi+	Price (£) exc. VAT	Price (£) inc. VAT
Load anchorage		●	●	●			
• Fixed floor-mounted load restraint lashing eyes							
Load lining							
• Full-height coated wooden load lining panels – H1 Panel Van only.	ERK	○	○	○		310.00	
• Full-height light plastic honeycomb load lining panels – H1 only.	B6H	○	○	○		305.00	
• Resin-coated laminate plywood load floor covering – H1 only.	B68	○	○	○		345.00	
• Resin-coated laminate plywood wheel arch protection – H1 only.	B65	○	○	○		210.00	



VIVARO FEATURES/OPTIONS

EXTERIOR LIGHTING

	Option Code	Vivaro	Sportive	Limited Edition	Combi/Combi+	Price (£) exc. VAT	Price (£) inc. VAT
Standard lighting <ul style="list-style-type: none"> Lights-on audible warning Electric headlight beam levelling Twin reversing lights Hazard warning lights Rear fog lights High-level brake light High-level tail lights Side-repeat indicators Daytime running lights – LED on Sportive / Limited Edition models. 		●	●	●	●		
<ul style="list-style-type: none"> Front fog lights – Chrome surround on Limited Edition models. 	T3U	○	●	●	○/●	120.00	144.00
Lighting Pack <ul style="list-style-type: none"> Static cornering lights Front fog lights Automatic lighting control Rain-sensitive windscreen wipers Door-to-door illumination 	XAEG	○			○/-	260.00	312.00
Sight and Light Pack <ul style="list-style-type: none"> Automatic lighting control Rain-sensitive windscreen wipers 	5BT		○	●	-/○	245.00	294.00



VIVARO FEATURES/OPTIONS

EXTERIOR CONVENIENCE / STYLING

	Option Code	Vivaro	Sportive	Limited Edition	Combi/Combi+	Price (£) exc. VAT	Price (£) inc. VAT
Exterior features • Unique styled graphics – Black or silver dependent on exterior colour. Please see Exterior Colours page.				●			
Appearance Pack One • Body-colour front bumper • Body-colour rear quarter bumpers – H2 models are only available when Glacier White or Platinum Silver colours are specified.	5LK	○	●		O/-	310.00	372.00
Appearance Pack – Sportive • Chrome-effect front grille • Body-colour rear bumper • Body-colour rear quarter bumpers • Body-colour side-protection mouldings • Body-colour mirror housings and sliding door rail cover • Body-colour D pillar and light surrounds	5LS		○	●		450.00	
Windows • Electrically operated front windows		●	●	●	●		
• One-touch facility for electrically operated windows	AXG	○	●	●	O/●	50.00	60.00
• Dark-tinted rear glazing – H1 models only. Only available with glazed rear doors / tailgate with heated windows and wash / wipe facility. Excludes Platform Cab.	AJS	○	○	○	O/●	360.00	432.00
Door mirrors • Foldable electrically adjustable/heated door mirrors • Wide-angle mirror on driver's side		●	●	●	●		
Paint finish • Special paint – Restrictions apply, please consult your Retailer for details.		○			O/-	At extra cost	



VIVARO FEATURES/OPTIONS

MECHANICAL

	Option Code	Vivaro	Sportive	Limited Edition	Combi/Combi+	Price (£) exc. VAT	Price (£) inc. VAT						
Transmission Six-speed manual gearbox: • Front-wheel drive • Transverse engine/gearbox		●	●	●	●								
Steering • Hydraulic power-assisted rack and pinion system • Energy absorbing steering column													
Turning circles <table border="1" style="display: inline-table; margin-left: 20px;"> <thead> <tr> <th></th> <th>Kerb-to-kerb</th> </tr> </thead> <tbody> <tr> <td>FWD L1</td> <td>11.8m (38.7ft.)</td> </tr> <tr> <td>FWD L2</td> <td>13.2m (43.3ft.)</td> </tr> </tbody> </table>		Kerb-to-kerb	FWD L1	11.8m (38.7ft.)	FWD L2	13.2m (43.3ft.)		●	●	●	●		
	Kerb-to-kerb												
FWD L1	11.8m (38.7ft.)												
FWD L2	13.2m (43.3ft.)												
Brakes Front ventilated disc brakes: • 296mm x 28mm Rear disc brakes: • 280mm x 12mm		●	●	●	●								
Power take-off • Engine driven power take-off • Six-pin / two-pin connector for conversions	V66/KPD	○	○	○		220.00							
Fuel tank • 80 litres (17.6 gallons) capacity		●	●	●	●								
AdBlue® tank • 22 litres (4.8 gallons) capacity		●	●	●	●								
Towing • Tow bar with 13-pin electrics • Trailer stability programme – Excludes Platform Cab models. Does not suit trailers with LED lights. For trailers with LED lights use genuine Vauxhall Accessory tow bars which also include trailer stability programme. Unless specific exemptions apply, vehicles operated with a trailer, where the combined weight of the vehicle, trailer and payload exceeds 3500kg, require a digital tachograph.	VR2	○	○	○		325.00	390.00						







VIVARO FEATURES/OPTIONS

MECHANICAL CONTINUED

	Option Code	Vivaro	Sportive	Limited Edition	Combi/Combi+	Price (£) exc. VAT	Price (£) inc. VAT
Electrical		●	●	●	●		
• 80Ah maintenance-free battery (70Ah on air conditioned models) • 185A alternator (150A on air conditioned models)							
• Second battery	XBEY	○				510.00	
CANbus interface							
Allows the vehicle's electrical systems to integrate with additional equipment.	KC6	○	○	○	○	135.00	162.00
Six-pin / two-pin electrical connector for conversions							
	KPD	○	○	○	○	60.00	72.00
Vehicle tracking							
A supplementary vehicle enhancement applied and supported by Masternaut as a 3rd Party Converter. This enhancement does not include Aftersales support. The enhancement is reversible. The telematics services are provided by Masternaut Limited ('Masternaut') and are subject to the end-user terms of Masternaut. Masternaut is an independent technology service provider. Vauxhall is not provider and not responsible for the telematics services offered by Masternaut.							
• Telematic box – Base	XIDM	○	○	○	○	215.00	258.00
• Telematic box – Premium	XIDN	○	○	○		280.00	336.00
Front suspension							
• MacPherson type • Independent double wishbones • Coil springs • Gas-pressure dampers		●	●	●	●		
Rear suspension							
• Independent four-link, progressive-rate mini-block springs • Gas-pressure dampers		●	●	●	●		



VIVARO EXTERIOR COLOURS







		Option Code	Vivaro	Sportive	Limited Edition	Combi/Combi+	Price (£) exc. VAT	Price (£) inc. VAT
Solid		Glacier White • Black alloy wheels / graphics on Limited Edition models	10U	●	●	●		
Brilliant		Flame Red • Black or silver alloy wheels / graphics on Limited Edition models	79U / 79Z					
		Spring Green • Black alloy wheels / graphics on Limited Edition models	10G / 10Z	○	N/C	N/C	○	320.00 384.00
		Iron Grey • Silver alloy wheels / graphics on Limited Edition models	10D					

The colours reproduced may vary slightly from the actual paint colour. As a result they should be used as a guide only. Your Vauxhall Retailer has a comprehensive display of our paint samples.

● = Standard equipment. ○ = Optional at extra cost. N/C = No-cost option.



VIVARO EXTERIOR COLOURS

		Option Code	Vivaro	Sportive	Limited Edition	Combi/Combi+	Price (£) exc. VAT	Price (£) inc. VAT
Two-coat	 <p>Panorama Blue metallic • Silver alloy wheels / graphics on Limited Edition models</p>	4UU						
	 <p>Cassiopeia Silver metallic • Silver alloy wheels / graphics on Limited Edition models</p>	10J						
	 <p>Jasper Brown metallic • Silver alloy wheels / graphics on Limited Edition models</p>	10E						
	 <p>Midnight Black metallic • Silver alloy wheels / graphics on Limited Edition models</p>	92U	O	N/C	N/C	O	450.00	540.00
	 <p>Copper Brown metallic • Silver alloy wheels / graphics on Limited Edition models</p>	10K						
	 <p>Platinum Silver metallic • Black alloy wheels / graphics on Limited Edition models</p>	10H						

The colours reproduced may vary slightly from the actual paint colour. As a result they should be used as a guide only. Your Vauxhall Retailer has a comprehensive display of our paint samples.

O = Optional at extra cost. N/C = No-cost option.




VIVARO WHEELS AND TYRES

	Option Code	Vivaro	Sportive	Limited Edition	Combi/Combi+	Price (£) exc. VAT	Price (£) inc. VAT
 <p>16-inch steel wheels with centre cap</p> <ul style="list-style-type: none"> • 205/65 R 16 tyres (1.6CDTi 95/120/125PS engines) • 215/65 R 16 tyres (1.6CDTi 145PS engines) • Full-size spare wheel 		●					
 <p>16-inch steel wheels with wheel trims</p> <ul style="list-style-type: none"> • 205/65 R 16 tyres (1.6CDTi 95/120/125PS engines) • 215/65 R 16 tyres (1.6CDTi 145PS engines) • Full-size spare wheel 			●		●		
 <p>17-inch black alloy wheels</p> <ul style="list-style-type: none"> • 215/60 R 17 tyres • 16-inch steel spare wheel – On Limited Edition models, wheel finish dependent on body colour. Please see Exterior Colours page. 				●			



VIVARO WHEELS AND TYRES

	Option Code	Vivaro	Sportive	Limited Edition	Combi/Combi+	Price (£) exc. VAT	Price (£) inc. VAT
 <p>17-inch silver alloy wheels</p> <ul style="list-style-type: none"> • 215/60 R 17 tyres • 16-inch steel spare wheel - Not available on H2 or Platform Cab models. - On Limited Edition models, wheel finish dependent on body colour. Please see Exterior Colours page. 	RS6	O	O	●		630.00	756.00
<p>All-season tyres</p> <ul style="list-style-type: none"> • 205/65 R 16 (All engines) 	NRK	O	O			215.00	258.00
<p>Tyre inflation kit in lieu of spare wheel – Not available on L2 Combi models.</p>	WTC	N/C	N/C	N/C	N/C/●	No-cost option	

Tyre Rating

Tyre size	Fuel efficiency group	Wet grip performance	External noise	
			Measured (dB)	Group
205/65 R 16	C-E	B-E	71-72	(C)
215/65 R 16	C	B	70	(C)
215/60 R 17	C	B	70	(C)

Tyre rating according to EU Regulation 1222/2009



VIVARO DIESEL ENGINES

Engine	1.6CDTi (95PS) BlueInjection with or without S/S	1.6CDTi (120PS) BlueInjection	1.6CDTi BiTurbo (125PS) ecoTEC BlueInjection S/S
Capacity	1598cc	1598cc	1598cc
Maximum power	95PS (70kW) @ 3500rpm	120PS (89kW) @ 3500rpm	125PS (92kW) @ 3500rpm
Maximum torque	260Nm (192 lb.ft.) @ 1500rpm	300Nm (221 lb.ft.) @ 1750rpm	320Nm (236 lb.ft.) @ 1500rpm
Configuration	4 cylinders, 4 valves per cylinder, double overhead camshafts	4 cylinders, 4 valves per cylinder, double overhead camshafts	4 cylinders, 4 valves per cylinder, double overhead camshafts
Fuel/induction system	Variable geometry turbocharger with intercooler. Common rail fuel injection	Variable geometry turbocharger with intercooler. Common rail fuel injection	Twin variable geometry turbochargers with intercoolers. Common rail fuel injection
Emission compliance	Euro 6b (6.1)	Euro 6c (6.2)	Euro 6b (6.1)
Service interval	25,000 miles or two-years (whichever occurs sooner)	25,000 miles or two-years (whichever occurs sooner)	25,000 miles or two-years (whichever occurs sooner)

Engine	1.6CDTi BiTurbo (145PS) BlueInjection S/S
Capacity	1598cc
Maximum power	145PS (107kW) @ 3500rpm
Maximum torque	340Nm (251 lb.ft.) @ 1750rpm
Configuration	4 cylinders, 4 valves per cylinder, double overhead camshafts
Fuel/induction system	Twin variable geometry turbochargers with intercoolers. Common rail fuel injection
Emission compliance	Euro 6b (6.1)
Service interval	25,000 miles or two-years (whichever occurs sooner)

S/S = Start/Stop.

Vehicles with BlueInjection technology will need regular AdBlue® top-ups also between servicing requirements. An indicator integrated into the on-board computer will warn you when you need to top up. More information under www.vauxhall.co.uk/adblue In accordance with regulations R (EC) No. 715/2007 and R (EC) No. 692/2008 (in the versions respectively applicable).



VIVARO PANEL VAN SPECIFICATIONS

VIVARO - PANEL VAN

	L1	L2
Loadspace Dimensions millimetres (inches)		
Maximum length at load floor	2537 (99.9)	2937 (115.6)
Maximum length with load-through facility maximum length to seat - Approximate.	2967 (116.8)	3367 (132.5)
Maximum length with load-through facility maximum length to front footwell - Approximate.	3750 (147.6)	4150 (163.4)
Maximum width	1662 (65.5)	1662 (65.5)
Width between wheel arches	1268 (49.9)	1268 (49.9)
Maximum height - H1	1387 (54.6)	1387 (54.6)
Maximum height - H2	1898 (74.7)	1898 (74.7)

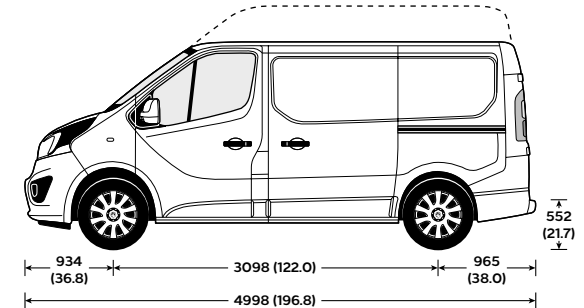
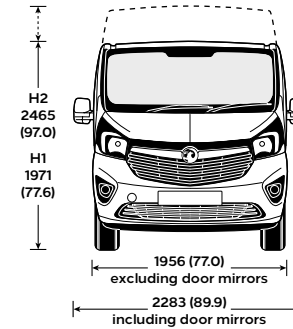
Loadspace Access millimetres (inches)		
Side door aperture height	1284 (50.5)	1284 (50.5)
Side door aperture width	1030 (40.5)	1030 (40.5)
Rear door aperture height - H1	1320 (52.0)	1320 (52.0)
Rear door aperture height - H2	1820 (71.6)	1820 (71.6)
Rear door aperture width	1391 (54.8)	1391 (54.8)
Loading height (unladen)	552 (21.7)	552 (21.7)

Loadspace Volumes cu.m (cu.ft.)		
H1 Panel Van	5.2 (183.6)	6.0 (211.9)
H2 Panel Van	7.2 (254.3)	8.6 (303.7)

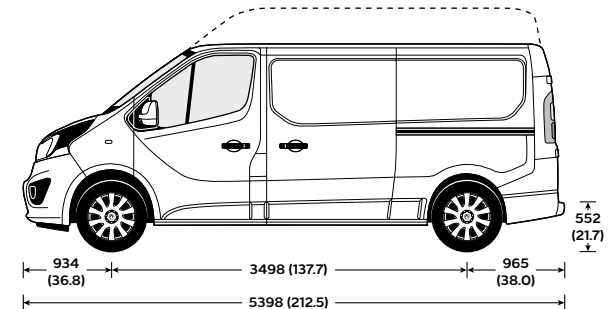
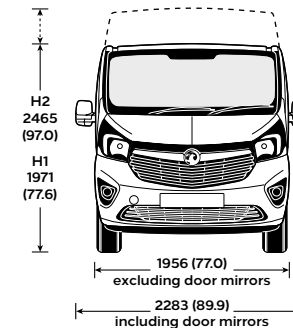
Plated Weights and Towing Data kg

Model		Gross Vehicle Weights (GVW)	Plated weights		Towing weights		Plated Gross Combination Weights (GCW)
			Front axle	Rear axle	Braked	Un-braked	
L1 H1/H2 Panel Van	2700	2800	1585	1650	2000	750	4800
	2700 BiTurbo	2820	1585	1650	2000	750	4820
	2900	2960	1585	1650	2000	750	4960
	2900 BiTurbo	2980	1585	1650	2000	750	4980
L2 H1 Panel Van	2900	3030	1585	1650	2000	750	5030
	2900 BiTurbo	3040	1585	1650	2000	750	5040
L2 H2 Panel Van	2900 BiTurbo	3070	1585	1650	2000	750	5070

Gross plated weights (including axle weights) quoted on the vehicle plate are to UK plated weight specification and must never be exceeded. For further information please see Glossary of Terms.
All measurements are in mm (inches) unless stated otherwise. Heights shown are unladen.



L1 H1/H2



L2 H1/H2



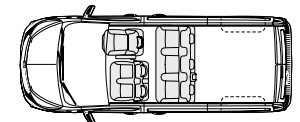
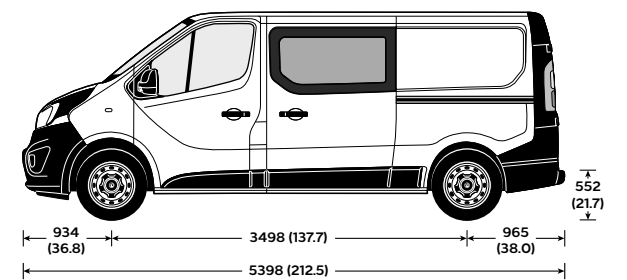
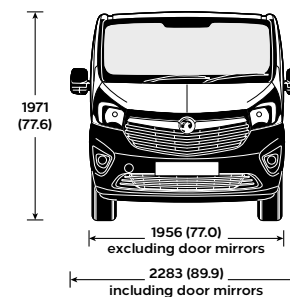
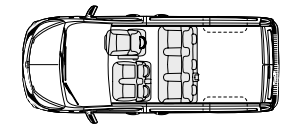
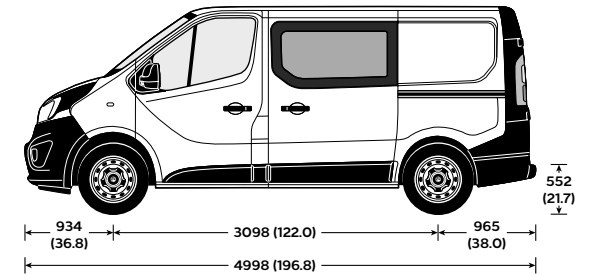
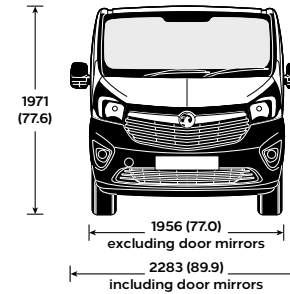
VIVARO DOUBLECAB SPECIFICATIONS

VIVARO - DOUBLECAB

	L1	L2
Loadspace Dimensions millimetres (inches)		
Maximum length at load floor	2023 (79.6)	2423 (95.4)
Maximum length behind rear seats	1340 (42.7)	1740 (68.5)
Maximum width	1662 (65.5)	1662 (65.5)
Width between wheel arches	1268 (49.9)	1268 (49.9)
Maximum height	1387 (54.6)	1387 (54.6)
Loadspace Access millimetres (inches)		
Side door aperture height	1284 (50.5)	1284 (50.5)
Side door aperture width	1030 (40.5)	1030 (40.5)
Rear door aperture height	1320 (52.0)	1320 (52.0)
Rear door aperture width	1391 (54.8)	1391 (54.8)
Loading height (unladen)	552 (21.7)	552 (21.7)
Loadspace Volumes cu.m (cu.ft.)		
Doublecab	3.2 (113.0)	4.0 (141.3)

Plated Weights and Towing Data kg

Model	Gross Vehicle Weights (GVW)	Plated weights		Towing weights		Plated Gross Combination Weights (GCW)	
		Front axle	Rear axle	Braked	Un-braked		
L1 H1 Doublecab	2900	2834	1585	1650	2000	750	4834
	2900 BiTurbo	2844	1585	1650	2000	750	4844
L2 H1 Doublecab	2900	2940	1585	1650	2000	750	4940
	2900 BiTurbo	2950	1585	1650	2000	750	4950



Gross plated weights (including axle weights) quoted on the vehicle plate are to UK plated weight specification and must never be exceeded. For further information please see Glossary of Terms.

All measurements are in mm (inches) unless stated otherwise. Heights shown are unladen.



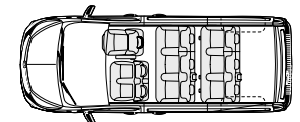
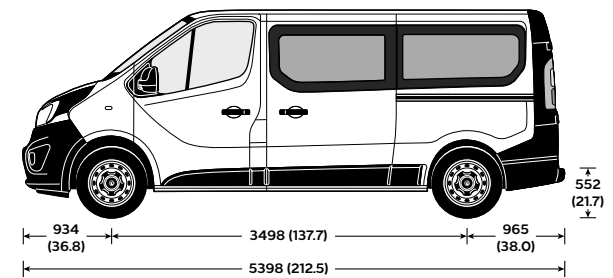
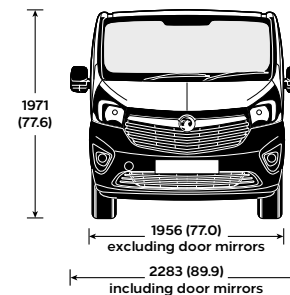
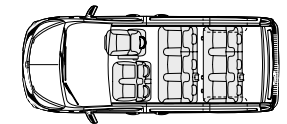
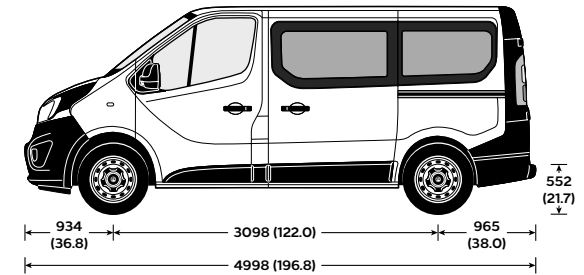
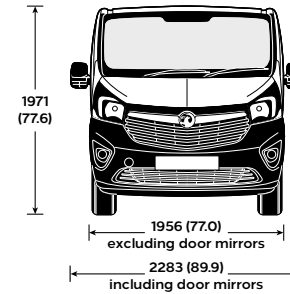
VIVARO COMBI SPECIFICATIONS

VIVARO - COMBI

	L1	L2
Loadspace Dimensions millimetres (inches)		
Maximum length behind rear seats	736 (30.0)	1136 (44.7)
Maximum width	1662 (65.5)	1662 (65.5)
Width between wheel arches	1268 (49.9)	1268 (49.9)
Maximum height	1369 (53.9)	1369 (53.9)
Loadspace Access millimetres (inches)		
Side door aperture height	1284 (50.5)	1284 (50.5)
Side door aperture width	1030 (40.5)	1030 (40.5)
Rear door aperture height	1320 (52.0)	1320 (52.0)
Rear door aperture width (at floor)	1391 (54.8)	1391 (54.8)
Loading height (unladen)	552 (21.7)	552 (21.7)
Loadspace Volumes cu.m (cu.ft.)		
Combi	1.0 (35.3)	1.8 (63.6)
Combi - third-row seats down	2.1 (74.2)	2.9 (102.4)
Combi - third-row seats removed	3.2 (113.0)	4.0 (141.3)

Plated Weights and Towing Data kg

Model		Gross Vehicle Weights (GVW)	Plated weights		Towing weights		Plated Gross Combination Weights (GCW)
			Front axle	Rear axle	Braked	Un-braked	
L1 H1 Combi	2900	2830	1585	1650	2000	750	4830
L2 H1 Combi	2900	2890	1585	1650	2000	750	4890
L1 H1 / L2 H1 Combi+	2900	3030	1585	1650	2000	750	5030



Gross plated weights (including axle weights) quoted on the vehicle plate are to UK plated weight specification and must never be exceeded. For further information please see Glossary of Terms.

All measurements are in mm (inches) unless stated otherwise. Heights shown are unladen.



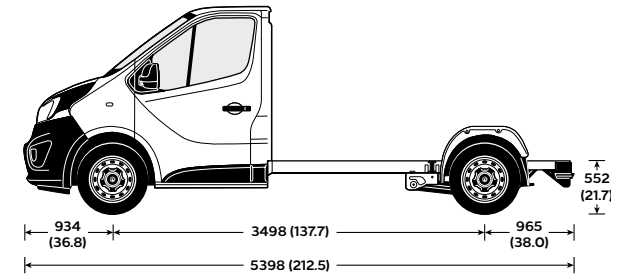
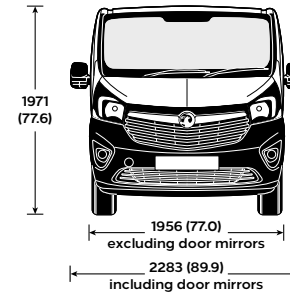
VIVARO PLATFORM CAB SPECIFICATIONS

Platform cabs

Platform cabs are ideal for those conversions requiring a low floor and walk-through access from the cab. The interface panel makes for easy integration of the cab with the conversion body, while an extended-length wiring loom is available to power the rear lights or extended conversions.

Plated Weights and Towing Data kg

Model	Gross Vehicle Weights (GVW)	Plated weights		Towing weights		Plated Gross Combination Weights (GCW)	
		Front axle	Rear axle	Braked	Un-braked		
L2 H1 Platform Cab	2900 BiTurbo	3030	1585	1735	2000	750	5030



L2 H1

Gross plated weights (including axle weights) quoted on the vehicle plate are to UK plated weight specification and must never be exceeded. For further information please see Glossary of Terms.

All conversions must follow 'Conversion Requirements' available on: www.converters-and-groupe-psa.com

All measurements are in mm (inches) unless stated otherwise. Heights shown are unladen.



VIVARO ACCESSORIES

SAFETY	Total (exc. VAT)	ROOF CARRIER SYSTEM	Total (exc. VAT)
Safety pack – first aid kit, warning triangle, hi-visibility vest	£31	Base carrier	£138
First aid kit	£13	– H1 aluminium	£167
Warning triangle (large)	£17	– H2 aluminium	£126
Hi-visibility vest	£8	– H1 steel (black)	£159
Fire extinguisher – 2kg	£58	– H2 steel (black)	£159
Temporary tyre repair kit	£191	L1 H1	
		– roof rack tray	from £706
		– walkway (swing doors)	from £227
PRACTICAL		L2 H1 swing doors	
Premium spare bulb kit	£23	– roof rack tray steel (black)	£764
Stretch tow rope – 3 tonne	£30	– walkway	from £267
Side step		L1 H2	
– L1	£252	– roof rack tray	from £651
– L2	£264	– walkway	from £227
SECURITY		L2 H2 swing doors	
Security alarm system	£317	– roof rack tray	from £696
Window Grilles		– walkway	from £260
– Rear tailgate	£214	Roof carrier ladder	
– Rear swing doors	£199	– H1	from £329
– Right sliding door	£211	– H2	from £368
– Left sliding door	£190		
PROTECTION		TOWING¹	
Rubber mats front	£37	Fixed tow bar with 7-pin electrics	£687
Carpet mats front	£58	Fixed heavy-duty tow bar with 7-pin electrics	£948
Seat Covers – driver & single passenger seat		Removable tow bar with 7-pin electrics	£924
– SuperAquila	£159	Fixed tow bar with 13-pin electrics	£719
PROTECTION – LOAD AREA		Fixed heavy-duty tow bar with 13-pin electrics	£980
Plywood floor panel	from £265	Removable tow bar with 13-pin electrics	£956
Plywood side panel	from £303		
PROTECTION – EXTERIOR			
Mudflaps – set of four	£111		
Protective wheel arch mouldings	from £96		
Rear bumper protector	£106		
Rear door protectors – swing doors	£71		

Please note: Prices shown are fully fitted and painted where applicable. All prices are exclusive of VAT. It is advisable to ensure your insurance policy is adequate to cover additional fitted accessories. Prices correct at time of publication.

¹ = Prices for standard vehicles only.



MOVANO PANEL VAN PRICES

	Fuel economy mpg (litres/100km) [#]					CO ₂ (g/km) [#]	Price (£) exc. VAT	On-the-road RRP (£) exc. VAT
	Minimum Mass (kg)*	Maximum Payload (kg)*	Urban driving	Extra-urban driving	Combined figure			
L1 H1 FWD PANEL VAN EURO 6B (6.1)								
2800 2.3CDTi (110PS) BlueInjection	1927	858	32.1 (8.8)	40.4 (7.0)	36.7 (7.7)	201	25,395.00	26,293.33
2800 2.3CDTi (130PS) BlueInjection	1927	858	32.1 (8.8)	40.4 (7.0)	36.7 (7.7)	201	26,195.00	27,093.33
3300 2.3CDTi (110PS) BlueInjection	1932	1353	32.1 (8.8)	40.4 (7.0)	36.7 (7.7)	201	26,645.00	27,543.33
3300 2.3CDTi (130PS) BlueInjection	1932	1353	32.1 (8.8)	40.4 (7.0)	36.7 (7.7)	201	27,445.00	28,343.33
3500 2.3CDTi (110PS) BlueInjection	1937	1548	32.1 (8.8)	40.4 (7.0)	36.7 (7.7)	201	27,295.00	28,193.33
3500 2.3CDTi (130PS) BlueInjection	1937	1548	32.1 (8.8)	40.4 (7.0)	36.7 (7.7)	201	28,095.00	28,993.33
3500 2.3CDTi BiTurbo (145PS) S/S BlueInjection	1946	1539	38.2 (7.4)	42.8 (6.6)	40.9 (6.9)	179	29,205.00	30,103.33
L1 H2 FWD PANEL VAN EURO 6B (6.1)								
2800 2.3CDTi (110PS) BlueInjection	1955	830	31.7 (8.9)	39.8 (7.1)	36.2 (7.8)	204	25,995.00	26,893.33
2800 2.3CDTi (130PS) BlueInjection	1955	830	31.7 (8.9)	39.8 (7.1)	36.2 (7.8)	204	26,795.00	27,693.33
3300 2.3CDTi (110PS) BlueInjection	1960	1325	31.7 (8.9)	39.8 (7.1)	36.2 (7.8)	204	27,245.00	28,143.33
3300 2.3CDTi (130PS) BlueInjection	1960	1325	31.7 (8.9)	39.8 (7.1)	36.2 (7.8)	204	28,045.00	28,943.33
3500 2.3CDTi (110PS) BlueInjection	1965	1520	31.7 (8.9)	39.8 (7.1)	36.2 (7.8)	204	27,895.00	28,793.33
3500 2.3CDTi (130PS) BlueInjection	1965	1520	31.7 (8.9)	39.8 (7.1)	36.2 (7.8)	204	28,695.00	29,593.33
3500 2.3CDTi BiTurbo (145PS) S/S BlueInjection	1974	1511	37.2 (7.6)	42.2 (6.7)	40.4 (7.0)	183	29,805.00	30,703.33

Please note, Movano model and option availability is restricted as factory orders can no longer be accepted. Please check with your Vauxhall Retailer.

S/S = Start/Stop.

*For definitions please refer to Glossary of Terms.

[#]Fuel consumption data and CO₂ emission data are determined using the Worldwide harmonized Light vehicles Test Procedure (WLTP), and the relevant values are translated back to allow the comparability into NEDC, according to regulations R (EC) No. 715/2007, R (EU) No. 2017/1153 and R (EU) No. 2017/1151. The values do not take into account in particular use and driving conditions, equipment or options and may vary depending on the format of tyres. For more information on official fuel consumption and CO₂ emission values, please read the guidelines at <http://vanfueldata.dft.gov.uk/>

Vehicles with BlueInjection technology will need regular AdBlue[®] top-ups also between servicing requirements. An indicator integrated into the on-board computer will warn you when you need to top up. More information under www.vauxhall.co.uk/adblue. In accordance with regulations R (EC) No. 715/2007 and R (EC) No. 692/2008 (in the versions respectively applicable).

Please note: On-the-road recommended retail prices (RRP) include number plates and delivery to retailer of £583.33 (exc. VAT), 12 months' Vehicle Excise Duty at £260.00 and new vehicle first registration fee of £55.00. Excludes fuel and insurance.



MOVANO PANEL VAN PRICES

	Fuel economy mpg (litres/100km) [#]					CO ₂ (g/km) [#]	Price (£) exc. VAT	On-the-road RRP (£) exc. VAT
	Minimum Mass (kg)*	Maximum Payload (kg)*	Urban driving	Extra-urban driving	Combined figure			
L2 H2 FWD PANEL VAN EURO 6B (6.1)								
3300 2.3CDTi (110PS) BlueInjection	2004	1281	31.7 (8.9)	39.8 (7.1)	36.2 (7.8)	204	28,600.00	29,498.33
3300 2.3CDTi (130PS) BlueInjection	2004	1281	31.7 (8.9)	39.8 (7.1)	36.2 (7.8)	204	29,400.00	30,298.33
3500 2.3CDTi (110PS) BlueInjection	2009	1476	31.7 (8.9)	39.8 (7.1)	36.2 (7.8)	204	29,250.00	30,148.33
3500 2.3CDTi (110PS) S/S BlueInjection	2009	1476	34.9 (8.1)	39.8 (7.1)	37.7 (7.5)	194	29,540.00	30,438.33
3500 2.3CDTi (130PS) BlueInjection	2009	1476	31.7 (8.9)	39.8 (7.1)	36.2 (7.8)	204	30,050.00	30,948.33
3500 2.3CDTi BiTurbo (145PS) S/S BlueInjection	2018	1467	37.2 (7.6)	42.2 (6.7)	40.4 (7.0)	183	31,160.00	32,058.33
3500 2.3CDTi BiTurbo (170PS) S/S Tecshift BlueInjection	2018	1467	36.2 (7.8)	40.9 (6.9)	39.2 (7.2)	187	33,285.00	34,183.33
L2 H3 FWD PANEL VAN EURO 6B (6.1)								
3500 2.3CDTi (110PS) BlueInjection	2050	1435	31.7 (8.9)	39.8 (7.1)	36.2 (7.8)	204	29,950.00	30,848.33
3500 2.3CDTi (130PS) BlueInjection	2050	1435	31.7 (8.9)	39.8 (7.1)	36.2 (7.8)	204	30,750.00	31,648.33
3500 2.3CDTi BiTurbo (145PS) S/S BlueInjection	2059	1426	37.2 (7.6)	42.2 (6.7)	40.4 (7.0)	183	31,860.00	32,758.33
3500 2.3CDTi BiTurbo (170PS) S/S Tecshift BlueInjection	2059	1426	36.2 (7.8)	40.9 (6.9)	39.2 (7.2)	187	33,985.00	34,883.33
L3 H2 FWD PANEL VAN EURO 6B (6.1)								
3500 2.3CDTi (110PS) BlueInjection	2090	1395	31.4 (9.0)	39.2 (7.2)	35.8 (7.9)	207	29,950.00	30,848.33
3500 2.3CDTi (110PS) S/S BlueInjection	2090	1395	34.4 (8.2)	39.2 (7.2)	37.2 (7.6)	197	30,240.00	31,138.33
3500 2.3CDTi (130PS) BlueInjection	2090	1395	31.4 (9.0)	39.2 (7.2)	35.8 (7.9)	207	30,750.00	31,648.33
3500 2.3CDTi BiTurbo (145PS) S/S BlueInjection	2099	1386	36.2 (7.8)	41.5 (6.8)	39.2 (7.2)	186	31,860.00	32,758.33
3500 2.3CDTi BiTurbo (170PS) S/S BlueInjection	2099	1386	36.7 (7.7)	40.4 (7.0)	38.7 (7.3)	189	33,110.00	34,008.33
3500 2.3CDTi BiTurbo (170PS) S/S Tecshift BlueInjection	2099	1386	35.8 (7.9)	40.4 (7.0)	38.7 (7.3)	189	33,985.00	34,883.33

Please note, Movano model and option availability is restricted as factory orders can no longer be accepted. Please check with your Vauxhall Retailer.

S/S = Start/Stop.

*For definitions please refer to Glossary of Terms.

[#]Fuel consumption data and CO₂ emission data are determined using the Worldwide harmonized Light vehicles Test Procedure (WLTP), and the relevant values are translated back to allow the comparability into NEDC, according to regulations R (EC) No. 715/2007, R (EU) No. 2017/1153 and R (EU) No. 2017/1151. The values do not take into account in particular use and driving conditions, equipment or options and may vary depending on the format of tyres. For more information on official fuel consumption and CO₂ emission values, please read the guidelines at <http://vanfueldata.dft.gov.uk/>

Vehicles with BlueInjection technology will need regular AdBlue® top-ups also between servicing requirements. An indicator integrated into the on-board computer will warn you when you need to top up. More information under www.vauxhall.co.uk/adblue. In accordance with regulations R (EC) No. 715/2007 and R (EC) No. 692/2008 (in the versions respectively applicable).

Please note: On-the-road recommended retail prices (RRP) include number plates and delivery to retailer of £583.33 (exc. VAT), 12 months' Vehicle Excise Duty at £260.00 and new vehicle first registration fee of £55.00. Excludes fuel and insurance.



MOVANO PANEL VAN PRICES

	Fuel economy mpg (litres/100km) [#]						Price (£) exc. VAT	On-the-road RRP (£) exc. VAT
	Minimum Mass (kg)*	Maximum Payload (kg)*	Urban driving	Extra-urban driving	Combined figure	CO ₂ (g/km) [#]		
L3 H3 FWD PANEL VAN EURO 6B (6.1)								
3500 2.3CDTi (110PS) BlueInjection	2130	1355	31.4 (9.0)	39.2 (7.2)	35.8 (7.9)	207	30,650.00	31,548.33
3500 2.3CDTi (130PS) BlueInjection	2130	1355	31.4 (9.0)	39.2 (7.2)	35.8 (7.9)	207	31,450.00	32,348.33
3500 2.3CDTi BiTurbo (145PS) S/S BlueInjection	2139	1346	36.2 (7.8)	41.5 (6.8)	39.2 (7.2)	186	32,560.00	33,458.33
L3 H2 RWD PANEL VAN (EURO VIc)								
3500 2.3CDTi BiTurbo (130PS) BlueInjection	2356	1129	30.4 (9.3)	32.5 (8.7)	31.4 (9.0)	232	32,050.00	32,948.33
3500 2.3CDTi BiTurbo (145PS) S/S BlueInjection	2356	1129	34.4 (8.2)	34.9 (8.1)	34.4 (8.2)	212	33,160.00	34,058.33
3500 HD 2.3CDTi BiTurbo (130PS) BlueInjection	2375	1110	29.4 (9.6)	30.7 (9.2)	30.4 (9.3)	242	32,650.00	33,548.33
3500 HD 2.3CDTi BiTurbo (145PS) S/S BlueInjection	2375	1110	33.2 (8.5)	32.8 (8.6)	32.8 (8.6)	222	33,760.00	34,658.33
4500 HD 2.3CDTi BiTurbo (130PS) Tacho BlueInjection	2375	2110	N/A (N2)	N/A (N2)	N/A (N2)	N/A (N2)	34,305.00	35,108.33
4500 HD 2.3CDTi BiTurbo (163PS) S/S Tacho BlueInjection	2375	2110	N/A (N2)	N/A (N2)	N/A (N2)	N/A (N2)	36,665.00	37,468.33
L3 H3 RWD PANEL VAN (EURO VIc)								
3500 2.3CDTi BiTurbo (130PS) BlueInjection	2356	1129	30.4 (9.3)	32.5 (8.7)	31.4 (9.0)	232	32,750.00	33,648.33
3500 2.3CDTi BiTurbo (145PS) S/S BlueInjection	2356	1129	34.4 (8.2)	34.9 (8.1)	34.4 (8.2)	212	33,860.00	34,758.33
3500 HD 2.3CDTi BiTurbo (130PS) BlueInjection	2408	1077	29.4 (9.6)	30.7 (9.2)	30.4 (9.3)	242	33,350.00	34,248.33
3500 HD 2.3CDTi BiTurbo (145PS) S/S BlueInjection	2408	1077	33.2 (8.5)	32.8 (8.6)	32.8 (8.6)	222	34,460.00	35,358.33
4500 HD 2.3CDTi BiTurbo (130PS) Tacho BlueInjection	2408	2077	N/A (N2)	N/A (N2)	N/A (N2)	N/A (N2)	35,005.00	35,808.33
4500 HD 2.3CDTi BiTurbo (163PS) S/S Tacho BlueInjection	2408	2077	N/A (N2)	N/A (N2)	N/A (N2)	N/A (N2)	37,365.00	38,168.33

Please note, Movano model and option availability is restricted as factory orders can no longer be accepted. Please check with your Vauxhall Retailer.

S/S = Start/Stop.

*For definitions please refer to Glossary of Terms.

[#]Fuel consumption data and CO₂ emission data are determined using the Worldwide harmonized Light vehicles Test Procedure (WLTP), and the relevant values are translated back to allow the comparability into NEDC, according to regulations R (EC) No. 715/2007, R (EU) No. 2017/1153 and R (EU) No. 2017/1151. The values do not take into account in particular use and driving conditions, equipment or options and may vary depending on the format of tyres. For more information on official fuel consumption and CO₂ emission values, please read the guidelines at <http://vanfueldata.dft.gov.uk/>

Vehicles with BlueInjection technology will need regular AdBlue® top-ups also between servicing requirements. An indicator integrated into the on-board computer will warn you when you need to top up. More information under www.vauxhall.co.uk/adblue. In accordance with regulations R (EC) No. 715/2007 and R (EC) No. 692/2008 (in the versions respectively applicable).

Please note: On-the-road recommended retail prices (RRP) include number plates and delivery to retailer of £583.33 (exc. VAT), 12 months' Vehicle Excise Duty at £260.00 (£165.00 on 4500kg models) and new vehicle first registration fee of £55.00. Excludes fuel and insurance



MOVANO PANEL VAN PRICES

	Fuel economy mpg (litres/100km) [#]						Price (£) exc. VAT	On-the-road RRP (£) exc. VAT
	Minimum Mass (kg)*	Maximum Payload (kg)*	Urban driving	Extra-urban driving	Combined figure	CO ₂ (g/km) [#]		
L4 H2 RWD PANEL VAN (EURO VIc)								
3500 2.3CDTi BiTurbo (130PS) BlueInjection	2398	1087	30.4 (9.3)	32.5 (8.7)	31.4 (9.0)	232	32,950.00	33,848.33
3500 2.3CDTi BiTurbo (145PS) S/S BlueInjection	2398	1087	34.4 (8.2)	34.9 (8.1)	34.4 (8.2)	212	34,060.00	34,958.33
3500 2.3CDTi BiTurbo (163PS) S/S BlueInjection	2398	1087	34.4 (8.2)	34.9 (8.1)	34.4 (8.2)	212	35,310.00	36,208.33
3500 HD 2.3CDTi BiTurbo (130PS) BlueInjection	2453	1032	29.4 (9.6)	30.7 (9.2)	30.4 (9.3)	242	33,550.00	34,448.33
3500 HD 2.3CDTi BiTurbo (145PS) S/S BlueInjection	2453	1032	33.2 (8.5)	32.8 (8.6)	32.8 (8.6)	222	34,660.00	35,558.33
4500 HD 2.3CDTi BiTurbo (130PS) Tacho BlueInjection	2453	2032	N/A (N2)	N/A (N2)	N/A (N2)	N/A (N2)	35,205.00	36,008.33
4500 HD 2.3CDTi BiTurbo (163PS) S/S Tacho BlueInjection	2453	2032	N/A (N2)	N/A (N2)	N/A (N2)	N/A (N2)	37,565.00	38,368.33
L4 H3 RWD PANEL VAN (EURO VIc)								
3500 2.3CDTi BiTurbo (130PS) BlueInjection	2429	1056	30.4 (9.3)	32.5 (8.7)	31.4 (9.0)	232	33,650.00	34,548.33
3500 2.3CDTi BiTurbo (145PS) S/S BlueInjection	2429	1056	34.4 (8.2)	34.9 (8.1)	34.4 (8.2)	212	34,760.00	35,658.33
3500 2.3CDTi BiTurbo (163PS) S/S BlueInjection	2429	1056	34.4 (8.2)	34.9 (8.1)	34.4 (8.2)	212	36,010.00	36,908.33
3500 HD 2.3CDTi BiTurbo (130PS) BlueInjection	2495	990	29.4 (9.6)	30.7 (9.2)	30.4 (9.3)	242	34,250.00	35,148.33
3500 HD 2.3CDTi BiTurbo (145PS) S/S BlueInjection	2495	990	33.2 (8.5)	32.8 (8.6)	32.8 (8.6)	222	35,360.00	36,258.33
4500 HD 2.3CDTi BiTurbo (130PS) Tacho BlueInjection	2495	1990	N/A (N2)	N/A (N2)	N/A (N2)	N/A (N2)	35,905.00	36,708.33
4500 HD 2.3CDTi BiTurbo (163PS) S/S Tacho BlueInjection	2495	1990	N/A (N2)	N/A (N2)	N/A (N2)	N/A (N2)	38,265.00	39,068.33

Please note, Movano model and option availability is restricted as factory orders can no longer be accepted. Please check with your Vauxhall Retailer.

S/S = Start/Stop.

*For definitions please refer to Glossary of Terms.

[#]Fuel consumption data and CO₂ emission data are determined using the Worldwide harmonized Light vehicles Test Procedure (WLTP), and the relevant values are translated back to allow the comparability into NEDC, according to regulations R (EC) No. 715/2007, R (EU) No. 2017/1153 and R (EU) No. 2017/1151. The values do not take into account in particular use and driving conditions, equipment or options and may vary depending on the format of tyres. For more information on official fuel consumption and CO₂ emission values, please read the guidelines at <http://vanfueldata.dft.gov.uk/>

Vehicles with BlueInjection technology will need regular AdBlue® top-ups also between servicing requirements. An indicator integrated into the on-board computer will warn you when you need to top up.

More information under www.vauxhall.co.uk/adblue. In accordance with regulations R (EC) No. 715/2007 and R (EC) No. 692/2008 (in the versions respectively applicable).

Please note: On-the-road recommended retail prices (RRP) include number plates and delivery to retailer of £583.33 (exc. VAT), 12 months' Vehicle Excise Duty at £260.00 (£165.00 on 4500kg models) and new vehicle first registration fee of £55.00. Excludes fuel and insurance.



MOVANO DOUBLECAB PRICES

	Fuel economy mpg (litres/100km) [#]						Price (£) exc. VAT	On-the-road RRP (£) exc. VAT
	Minimum Mass (kg)*	Maximum Payload (kg)*	Urban driving	Extra-urban driving	Combined figure	CO ₂ (g/km) [#]		
L2 H2 FWD DOUBLECAB EURO 6B (6.1)								
3500 2.3CDTi (130PS) BlueInjection	2205	1305	31.4 (9.0)	39.2 (7.2)	35.8 (7.9)	207	31,700.00	32,598.33
3500 2.3CDTi BiTurbo (145PS) S/S BlueInjection	2205	1305	36.2 (7.8)	41.5 (6.8)	39.2 (7.2)	186	32,810.00	33,708.33
3500 2.3CDTi BiTurbo (170PS) S/S Tecshift BlueInjection	2205	1305	36.7 (7.7)	40.4 (7.0)	38.7 (7.3)	189	34,935.00	35,833.33
L3 H2 FWD DOUBLECAB EURO 6B (6.1)								
3500 2.3CDTi (130PS) BlueInjection	2286	1224	31.4 (9.0)	39.2 (7.2)	35.8 (7.9)	207	32,400.00	33,298.33
3500 2.3CDTi BiTurbo (145PS) S/S BlueInjection	2286	1224	36.2 (7.8)	41.5 (6.8)	39.2 (7.2)	186	33,510.00	34,408.33
3500 2.3CDTi BiTurbo (170PS) S/S Tecshift BlueInjection	2286	1224	36.7 (7.7)	40.4 (7.0)	38.7 (7.3)	189	35,635.00	36,533.33
L3 H2 RWD DOUBLECAB (EURO VIc)								
3500 2.3CDTi BiTurbo (130PS) BlueInjection	2553	957	30.4 (9.3)	32.5 (8.7)	31.4 (9.0)	232	33,700.00	34,598.33
3500 2.3CDTi BiTurbo (145PS) S/S BlueInjection	2553	957	34.4 (8.2)	34.9 (8.1)	34.4 (8.2)	212	34,810.00	35,708.33

Please note, Movano model and option availability is restricted as factory orders can no longer be accepted. Please check with your Vauxhall Retailer.

S/S = Start/Stop.

*For definitions please refer to Glossary of Terms.

[#]Fuel consumption data and CO₂ emission data are determined using the Worldwide harmonized Light vehicles Test Procedure (WLTP), and the relevant values are translated back to allow the comparability into NEDC, according to regulations R (EC) No. 715/2007, R (EU) No. 2017/1153 and R (EU) No. 2017/1151. The values do not take into account in particular use and driving conditions, equipment or options and may vary depending on the format of tyres. For more information on official fuel consumption and CO₂ emission values, please read the guidelines at <http://vanfueldata.dft.gov.uk/>

Vehicles with BlueInjection technology will need regular AdBlue[®] top-ups also between servicing requirements. An indicator integrated into the on-board computer will warn you when you need to top up. More information under www.vauxhall.co.uk/adblue. In accordance with regulations R (EC) No. 715/2007 and R (EC) No. 692/2008 (in the versions respectively applicable).

Please note: On-the-road recommended retail prices (RRP) include number plates and delivery to Retailer of £583.33 (exc. VAT), 12 months' Vehicle Excise Duty at £260.00 and new vehicle first registration fee of £55.00. Excludes fuel and insurance.



MOVANO CHASSIS CAB PRICES

	Fuel economy mpg (litres/100km)#					CO ₂ (g/km)#	Price (£) exc. VAT	On-the-road RRP (£) exc. VAT
	Minimum Mass (kg)*	Maximum Payload (kg)*	Urban driving	Extra-urban driving	Combined figure			
L2 H1 FWD CHASSIS CAB EURO 6B (6.1)								
3500 2.3CDTi (110PS) BlueInjection	1784	1756	30.4 (9.3)	37.7 (7.5)	34.4 (8.2)	212	27,550.00	28,448.33
3500 2.3CDTi (130PS) BlueInjection	1784	1756	30.4 (9.3)	37.7 (7.5)	34.4 (8.2)	212	28,350.00	29,248.33
L3 H1 FWD CHASSIS CAB EURO 6B (6.1)								
3500 2.3CDTi (110PS) BlueInjection	1810	1730	30.4 (9.3)	37.7 (7.5)	34.4 (8.2)	212	28,050.00	28,948.33
3500 2.3CDTi (130PS) BlueInjection	1810	1730	30.4 (9.3)	37.7 (7.5)	34.4 (8.2)	212	28,850.00	29,748.33
3500 2.3CDTi BiTurbo (145PS) S/S BlueInjection	1819	1721	35.8 (7.9)	39.8 (7.1)	38.2 (7.4)	192	29,960.00	30,858.33
L2 H1 RWD CHASSIS CAB (EURO VIc)								
3500 2.3CDTi BiTurbo (130PS) BlueInjection	1928	1612	30.4 (9.3)	32.5 (8.7)	31.4 (9.0)	232	29,650.00	30,548.33
3500 HD 2.3CDTi BiTurbo (130PS) BlueInjection	2095	1445	29.4 (9.6)	30.7 (9.2)	30.4 (9.3)	242	30,265.00	31,163.33
4500 HD 2.3CDTi BiTurbo (163PS) S/S Tacho BlueInjection	2095	2445	N/A (N2)	N/A (N2)	N/A (N2)	N/A (N2)	34,280.00	35,083.33

Please note, Movano model and option availability is restricted as factory orders can no longer be accepted. Please check with your Vauxhall Retailer.

S/S = Start/Stop.

*For definitions please refer to Glossary of Terms.

#Fuel consumption data and CO₂ emission data are determined using the Worldwide harmonized Light vehicles Test Procedure (WLTP), and the relevant values are translated back to allow the comparability into NEDC, according to regulations R (EC) No. 715/2007, R (EU) No. 2017/1153 and R (EU) No. 2017/1151. The values do not take into account in particular use and driving conditions, equipment or options and may vary depending on the format of tyres. For more information on official fuel consumption and CO₂ emission values, please read the guidelines at <http://vanfueldata.dft.gov.uk/>

Vehicles with BlueInjection technology will need regular AdBlue® top-ups also between servicing requirements. An indicator integrated into the on-board computer will warn you when you need to top up. More information under www.vauxhall.co.uk/adblue. In accordance with regulations R (EC) No. 715/2007 and R (EC) No. 692/2008 (in the versions respectively applicable).

All conversions must follow 'Vauxhall Converter Requirements' including recommended dimensional data, detailed within Part 1, available at: www.converters-and-groupe-psa.com. The weight of any fitted conversion body will have to be deducted from these figures to establish actual payload and is subject to correct weight distribution. Variations from the recommended dimensions or weights may affect the vehicle's overall centre of gravity and stability. From 29 April 2013 conversion of N1 vehicles was affected by changes to type approval – for further information refer to the VCA website (N2 vehicles were affected from 29 October 2014). For further information please contact conversions@vauxhall.co.uk

Please note: On-the-road recommended retail prices (RRP) include number plates and delivery to Retailer of £583.33 (exc. VAT), 12 months' Vehicle Excise Duty at £260.00 (£165.00 on 4500kg models) and new vehicle first registration fee of £55.00. Excludes fuel and insurance.



MOVANO CHASSIS CAB PRICES

	Fuel economy mpg (litres/100km) [#]						Price (£) exc. VAT	On-the-road RRP (£) exc. VAT
	Minimum Mass (kg)*	Maximum Payload (kg)*	Urban driving	Extra-urban driving	Combined figure	CO ₂ (g/km) [#]		
L3 H1 RWD CHASSIS CAB (EURO VIc)								
3500 2.3CDTi BiTurbo (130PS) BlueInjection	1979	1561	30.4 (9.3)	32.5 (8.7)	31.4 (9.0)	232	30,150.00	31,048.33
3500 2.3CDTi BiTurbo (145PS) S/S BlueInjection	1979	1561	34.4 (8.2)	34.9 (8.1)	34.4 (8.2)	212	31,260.00	32,158.33
3500 HD 2.3CDTi BiTurbo (130PS) BlueInjection	2103	1437	29.4 (9.6)	30.7 (9.2)	30.4 (9.3)	242	30,750.00	31,648.33
3500 HD 2.3CDTi BiTurbo (145PS) S/S BlueInjection	2103	1437	33.2 (8.5)	32.8 (8.6)	32.8 (8.6)	222	31,860.00	32,758.33
4500 HD 2.3CDTi BiTurbo (163PS) S/S Tacho BlueInjection	2095	2445	N/A (N2)	N/A (N2)	N/A (N2)	N/A (N2)	34,765.00	35,568.33
L4 H1 RWD CHASSIS CAB (EURO VIc)								
3500 HD 2.3CDTi BiTurbo (130PS) BlueInjection	2133	1407	29.4 (9.6)	30.7 (9.2)	30.4 (9.3)	242	31,450.00	32,348.33
3500 HD 2.3CDTi BiTurbo (145PS) S/S BlueInjection	2133	1407	33.2 (8.5)	32.8 (8.6)	32.8 (8.6)	222	32,560.00	33,458.33
4500 HD 2.3CDTi BiTurbo (163PS) S/S Tacho BlueInjection	2133	2407	N/A (N2)	N/A (N2)	N/A (N2)	N/A (N2)	35,465.00	36,268.33

Please note, Movano model and option availability is restricted as factory orders can no longer be accepted. Please check with your Vauxhall Retailer.

S/S = Start/Stop.

*For definitions please refer to Glossary of Terms.

[#]Fuel consumption data and CO₂ emission data are determined using the Worldwide harmonized Light vehicles Test Procedure (WLTP), and the relevant values are translated back to allow the comparability into NEDC, according to regulations R (EC) No. 715/2007, R (EU) No. 2017/1153 and R (EU) No. 2017/1151. The values do not take into account in particular use and driving conditions, equipment or options and may vary depending on the format of tyres. For more information on official fuel consumption and CO₂ emission values, please read the guidelines at <http://vanfueldata.dft.gov.uk/>

Vehicles with BlueInjection technology will need regular AdBlue® top-ups also between servicing requirements. An indicator integrated into the on-board computer will warn you when you need to top up. More information under www.vauxhall.co.uk/adblue. In accordance with regulations R (EC) No. 715/2007 and R (EC) No. 692/2008 (in the versions respectively applicable).

All conversions must follow 'Vauxhall Converter Requirements' including recommended dimensional data, detailed within Part 1, available at: www.converters-and-groupe-psa.com. The weight of any fitted conversion body will have to be deducted from these figures to establish actual payload and is subject to correct weight distribution. Variations from the recommended dimensions or weights may affect the vehicle's overall centre of gravity and stability. From 29 April 2013 conversion of N1 vehicles was affected by changes to type approval – for further information refer to the VCA website (N2 vehicles were affected from 29 October 2014). For further information please contact conversions@vauxhall.co.uk

Please note: On-the-road recommended retail prices (RRP) include number plates and delivery to Retailer of £583.33 (exc. VAT), 12 months' Vehicle Excise Duty at £260.00 (£165.00 on 4500kg models) and new vehicle first registration fee of £55.00. Excludes fuel and insurance.



MOVANO CREW CAB PRICES

	Fuel economy mpg (litres/100km) [#]						Price (£) exc. VAT	On-the-road RRP (£) exc. VAT
	Minimum Mass (kg) [*]	Maximum Payload (kg) [*]	Urban driving	Extra-urban driving	Combined figure	CO ₂ (g/km) [#]		
L2 H1 FWD CREW CAB EURO 6B (6.1)								
3500 2.3CDTi (130PS) BlueInjection	1990	1550	30.4 (9.3)	37.7 (7.5)	34.4 (8.2)	212	29,250.00	30,148.33
L3 H1 FWD CREW CAB EURO 6B (6.1)								
3500 2.3CDTi (130PS) BlueInjection	2034	1506	30.4 (9.3)	37.7 (7.5)	34.4 (8.2)	212	29,750.00	30,648.33
L2 H1 RWD CREW CAB (EURO VIc)								
3500 2.3CDTi BiTurbo (130PS) BlueInjection	2164	1376	30.4 (9.3)	32.5 (8.7)	31.4 (9.0)	232	30,550.00	31,448.33
L3 H1 RWD CREW CAB (EURO VIc)								
3500 2.3CDTi BiTurbo (130PS) BlueInjection	2197	1343	30.4 (9.3)	32.5 (8.7)	31.4 (9.0)	232	31,050.00	31,948.33
3500 HD 2.3CDTi BiTurbo (130PS) BlueInjection	2283	1257	29.4 (9.6)	30.7 (9.2)	30.4 (9.3)	242	31,650.00	32,548.33
4500 HD 2.3CDTi BiTurbo (130PS) Tacho BlueInjection	2283	2257	N/A (N2)	N/A (N2)	N/A (N2)	N/A (N2)	33,305.00	34,108.33
4500 HD 2.3CDTi BiTurbo (163PS) S/S Tacho BlueInjection	2283	2257	N/A (N2)	N/A (N2)	N/A (N2)	N/A (N2)	35,665.00	36,468.33
L4 H1 RWD CREW CAB (EURO VIc)								
3500 HD 2.3CDTi BiTurbo (130PS) BlueInjection	2352	1188	29.4 (9.6)	30.7 (9.2)	30.4 (9.3)	242	32,350.00	33,248.33
4500 HD 2.3CDTi BiTurbo (163PS) S/S Tacho BlueInjection	2352	2188	N/A (N2)	N/A (N2)	N/A (N2)	N/A (N2)	36,365.00	37,168.33

Please note, Movano model and option availability is restricted as factory orders can no longer be accepted. Please check with your Vauxhall Retailer.

S/S = Start/Stop.

*For definitions please refer to Glossary of Terms.

[#]Fuel consumption data and CO₂ emission data are determined using the Worldwide harmonized Light vehicles Test Procedure (WLTP), and the relevant values are translated back to allow the comparability into NEDC, according to regulations R (EC) No. 715/2007, R (EU) No. 2017/1153 and R (EU) No. 2017/1151. The values do not take into account in particular use and driving conditions, equipment or options and may vary depending on the format of tyres. For more information on official fuel consumption and CO₂ emission values, please read the guidelines at <http://vanfueldata.dft.gov.uk/>

Vehicles with BlueInjection technology will need regular AdBlue[®] top-ups also between servicing requirements. An indicator integrated into the on-board computer will warn you when you need to top up. More information under www.vauxhall.co.uk/adblue. In accordance with regulations R (EC) No. 715/2007 and R (EC) No. 692/2008 (in the versions respectively applicable).

All conversions must follow 'Vauxhall Converter Requirements' including recommended dimensional data, detailed within Part 1, available at: www.converters-and-groupe-psa.com. The weight of any fitted conversion body will have to be deducted from these figures to establish actual payload and is subject to correct weight distribution. Variations from the recommended dimensions or weights may affect the vehicle's overall centre of gravity and stability. From 29 April 2013 conversion of N1 vehicles was affected by changes to type approval – for further information refer to the VCA website (N2 vehicles were affected from 29 October 2014). For further information please contact conversions@vauxhall.co.uk

Please note: On-the-road recommended retail prices (RRP) include number plates and delivery to Retailer of £583.33 (exc. VAT), 12 months' Vehicle Excise Duty at £260.00 (£165.00 on 4500kg models) and new vehicle first registration fee of £55.00. Excludes fuel and insurance.



MOVANO PLATFORM CAB PRICES

	Fuel economy mpg (litres/100km)#					CO ₂ (g/km)#	Price (£) exc. VAT	On-the-road RRP (£) exc. VAT
	Minimum Mass (kg)*	Maximum Payload (kg)*	Urban driving	Extra-urban driving	Combined figure			
L2 H1 FWD PLATFORM CAB EURO 6B (6.1)								
3500 2.3CDTi (130PS) BlueInjection	1697	1843	31.4 (9.0)	39.2 (7.2)	35.8 (7.9)	207	28,350.00	29,248.33
L2 H2 FWD PLATFORM CAB EURO 6B (6.1)								
3500 2.3CDTi (130PS) BlueInjection	1711	1829	31.4 (9.0)	39.2 (7.2)	35.8 (7.9)	207	28,950.00	29,848.33
L3 H1 FWD PLATFORM CAB EURO 6B (6.1)								
3500 2.3CDTi (130PS) BlueInjection	1719	1821	31.4 (9.0)	39.2 (7.2)	35.8 (7.9)	207	28,850.00	29,748.33
3500 2.3CDTi BiTurbo (145PS) S/S BlueInjection	1728	1812	35.8 (7.9)	39.8 (7.1)	38.2 (7.4)	192	29,960.00	30,858.33
L3 H2 FWD PLATFORM CAB EURO 6B (6.1)								
3500 2.3CDTi (130PS) BlueInjection	1735	1805	30.4 (9.3)	37.7 (7.5)	34.4 (8.2)	212	29,450.00	30,348.33
3500 2.3CDTi BiTurbo (145PS) S/S BlueInjection	1744	1796	35.8 (7.9)	39.8 (7.1)	38.2 (7.4)	192	30,560.00	31,458.33

Please note, Movano model and option availability is restricted as factory orders can no longer be accepted. Please check with your Vauxhall Retailer.

S/S = Start/Stop.

*For definitions please refer to Glossary of Terms.

#Fuel consumption data and CO₂ emission data are determined using the Worldwide harmonized Light vehicles Test Procedure (WLTP), and the relevant values are translated back to allow the comparability into NEDC, according to regulations R (EC) No. 715/2007, R (EU) No. 2017/1153 and R (EU) No. 2017/1151. The values do not take into account in particular use and driving conditions, equipment or options and may vary depending on the format of tyres. For more information on official fuel consumption and CO₂ emission values, please read the guidelines at <http://vanfueldata.dft.gov.uk/>

Vehicles with BlueInjection technology will need regular AdBlue® top-ups also between servicing requirements. An indicator integrated into the on-board computer will warn you when you need to top up. More information under www.vauxhall.co.uk/adblue. In accordance with regulations R (EC) No. 715/2007 and R (EC) No. 692/2008 (in the versions respectively applicable).

All conversions must follow 'Vauxhall Converter Requirements' including recommended dimensional data, detailed within Part 1, available at: www.converters-and-groupe-psa.com. The weight of any fitted conversion body will have to be deducted from these figures to establish actual payload and is subject to correct weight distribution. Variations from the recommended dimensions or weights may affect the vehicle's overall centre of gravity and stability. From 29 April 2013 conversion of N1 vehicles was affected by changes to type approval – for further information refer to the VCA website (N2 vehicles were affected from 29 October 2014). For further information please contact conversions@vauxhall.co.uk

Please note: On-the-road recommended retail prices (RRP) include number plates and delivery to Retailer of £583.33 (exc. VAT), 12 months' Vehicle Excise Duty at £260.00 and new vehicle first registration fee of £55.00. Excludes fuel and insurance.



MOVANO TIPPER PRICES

	Fuel economy mpg (litres/100km) [#]					CO ₂ (g/km) [#]	Price (£) exc. VAT	On-the-road RRP (£) exc. VAT
	Minimum Mass (kg) [*]	Maximum Payload (kg) [*]	Urban driving	Extra-urban driving	Combined figure			
L2 H1 FWD CHASSIS CAB TIPPER EURO 6B (6.1)								
3500 2.3CDTi (130PS) BlueInjection	2381	1159	31.4 (9.0)	39.2 (7.2)	35.8 (7.9)	207	32,100.00	32,998.33
3500 2.3CDTi BiTurbo (145PS) S/S BlueInjection	2391	1149	36.2 (7.8)	40.4 (7.0)	38.7 (7.3)	189	33,210.00	34,108.33
3500 2.3CDTi BiTurbo (170PS) S/S BlueInjection	2391	1149	35.8 (7.9)	39.8 (7.1)	38.2 (7.4)	192	34,460.00	35,358.33
L2 H1 RWD CHASSIS CAB TIPPER (EURO VIc)								
3500 HD 2.3CDTi BiTurbo (130PS) BlueInjection	2661	879	29.4 (9.6)	30.7 (9.2)	30.4 (9.3)	242	34,000.00	34,898.33
3500 HD 2.3CDTi BiTurbo (145PS) S/S BlueInjection	2661	879	33.2 (8.5)	32.8 (8.6)	32.8 (8.6)	222	35,110.00	36,008.33
3500 HD 2.3CDTi BiTurbo (163PS) S/S BlueInjection	2661	879	33.2 (8.5)	32.8 (8.6)	32.8 (8.6)	222	36,360.00	37,258.33
4500 HD 2.3CDTi BiTurbo (163PS) S/S Tacho BlueInjection	2661	1879	N/A (N2)	N/A (N2)	N/A (N2)	N/A (N2)	38,015.00	38,818.33
L3 H1 RWD CHASSIS CAB TIPPER (EURO VIc)								
3500 HD 2.3CDTi BiTurbo (130PS) BlueInjection	2773	767	29.4 (9.6)	30.7 (9.2)	30.4 (9.3)	242	35,700.00	36,598.33
3500 HD 2.3CDTi BiTurbo (145PS) S/S BlueInjection	2773	767	33.2 (8.5)	32.8 (8.6)	32.8 (8.6)	222	36,810.00	37,708.33
4500 HD 2.3CDTi BiTurbo (163PS) S/S Tacho BlueInjection	2773	1617	N/A (N2)	N/A (N2)	N/A (N2)	N/A (N2)	39,715.00	40,518.33
L3 H1 FWD CREW CAB TIPPER EURO 6B (6.1)								
3500 2.3CDTi (130PS) BlueInjection	2511	1029	30.7 (9.2)	38.2 (7.4)	34.9 (8.1)	210	33,500.00	34,398.33
3500 2.3CDTi BiTurbo (145PS) S/S BlueInjection	2520	1020	36.2 (7.8)	40.4 (7.0)	38.7 (7.3)	189	34,610.00	35,508.33
L3 H1 RWD CREW CAB TIPPER (EURO VIc)								
4500 HD 2.3CDTi BiTurbo (163PS) S/S Tacho BlueInjection	2830	1710	N/A (N2)	N/A (N2)	N/A (N2)	N/A (N2)	39,415.00	40,218.33

Please note, Movano model and option availability is restricted as factory orders can no longer be accepted. Please check with your Vauxhall Retailer.

S/S = Start/Stop.

*For definitions please refer to Glossary of Terms.

[#]Fuel consumption data and CO₂ emission data are determined using the Worldwide harmonized Light vehicles Test Procedure (WLTP), and the relevant values are translated back to allow the comparability into NEDC, according to regulations R (EC) No. 715/2007, R (EU) No. 2017/1153 and R (EU) No. 2017/1151. The values do not take into account in particular use and driving conditions, equipment or options and may vary depending on the format of tyres. For more information on official fuel consumption and CO₂ emission values, please read the guidelines at <http://vanfueldata.dft.gov.uk/>

Vehicles with BlueInjection technology will need regular AdBlue[®] top-ups also between servicing requirements. An indicator integrated into the on-board computer will warn you when you need to top up.

More information under www.vauxhall.co.uk/adblue. In accordance with regulations R (EC) No. 715/2007 and R (EC) No. 692/2008 (in the versions respectively applicable).

Please note: On-the-road recommended retail prices (RRP) include number plates and delivery to Retailer of £583.33 (exc. VAT), 12 months' Vehicle Excise Duty at £260.00 (£165.00 on 4500kg models) and new vehicle first registration fee of £55.00. Excludes fuel and insurance.



MOVANO DROPSIDE PRICES

	Fuel economy mpg (litres/100km) [#]						Price (£) exc. VAT	On-the-road RRP (£) exc. VAT
	Minimum Mass (kg)*	Maximum Payload (kg)*	Urban driving	Extra-urban driving	Combined figure	CO ₂ (g/km) [#]		
L2 H1 FWD CHASSIS CAB DROPSIDE EURO 6B (6.1)								
3500 2.3CDTi (130PS) BlueInjection	2156	1384	31.7 (8.9)	39.8 (7.1)	36.2 (7.8)	204	30,300.00	31,198.33
3500 2.3CDTi BiTurbo (145PS) S/S BlueInjection	2166	1374	37.2 (7.6)	42.2 (6.7)	40.4 (7.0)	183	31,410.00	32,308.33
L3 H1 FWD CHASSIS CAB DROPSIDE EURO 6B (6.1)								
3500 2.3CDTi (130PS) BlueInjection	2228	1312	31.4 (9.0)	39.2 (7.2)	35.8 (7.9)	207	31,300.00	32,198.33
3500 2.3CDTi BiTurbo (145PS) S/S BlueInjection	2237	1303	36.2 (7.8)	41.5 (6.8)	39.2 (7.2)	186	32,410.00	33,308.33
L2 H1 RWD CHASSIS CAB DROPSIDE (EURO VIc)								
3500 2.3CDTi BiTurbo (130PS) BlueInjection	2356	1184	30.4 (9.3)	32.5 (8.7)	31.4 (9.0)	232	31,600.00	32,498.33
3500 2.3CDTi BiTurbo (145PS) S/S BlueInjection	2356	1184	34.4 (8.2)	34.9 (8.1)	34.4 (8.2)	212	32,710.00	33,608.33
3500 HD 2.3CDTi BiTurbo (130PS) BlueInjection	2447	1093	29.4 (9.6)	30.7 (9.2)	30.4 (9.3)	242	32,215.00	33,113.33
3500 HD 2.3CDTi BiTurbo (145PS) S/S BlueInjection	2447	1093	33.2 (8.5)	32.8 (8.6)	32.8 (8.6)	222	33,325.00	34,223.33
4500 HD 2.3CDTi BiTurbo (163PS) S/S Tacho BlueInjection	2447	2093	N/A (N2)	N/A (N2)	N/A (N2)	N/A (N2)	36,230.00	37,033.33

Please note, Movano model and option availability is restricted as factory orders can no longer be accepted. Please check with your Vauxhall Retailer.

S/S = Start/Stop.

*For definitions please refer to Glossary of Terms.

[#]Fuel consumption data and CO₂ emission data are determined using the Worldwide harmonized Light vehicles Test Procedure (WLTP), and the relevant values are translated back to allow the comparability into NEDC, according to regulations R (EC) No. 715/2007, R (EU) No. 2017/1153 and R (EU) No. 2017/1151. The values do not take into account in particular use and driving conditions, equipment or options and may vary depending on the format of tyres. For more information on official fuel consumption and CO₂ emission values, please read the guidelines at <http://vanfueldata.dft.gov.uk/>

Vehicles with BlueInjection technology will need regular AdBlue® top-ups also between servicing requirements. An indicator integrated into the on-board computer will warn you when you need to top up. More information under www.vauxhall.co.uk/adblue. In accordance with regulations R (EC) No. 715/2007 and R (EC) No. 692/2008 (in the versions respectively applicable).

Please note: On-the-road recommended retail prices (RRP) include number plates and delivery to Retailer of £583.33 (exc. VAT), 12 months' Vehicle Excise Duty at £260.00 (£165.00 on 4500kg models) and new vehicle first registration fee of £55.00. Excludes fuel and insurance.



MOVANO DROPSIDE PRICES

	Fuel economy mpg (litres/100km) [#]						Price (£) exc. VAT	On-the-road RRP (£) exc. VAT
	Minimum Mass (kg)*	Maximum Payload (kg)*	Urban driving	Extra-urban driving	Combined figure	CO ₂ (g/km) [#]		
L3 H1 RWD CHASSIS CAB DROPSIDE (EURO VIc)								
3500 HD 2.3CDTi BiTurbo (145PS) S/S BlueInjection	2491	1049	33.2 (8.5)	32.8 (8.6)	32.8 (8.6)	222	34,310.00	35,208.33
4500 HD 2.3CDTi BiTurbo (130PS) Tacho BlueInjection	2496	2044	N/A (N2)	N/A (N2)	N/A (N2)	N/A (N2)	34,855.00	35,658.33
4500 HD 2.3CDTi BiTurbo (163PS) S/S Tacho BlueInjection	2496	2044	N/A (N2)	N/A (N2)	N/A (N2)	N/A (N2)	37,215.00	38,018.33
L4 H1 RWD CHASSIS CAB DROPSIDE (EURO VIc)								
3500 HD 2.3CDTi BiTurbo (145PS) S/S BlueInjection	2576	964	33.2 (8.5)	32.8 (8.6)	32.8 (8.6)	222	35,010.00	35,908.33
4500 HD 2.3CDTi BiTurbo (130PS) Tacho BlueInjection	2581	1959	N/A (N2)	N/A (N2)	N/A (N2)	N/A (N2)	35,555.00	36,358.33
4500 HD 2.3CDTi BiTurbo (163PS) S/S Tacho BlueInjection	2581	1959	N/A (N2)	N/A (N2)	N/A (N2)	N/A (N2)	37,915.00	38,718.33

Please note, Movano model and option availability is restricted as factory orders can no longer be accepted. Please check with your Vauxhall Retailer.

S/S = Start/Stop.

*For definitions please refer to Glossary of Terms.

[#]Fuel consumption data and CO₂ emission data are determined using the Worldwide harmonized Light vehicles Test Procedure (WLTP), and the relevant values are translated back to allow the comparability into NEDC, according to regulations R (EC) No. 715/2007, R (EU) No. 2017/1153 and R (EU) No. 2017/1151. The values do not take into account in particular use and driving conditions, equipment or options and may vary depending on the format of tyres. For more information on official fuel consumption and CO₂ emission values, please read the guidelines at <http://vanfueldata.dft.gov.uk/>

Vehicles with BlueInjection technology will need regular AdBlue[®] top-ups also between servicing requirements. An indicator integrated into the on-board computer will warn you when you need to top up. More information under www.vauxhall.co.uk/adblue. In accordance with regulations R (EC) No. 715/2007 and R (EC) No. 692/2008 (in the versions respectively applicable).

Please note: On-the-road recommended retail prices (RRP) include number plates and delivery to Retailer of £583.33 (exc. VAT), 12 months' Vehicle Excise Duty at £260.00 (£165.00 on 4500kg models) and new vehicle first registration fee of £55.00. Excludes fuel and insurance.



MOVANO DROPSIDE PRICES

	Fuel economy mpg (litres/100km) [#]						Price (£) exc. VAT	On-the-road RRP (£) exc. VAT
	Minimum Mass (kg)*	Maximum Payload (kg)*	Urban driving	Extra-urban driving	Combined figure	CO ₂ (g/km) [#]		
L2 H1 FWD CREW CAB DROPSIDE EURO 6B (6.1)								
3500 2.3CDTi (130PS) BlueInjection	2313	1227	31.4 (9.0)	39.2 (7.2)	35.8 (7.9)	207	31,200.00	32,098.33
L3 H1 FWD CREW CAB DROPSIDE EURO 6B (6.1)								
3500 2.3CDTi (130PS) BlueInjection	2384	1156	31.4 (9.0)	39.2 (7.2)	35.8 (7.9)	207	31,700.00	32,598.33
3500 2.3CDTi BiTurbo (145PS) S/S BlueInjection	2393	1147	36.2 (7.8)	41.5 (6.8)	39.2 (7.2)	186	32,810.00	33,708.33
3500 2.3CDTi BiTurbo (170PS) S/S BlueInjection	2393	1147	36.7 (7.7)	40.4 (7.0)	38.7 (7.3)	189	34,060.00	34,958.33
L2 H1 RWD CREW CAB DROPSIDE (EURO VIc)								
3500 2.3CDTi BiTurbo (130PS) BlueInjection	2471	1069	30.4 (9.3)	32.5 (8.7)	31.4 (9.0)	232	32,500.00	33,398.33
L3 H1 RWD CREW CAB DROPSIDE (EURO VIc)								
4500 HD 2.3CDTi BiTurbo (163PS) S/S Tacho BlueInjection	2642	1898	N/A (N2)	N/A (N2)	N/A (N2)	N/A (N2)	37,615.00	38,418.33
L4 H1 RWD CREW CAB DROPSIDE (EURO VIc)								
4500 HD 2.3CDTi BiTurbo (163PS) S/S Tacho BlueInjection	2626	1914	N/A (N2)	N/A (N2)	N/A (N2)	N/A (N2)	38,815.00	39,618.33

Please note, Movano model and option availability is restricted as factory orders can no longer be accepted. Please check with your Vauxhall Retailer.

S/S = Start/Stop.

*For definitions please refer to Glossary of Terms.

[#]Fuel consumption data and CO₂ emission data are determined using the Worldwide harmonized Light vehicles Test Procedure (WLTP), and the relevant values are translated back to allow the comparability into NEDC, according to regulations R (EC) No. 715/2007, R (EU) No. 2017/1153 and R (EU) No. 2017/1151. The values do not take into account in particular use and driving conditions, equipment or options and may vary depending on the format of tyres. For more information on official fuel consumption and CO₂ emission values, please read the guidelines at <http://vanfueldata.dft.gov.uk/>

Vehicles with BlueInjection technology will need regular AdBlue® top-ups also between servicing requirements. An indicator integrated into the on-board computer will warn you when you need to top up. More information under www.vauxhall.co.uk/adblue. In accordance with regulations R (EC) No. 715/2007 and R (EC) No. 692/2008 (in the versions respectively applicable).

Please note: On-the-road recommended retail prices (RRP) include number plates and delivery to Retailer of £583.33 (exc. VAT), 12 months' Vehicle Excise Duty at £260.00 (£165.00 on 4500kg models) and new vehicle first registration fee of £55.00. Excludes fuel and insurance.



MOVANO BOX VAN PRICES

	Fuel economy mpg (litres/100km) [#]						Price (£) exc. VAT	On-the-road RRP (£) exc. VAT
	Minimum Mass (kg)*	Maximum Payload (kg)*	Urban driving	Extra-urban driving	Combined figure	CO ₂ (g/km) [#]		
L3 H1 FWD CHASSIS CAB BOX VAN 20 cu.m EURO 6B (6.1)								
3500 2.3CDTi (130PS) BlueInjection	2400	1140	30.7 (9.2)	38.2 (7.4)	34.9 (8.1)	210	34,530.00	35,428.33
3500 2.3CDTi BiTurbo (170PS) S/S BlueInjection	2400	1140	35.8 (7.9)	39.8 (7.1)	38.2 (7.4)	192	36,890.00	37,788.33
L3 H1 RWD CHASSIS CAB BOX VAN 20 cu.m (EURO VIc)								
3500 2.3CDTi BiTurbo (130PS) BlueInjection	2560	980	30.4 (9.3)	32.5 (8.7)	31.4 (9.0)	232	37,030.00	37,928.33
3500 2.3CDTi BiTurbo (163PS) S/S BlueInjection	2560	980	34.4 (8.2)	34.9 (8.1)	34.4 (8.2)	212	39,390.00	40,288.33
L4 H1 RWD CHASSIS CAB BOX VAN 20 cu.m (EURO VIc)								
3500 HD 2.3CDTi BiTurbo (130PS) BlueInjection	2735	805	29.4 (9.6)	30.7 (9.2)	30.4 (9.3)	242	37,280.00	38,178.33
3500 HD 2.3CDTi BiTurbo (145PS) S/S BlueInjection	2735	805	33.2 (8.5)	32.8 (8.6)	32.8 (8.6)	222	38,390.00	39,288.33
4500 HD 2.3CDTi BiTurbo (163PS) S/S Tacho BlueInjection	2735	1805	N/A (N2)	N/A (N2)	N/A (N2)	N/A (N2)	41,295.00	42,098.33
L4 H1 RWD CHASSIS CAB BOX VAN 22 cu.m (EURO VIc)								
3500 HD 2.3CDTi BiTurbo (130PS) BlueInjection	2760	780	29.4 (9.6)	30.7 (9.2)	30.4 (9.3)	242	37,480.00	38,378.33
3500 HD 2.3CDTi BiTurbo (145PS) S/S BlueInjection	2760	780	33.2 (8.5)	32.8 (8.6)	32.8 (8.6)	222	38,590.00	39,488.33

Please note, Movano model and option availability is restricted as factory orders can no longer be accepted. Please check with your Vauxhall Retailer.

S/S = Start/Stop.

*For definitions please refer to Glossary of Terms.

[#]Fuel consumption data and CO₂ emission data are determined using the Worldwide harmonized Light vehicles Test Procedure (WLTP), and the relevant values are translated back to allow the comparability into NEDC, according to regulations R (EC) No. 715/2007, R (EU) No. 2017/1153 and R (EU) No. 2017/1151. The values do not take into account in particular use and driving conditions, equipment or options and may vary depending on the format of tyres. For more information on official fuel consumption and CO₂ emission values, please read the guidelines at <http://vanfueldata.dft.gov.uk/>

Vehicles with BlueInjection technology will need regular AdBlue® top-ups also between servicing requirements. An indicator integrated into the on-board computer will warn you when you need to top up. More information under www.vauxhall.co.uk/adblue. In accordance with regulations R (EC) No. 715/2007 and R (EC) No. 692/2008 (in the versions respectively applicable).

Please note: On-the-road recommended retail prices (RRP) include number plates and delivery to Retailer of £583.33 (exc. VAT), 12 months' Vehicle Excise Duty at £260.00 (£165.00 on 4500kg models) and new vehicle first registration fee of £55.00. Excludes fuel and insurance.



MOVANO MINIBUS PRICES

	Fuel economy mpg (litres/100km) [#]					CO ₂ (g/km) [#]	Price (£) exc. VAT	On-the-road RRP (£) inc. VAT
	Minimum Mass (kg) [*]	Maximum Payload (kg) [*]	Urban driving	Extra-urban driving	Combined figure			
L3 H2 FWD 17-SEAT MINIBUS (EURO VIc)								
3900 2.3CDTi BiTurbo (145PS) S/S Tacho BlueInjection	2660	1340	N/A (M2)	N/A (M2)	N/A (M2)	N/A (M2)	36,329.17	44,515.00

Please note, Movano model and option availability is restricted as factory orders can no longer be accepted. Please check with your Vauxhall Retailer.

S/S = Start/Stop.

*For definitions please refer to Glossary of Terms.

[#]Fuel consumption data and CO₂ emission data are determined using the Worldwide harmonized Light vehicles Test Procedure (WLTP), and the relevant values are translated back to allow the comparability into NEDC, according to regulations R (EC) No. 715/2007, R (EU) No. 2017/1153 and R (EU) No. 2017/1151. The values do not take into account in particular use and driving conditions, equipment or options and may vary depending on the format of tyres. For more information on official fuel consumption and CO₂ emission values, please read the guidelines at <http://vanfueldata.dft.gov.uk/>

Vehicles with BlueInjection technology will need regular AdBlue[®] top-ups also between servicing requirements. An indicator integrated into the on-board computer will warn you when you need to top up. More information under www.vauxhall.co.uk/adblue. In accordance with regulations R (EC) No. 715/2007 and R (EC) No. 692/2008 (in the versions respectively applicable).

Please note: On-the-road recommended retail prices (RRP) include number plates and delivery to Retailer of £583.33 (exc. VAT), 12 months' Vehicle Excise Duty £165.00 and new vehicle first registration fee of £55.00. Excludes fuel and insurance.



MOVANO TRABUS PRICES/FEATURES

	Fuel economy mpg (litres/100km) [#]					Price (£) exc. VAT	On-the-road RRP (£) exc. VAT
	Minimum Mass (kg)*	Maximum Payload (kg)*	Urban driving	Extra-urban driving	Combined figure		
L2 H2 FWD TRABUS (EURO VIc)							
3900 2.3CDTi BiTurbo (145PS) S/S BlueInjection	2093	1837	N/A (M2)	N/A (M2)	N/A (M2)	N/A (M2)	32,440.00 33,243.33
L3 H2 FWD TRABUS (EURO VIc)							
3900 2.3CDTi BiTurbo (145PS) S/S BlueInjection	2171	1759	N/A (M2)	N/A (M2)	N/A (M2)	N/A (M2)	32,990.00 33,793.33

Please note, Movano model and option availability is restricted as factory orders can no longer be accepted. Please check with your Vauxhall Retailer.

The Vauxhall Trabus is a fully glazed panel van without bulkhead suitable for conversion into a passenger vehicle by a third-party Converter. The Trabus includes basic Type Approval for registration as a Category M** Passenger Vehicle and 2nd stage Type Approval must be completed by the Converter to enable registration. Available in two wheelbases the Trabus is fitted with the highly efficient and economical 2.3CDTi BiTurbo Euro VI engine with Start/Stop. There are no interior seats or internal trim within the load compartment.

Movano Trabus feature highlights:

- Type-approved for Euro VI Category M emissions
- Driver's airbag
- Electronic stability programme
- Six-way adjustable driver's seat with armrest
- Dual front passengers' bench seat with dump latch facility
- Pulse cloth trim for front seats
- Digital Tachograph
- 62mph hardcoded Speed Limiter
- Front fog lights
- High beam assist
- Lane departure warning
- Multi-function trip computer
- Bulkhead not fitted
- Digital radio/CD/MP3 CD player/stereo radio/aux-in socket/Bluetooth® connectivity for compatible mobile phones/USB connectivity/integrated display/four 15-watt speakers (CD 16 DAB BT USB)
- No second or third-row seating
- Fixed windows – nearside and offside rear panels
- Selective door locking with three-button key
- Uprated battery (110Ah)
- Glazed rear doors (90°/180° opening)
- Under-floor full-size spare wheel
- Centre wheel covers (full-diameter wheel covers optional)
- Nearside sliding side-access door and opposite panel with fixed windows

S/S = Start/Stop.

*For definitions please refer to Glossary of Terms. **M1 or M2 dependent on passenger configuration.

[#]Fuel consumption data and CO₂ emission data are determined using the Worldwide harmonized Light vehicles Test Procedure (WLTP), and the relevant values are translated back to allow the comparability into NEDC, according to regulations R (EC) No. 715/2007, R (EU) No. 2017/1153 and R (EU) No. 2017/1151. The values do not take into account in particular use and driving conditions, equipment or options and may vary depending on the format of tyres. For more information on official fuel consumption and CO₂ emission values, please read the guidelines at <http://vanfueldata.dft.gov.uk/>

Vehicles with BlueInjection technology will need regular AdBlue® top-ups also between servicing requirements. An indicator integrated into the on-board computer will warn you when you need to top up. More information under www.vauxhall.co.uk/adblue. In accordance with regulations R (EC) No. 715/2007 and R (EC) No. 692/2008 (in the versions respectively applicable).

All conversions must follow 'Vauxhall Converter Requirements' including recommended dimensional data, detailed within Part 1, available at: www.converters-and-groupe-psa.com. The weight of any fitted conversion body will have to be deducted from these figures to establish actual payload and is subject to correct weight distribution. Variations from the recommended dimensions or weights may affect the vehicle's overall centre of gravity and stability. From 29 April 2013 conversion of N1 vehicles was affected by changes to type approval – for further information refer to the VCA website (N2 vehicles were affected from 29 October 2014). For further information please contact conversions@vauxhall.co.uk

Please note: On-the-road recommended retail prices (RRP) include number plates and delivery to Retailer of £583.33 (exc. VAT), 12 months' Vehicle Excise Duty at £165.00 and new vehicle first registration fee of £55.00. Excludes fuel and insurance.



MOVANO FEATURES/OPTIONS

SAFETY

	Option Code	Movano	Minibus	Trabus	Price (£) exc. VAT	Price (£) inc. VAT
Driver / passenger airbags		●	●	●		
• Driver's airbag						
• Front passengers' airbag with deactivation switch – Not available with Convenience Pack option.	AK5	○	○	○	260.00	312.00
Stability						
• Electronic Stability Programme–plus (ESP–plus) with traction control – Works in conjunction with the vehicle's electronic braking and engine systems to keep the vehicle stable in many different situations. ESP monitors a variety of inputs to determine when the vehicle starts to lose traction, it can then immediately respond by varying the brake pressure between up to three wheels and adjust the engine output to help correct the loss of traction and improve stability.		●	●	●		
Braking						
• Four-channel Anti-lock Braking System (ABS) – Prevents the vehicle's wheels from locking up under heavy braking by momentarily reducing brake pressure at the appropriate wheel, ensuring that you can maintain control of the steering.		●	●	●		
• Emergency brake assist – When emergency braking is detected the vehicle automatically applies the maximum possible braking assistance.						
• Electronic brakeforce distribution – Automatically apportions the optimum braking force to each wheel.						
• Hill start assist – Briefly maintains rear brake pressure to stop the vehicle rolling back on an incline.						
Advanced emergency brake assist		●	●	●		
– Standard on Minibus/Trabus/RWD HD 4500 models.						
Advanced Safety Assist Pack						
• Front fog lights • High beam headlight assist • Lane departure warning • Multi-function trip computer – Standard on RWD HD 4500 models. Not available with Lighting Pack option.	XYCO	○	●	●	770.00	924.00
Bulkhead						
• Full-height steel bulkhead without window – Standard on Panel Van / optional on Platform Cab models.	AX6	○			135.00	
• Full-height ABS plastic bulkhead with window – Doublecab only.		●				
• Full-height steel bulkhead with window – Standard on Chassis / Crew Cab models. Optional on Panel Van / Platform Cab models.	AX9	○			50.00	
M1 Type Approval						
• M1 Type Approval for all rear seatbelt anchorages			●			



MOVANO FEATURES/OPTIONS

SECURITY

	Option Code	Movano	Minibus	Trabus	Price (£) exc. VAT	Price (£) inc. VAT
Standard security features		●	●	●		
• Electronic engine deadlock immobiliser • Steering column lock • Secure fuel filler flap						
• Internal lockable rear and sliding side-access doors • Under-floor spare wheel storage – Wind down only when rear doors opened. Standard on Panel Van / Doublecab.		●	●	●		
Remote control door locking (features depending on body type)		●	●	●		
• Selective door locking • Two keys with integral remote • Door deadlocks						
• Third key with integral remote	K69	○	○	○	60.00	72.00
Security alarm system						
• Engine compartment protection • Ultrasonic detectors in load area • Siren • Thatcham Category 1 approved (TCL1-101/1103) – Not available on Platform Cab models.	UA6	○			370.00	



MOVANO FEATURES/OPTIONS

HEATING AND VENTILATION

	Option Code	Movano	Minibus	Trabus	Price (£) exc. VAT	Price (£) inc. VAT
Cab heating • Four-speed fan • Illuminated controls • Four adjustable facia vents • Windscreen demist vents • Side window demist vents		●	●	●		
Air conditioning • Air recirculation facility • Pollen filter • Illuminated controls • Chilled glovebox facility	C60	○		○	700.00	840.00
• Air conditioning front and rear	CJ5		○	○	2,210.00	2,652.00
• Additional rear compartment heating	C46		○		2,010.00	2,412.00
• Additional rear compartment air conditioning and heating	CAW		○	○	4,210.00	5,052.00
Electronic climate control • Incorporating air conditioning • LCD temperature display • Automatic air direction and fan speed with manual override • Illuminated controls • Pollen filter • Chilled glovebox facility	C61	○			910.00	

Please note: The air conditioning in vehicles with N1, N2 or M2 type approval relies upon fluorinated greenhouse gases (R134a) for its functioning. The front system contains a quantity of overall 580g of R 134a, which corresponds to a CO₂ equivalent of 0.83 tons. The front and rear system in versions with up to 9-seats contains a quantity of overall 1,100g of R 134a, which corresponds to a CO₂ equivalent of 1.57 tons. The front and rear system in versions with more than 16-seats contains a quantity of overall 1,700g of R 134a, which corresponds to a CO₂ equivalent of 2.43 tons. The global warming potential amounts to 1430. Information acc. to R (EU) No. 517/2014.

● = Standard equipment. ○ = Optional at extra cost.



MOVANO FEATURES/OPTIONS

COMFORT AND SEATING

	Option Code	Movano	Minibus	Trabus	Price (£) exc. VAT	Price (£) inc. VAT
Comfort <ul style="list-style-type: none"> • Height-adjustable steering wheel • Facia-mounted gear lever • Floor-mounted handbrake lever • Pulse cloth seat trim • Vinyl floor covering • Inertia-reel lap and diagonal seatbelts • Height-adjustable outer front seatbelts • Slip-resistant floor covering – Minibus models. 		●	●	●		
Vinyl seat trim <ul style="list-style-type: none"> • Grey vinyl seat trim – Not available with Convenience Pack / Construction Pack / air-suspended driver's seat options / dual front passengers' multi-function office bench seat. 	TACQ	○			50.00	
Driver's seat <ul style="list-style-type: none"> • Height • Reach • Backrest recline • Height-adjustable padded head restraint • Driver's seat armrest 		●	●	●		
'Comfort' driver's seat <ul style="list-style-type: none"> • Lumbar adjustment • Height • Reach • Backrest recline • Height-adjustable padded head restraint • Centre fold-away armrest – Not available with Construction Pack option or on L4 R3500 HD Dropside models. 	B21	○	○	○	135.00	162.00
Air-suspended driver's seat <ul style="list-style-type: none"> • Lumbar adjustment • Height • Reach • Backrest recline • Height-adjustable padded head restraint • Centre fold-away armrest – Not available with vinyl seat trim option or on L2 Doublecab / Tipper models. 	A5Z	○		○	445.00	534.00
Dual front passengers' bench seat <ul style="list-style-type: none"> • Fixed position bench seat and backrest • Height-adjustable outer front padded head restraint • Fixed centre seat padded head restraint 		●		●		
Dual front passengers' multi-function office bench seat <ul style="list-style-type: none"> • Dual front passengers' bench seat • Centre seat features flat-folding backrest with twin drinks holders, flat work surface and swivelling tray • Underseat storage 			●			



MOVANO FEATURES/OPTIONS

COMFORT AND SEATING CONTINUED

	Option Code	Movano	Minibus	Trabus	Price (£) exc. VAT	Price (£) inc. VAT
Single front passenger's seat • Reach • Backrest recline • Height-adjustable padded head restraint – Not available with Convenience Pack option.	AE1	O		O	60.00	
Single 'Comfort' front passenger's seat • Lumbar adjustment • Reach • Backrest recline • Height-adjustable padded head restraint • Centre fold-away armrest – Only available with driver's comfort / air-suspended driver's seat options.	AHZ	O		O	60.00	
Convenience Pack • 'Comfort' driver's seat with armrest and lumbar support • Multi-function office bench seat with folding seat back on centre passenger seat including swivelling work tray and tilt forward seat cushions with underseat storage • Retractable A4 facia document clip • 'One-touch down' facility for driver's electrically operated window • Bulkhead soundproofing (excluding Platform Cab) – Not available on Crew Cab models.	XiC6	O			235.00	
Full-length soft-trimmed headlining			●			
Full-height interior side mouldings			●			
Doublecab rear seating • Four-individually contoured rear seats • Inertia-reel lap and diagonal seatbelts • Padded head restraints • Integrated storage nets and cup holders • Full-length tray under rear seat cushion		●				
Minibus rear seating • 14-individual rear passenger seats in staggered layout • Raised seating with illuminated gangway • Floor-mounted seat fixing rails and removable seats – Last two rows of seats.	ATW		●	O	440.00	528.00



MOVANO FEATURES/OPTIONS

CABIN STORAGE

	Option Code	Movano	Minibus	Trabus	Price (£) exc. VAT	Price (£) inc. VAT
Accessory sockets • 12-volt accessory socket beside gear lever		●	●	●		
Facia storage • Driver's coin, ticket and card holder • Driver's oddments storage • Lidded glovebox (11-litre capacity) • Central drinks holder • Front passenger semi-covered document tray		●	●	●		
Front door pockets • Large door pocket with capacity for a 2-litre drink bottle • Oddments pocket		●	●	●		
Additional storage • Overhead storage shelf		●	●	●		



MOVANO FEATURES/OPTIONS

DRIVER ASSISTANCE

	Option Code	Movano	Minibus	Trabus	Price (£) exc. VAT	Price (£) inc. VAT
Windscreen wipers • Two-speed windscreen wipers • Variable intermittent wipe • Electric screenwash		●	●	●		
Parking assistance • Rear-view camera – Panel Van / Doublecab models.	UVC	○			760.00	
• Rear parking distance sensors – Not available on Chassis / Crew / Platform Cab models or derivatives.	UD7	○	○	○	275.00	330.00
• Rear-view camera • Rear parking distance sensors – Panel Van / Doublecab models	UCI	○			1,025.00	1,230.00
• Nearside blind spot / junction mirror located in front passenger sunvisor		●	●	●		
Cruise control, speed limiter and multi-function trip computer • Cruise control • Trip odometer • Vehicle range based on remaining fuel • Average speed • Average fuel economy • Instantaneous fuel economy • Driving time	K34	○	○	○	260.00	312.00
Speed limiter – These are factory-fitted speed limiters that cannot be adjusted by driver • Choice of three speeds: 56mph / 62mph / 68mph – 56mph speed limiter standard on RWD HD 4500 models. 62mph speed limiter standard on Minibus / Trabus.	KYJ (56mph) KYK (62mph) KYL (68mph)	○	●	●	85.00	102.00
Rear reversing lens	D31		○		60.00	72.00



MOVANO FEATURES/OPTIONS

DRIVER INFORMATION

	Option Code	Movano	Minibus	Trabus	Price (£) exc. VAT	Price (£) inc. VAT
Instrumentation <ul style="list-style-type: none"> • Speedometer • Rev counter • Digital fuel gauge with low fuel warning light • Coolant temperature gauge with warning light 		●	●	●		
ECO features <ul style="list-style-type: none"> • Shift-up indicator (manual models) – Indicates when to change gear for optimum fuel economy. 		●	●	●		
Driver information display <ul style="list-style-type: none"> • Monochrome display located in instrument cluster • Odometer • Service-due indicator • Displays trip computer data (when fitted) 		●	●	●		
Central facia display <ul style="list-style-type: none"> • Audio information • Digital clock with automatic RDS time adjustment • Outside air temperature with ice warning function • Additional features and location dependent on infotainment unit (see Infotainment for details) 		●	●	●		
Warning indicators <ul style="list-style-type: none"> • Low oil level, low brake fluid, brake pad wear, battery, fuel filter, low AdBlue® level, seatbelt warning and doors open 		●	●	●		
Digital tachograph <ul style="list-style-type: none"> • CANbus interface • Odometer display is changed from miles to kilometres – Standard on RWD HD 4500 / Minibus / Trabus models. Not available with pneumatic rear suspension. – Important: The digital tachograph must be specified at time of ordering as it cannot be fitted retrospectively. Option price does not include calibration which must be carried out at an approved tachograph centre within 14 days of the vehicle's registration. Please note: The legislation regarding the use of tachographs is complex and operators should seek independent advice or speak to the Commercial Vehicle specialist at your Vauxhall retailer to ensure compliance. Alternatively your local DVLA office will also be able to provide clarification of the relevant legislation. 	TGP	○	●	●	535.00	642.00



MOVANO FEATURES/OPTIONS

INFOTAINMENT

	Option Code	Movano	Minibus	Trabus	Price (£) exc. VAT	Price (£) inc. VAT
<p>CD 16 BT USB</p> <p>Onboard features:</p> <ul style="list-style-type: none"> • DAB digital radio • AM/FM stereo radio with 18-station presets • CD/MP3 CD player • High-level display • RDS with Traffic Programme • Two 15-watt speakers <p>Media connections:</p> <ul style="list-style-type: none"> • USB connection with iPod control • Aux-in socket • Bluetooth® audio streaming (A2DP Profile) <p>Mobile phone portal:</p> <ul style="list-style-type: none"> • Bluetooth® connectivity • Handsfree calls via steering wheel controls • Vehicle microphone • Phone book access – Contacts/last calls/missed calls etc. (features dependent on mobile phone). 		●	●	●		
<p>NAVI 50 IntelliLink</p> <p>Onboard features:</p> <ul style="list-style-type: none"> • DAB digital radio • AM/FM stereo radio with 18-station presets • 7-inch facia-mounted colour touchscreen • RDS with Traffic Programme • Two 20-watt speakers <p>Navigation features:</p> <ul style="list-style-type: none"> • Satellite navigation system • 3D street level mapping • Major route mapping for Western Europe <p>Media connections:</p> <ul style="list-style-type: none"> • USB connection with iPod control • Aux-in socket • Bluetooth® audio streaming (A2DP Profile) <p>Mobile phone portal:</p> <ul style="list-style-type: none"> • Bluetooth® connectivity • Handsfree calls via steering wheel controls • Vehicle microphone • Phone book access – Contacts/last calls/missed calls etc. are mirrored on IntelliLink's display and are easily navigated using the touchscreen (features dependent on mobile phone). 	100	○		○	660.00	792.00



MOVANO FEATURES/OPTIONS

INFOTAINMENT CONTINUED

	Option Code	Movano	Minibus	Trabus	Price (£) exc. VAT	Price (£) inc. VAT
<p>NAVI 80 IntelliLink</p> <p>Onboard features:</p> <ul style="list-style-type: none"> • DAB digital radio • AM/FM stereo radio with 18-station presets • 7-inch facia-mounted colour touchscreen • RDS with Traffic Programme • Two speakers • 20 watts per channel output <p>Navigation features:</p> <ul style="list-style-type: none"> • Satellite navigation system • TomTom LIVE services (inclusive subscription for TomTom LIVE ends 31 December 2020, and cannot be renewed) • 3D street level mapping • Major route mapping for Western Europe <p>Media connections:</p> <ul style="list-style-type: none"> • USB connection with iPod control • Aux-in socket • Bluetooth® audio streaming (A2DP Profile) • Integrated voice control <p>Mobile phone portal:</p> <ul style="list-style-type: none"> • Bluetooth® connectivity • Handsfree calls via steering wheel controls • Vehicle microphone • Phone book access – Contacts/last calls/missed calls etc. are mirrored on IntelliLink's display and are easily navigated using the touchscreen (features dependent on mobile phone). 	2L9	○		○	1,080.00	1,296.00
<p>Additional features</p> <ul style="list-style-type: none"> • Steering column mounted audio controls • Flexible roof-mounted aerial 		●	●	●		



MOVANO FEATURES/OPTIONS

LOAD ACCESS

	Option Code	Movano	Minibus	Trabus	Price (£) exc. VAT	Price (£) inc. VAT
Nearside access						
Nearside side-access door: • Nearside sliding side-access door • Unglazed – Standard on Panel Van.		●				
Nearside side-access door with fixed windows: • Fixed window to standard nearside sliding side-access door (£200) • Fixed window to opposite offside body panel (£165) – Standard on Doublecab.		▲	●	●	365.00	
Nearside side-access door with sliding windows: • Sliding window to standard nearside sliding side-access door (£335) • Sliding window to opposite offside body panel (£335)		▲		▲	670.00	
Nearside sidestep: • Electrically operated sidestep			●			
Offside access						
Offside side-access door: • Offside sliding side-access door • Unglazed – Panel Van only.		▲			310.00	
Offside side-access door with fixed windows: • Fixed window to standard nearside sliding side-access door (£200) • Offside side-access door (£310) • Fixed window to offside side-access door (£165)		▲			675.00	
Offside side-access door with sliding windows: • Sliding window to standard nearside sliding side-access door (£335) • Offside side-access door (£310) • Sliding window to offside side-access door (£335)		▲			980.00	1,176.00



MOVANO FEATURES/OPTIONS

LOAD ACCESS CONTINUED

	Option Code	Movano	Minibus	Trabus	Price (£) exc. VAT	Price (£) inc. VAT
Rear access		●				
Rear solid doors: • Twin rear doors • 90°/180° opening						
• Twin rear doors • 270° opening – Not available on L1 models.	7U4	○			285.00	
Rear glazed doors: • Glazed rear doors • 90°/180° opening	J1X	○	●	●	110.00	
• Glazed rear doors • 270° opening – Not available on L1 models.	J1T	○			385.00	
• Heated rear windows – Only available with glazed rear doors.	C49	○	○	○	110.00	132.00
Glazed Pack						
• Fixed window to standard nearside side-access door • Fixed window to opposite offside body panel • Rear glazed doors • Rear glazed side panels	A10	○	●	●	430.00	



MOVANO FEATURES/OPTIONS

LOAD RESTRAINT

	Option Code	Movano	Minibus	Trabus	Price (£) exc. VAT	Price (£) inc. VAT
Load anchorage						
<ul style="list-style-type: none"> Fixed floor-mounted load restraint lashing eyes (L1 models x 6, L2/L3 models x 8, L4 models x 10) Nearside/offside rear door column load restraint lashing eyes 		●				
<ul style="list-style-type: none"> Fixed side-mounted anchorage points (x 8) – Not available with grab handle options. 	ANY	○			85.00	
Load lining						
<ul style="list-style-type: none"> Full-height plywood load lining Plywood wheel arch protection – Not available with glazed side-access door(s). Only available with resin-coated plywood load floor covering. 	N20	L1 H1	○		590.00	
		L1 H2	○		600.00	
		L2	○		615.00	
		L3	○		630.00	
		L4	○		780.00	
<ul style="list-style-type: none"> Resin-coated plywood load floor covering 	B68	L1/L2	○		330.00	
		L3/L4	○		370.00	
Additional load area features						
<ul style="list-style-type: none"> Two grab handles (side-access and rear doors) – Panel Van only. Not available with side-mounted anchorage points. 	XBBG	○			75.00	
<ul style="list-style-type: none"> Three grab handles (two side-access and rear doors) – Panel Van only. Not available with side-mounted anchorage points. 	XBEJ	○			100.00	
Illuminated load area						
		●				
LED illuminated load area						
	XBHN	○			95.00	
Individual saloon lighting						
			●			



MOVANO FEATURES/OPTIONS

EXTERIOR CONVENIENCE / STYLING

	Option Code	Movano	Minibus	Trabus	Price (£) exc. VAT	Price (£) inc. VAT
Exterior features		●	●	●		
• Integral steps in front bumper • Laminated windscreen • Body side-protection mouldings						
• Front and rear mudflaps	Q8H	○	○	○	80.00	96.00
• Rear bumper with integral step – Standard on RWD / RWD HD Panel Van / Doublecab models. Optional on FWD Panel Van / Doublecab models.	VF6	○			260.00	312.00
Windows		●	●	●		
• Electrically operated front windows						
• Top opening rear windows – L3 Trabus models only.	AD5		○	○	1,510.00	1,812.00
Door mirrors		●	●	●		
• Foldable electrically adjustable/heated door mirrors • Wide-angle mirror on driver's side • Integrated side-repeat indicators						
Extendable door mirrors (Chassis, Crew and Platform Cab)						
• Long arm exterior mirrors – Long arm exterior mirrors should be applied to any vehicle with an overall width of 2.17 to 2.35 metres.	DBE	○			85.00	
Paint finish		○	○	○		
• Special paint – Restrictions apply, please consult your Retailer for details.						At extra cost



MOVANO FEATURES/OPTIONS

EXTERIOR LIGHTING

	Option Code	Movano	Minibus	Trabus	Price (£) exc. VAT	Price (£) inc. VAT
Standard lighting <ul style="list-style-type: none"> Lights-on audible warning • Manual headlight beam levelling Twin reversing lights • Hazard warning lights • Rear fog lights Centre rear brake light (excluding Chassis / Crew / Platform Cab models or derivatives) Side-repeater in exterior mirrors 		●	●	●		
<ul style="list-style-type: none"> Front fog lights – Standard on 4500 models. 	T3U	○	●	●	105.00	126.00
Lighting Pack <ul style="list-style-type: none"> Static cornering lights • Front fog lights • Automatic lighting control Rain-sensitive windscreen wipers • Door-to-door illumination – Standard on 4500 models. 	HME	○			255.00	306.00



MOVANO FEATURES/OPTIONS

MECHANICAL

	Option Code	Movano	Minibus	Trabus	Price (£) exc. VAT	Price (£) inc. VAT																	
Transmission Six-speed manual gearbox: FWD models: • Transverse engine/gearbox • L1/L2/L3 models RWD / RWD HD models: • Longitudinal engine/gearbox • L3/L4 models		●	●	●																			
Tecshift six-speed transmission: Tecshift transmission adds electronic control for both the clutch and gear selection to the standard six speed transmission. <ul style="list-style-type: none"> • Electronic clutch control – Tecshift automatically operates the clutch, meaning that there is no clutch pedal and the vehicle can be driven by an ‘automatic-only’ driving licence holder. • Electronic gear selection – Tecshift also controls gear selection, leaving the driver with two gear-shifting options – automatic or manual. • Automatic mode – The driver selects forward or reverse gear and Tecshift does everything else, just like an automatic gearbox. • Manual mode – The driver can change gear sequentially by pushing the lever forward (higher gear) or pulling it backwards (lower gear). • A ‘kickdown’ function – Going through two or more gears – is also possible in manual mode. 		○			See price pages																		
Steering • Power-assisted rack and pinion system • Turns lock-to-lock: 3.7																							
Turning circles <table border="1"> <thead> <tr> <th></th> <th>Kerb-to-kerb</th> <th>Wall-to-wall</th> </tr> </thead> <tbody> <tr> <td>FWD L1</td> <td>12.0m (39.3ft.)</td> <td>12.5m (41.0ft.)</td> </tr> <tr> <td>FWD / RWD / RWD HD L2</td> <td>13.6m (44.6ft.)</td> <td>14.1m (46.2ft.)</td> </tr> <tr> <td>FWD L3</td> <td>15.7m (51.5ft.)</td> <td>16.2m (53.1ft.)</td> </tr> <tr> <td>RWD / RWD HD L3</td> <td>13.6m (44.6ft.)</td> <td>14.1m (46.2ft.)</td> </tr> <tr> <td>RWD / RWD HD L4</td> <td>15.7m (51.5ft.)</td> <td>16.2m (53.1ft.)</td> </tr> </tbody> </table>		Kerb-to-kerb	Wall-to-wall	FWD L1	12.0m (39.3ft.)	12.5m (41.0ft.)	FWD / RWD / RWD HD L2	13.6m (44.6ft.)	14.1m (46.2ft.)	FWD L3	15.7m (51.5ft.)	16.2m (53.1ft.)	RWD / RWD HD L3	13.6m (44.6ft.)	14.1m (46.2ft.)	RWD / RWD HD L4	15.7m (51.5ft.)	16.2m (53.1ft.)		●	●	●	
	Kerb-to-kerb	Wall-to-wall																					
FWD L1	12.0m (39.3ft.)	12.5m (41.0ft.)																					
FWD / RWD / RWD HD L2	13.6m (44.6ft.)	14.1m (46.2ft.)																					
FWD L3	15.7m (51.5ft.)	16.2m (53.1ft.)																					
RWD / RWD HD L3	13.6m (44.6ft.)	14.1m (46.2ft.)																					
RWD / RWD HD L4	15.7m (51.5ft.)	16.2m (53.1ft.)																					
Brakes Front ventilated disc brakes: • FWD / RWD / RWD HD: 302mm x 28mm Rear disc brakes: • FWD / RWD: 305mm x 12mm • RWD HD: 305mm x 18mm		●	●	●																			



MOVANO FEATURES/OPTIONS

MECHANICAL CONTINUED

	Option Code	Movano	Minibus	Trabus	Price (£) exc. VAT	Price (£) inc. VAT
Power take-off (manual models only)						
• Engine driven power take-off – Single turbo FWD. Not with air conditioning / electronic climate control options. – BiTurbo FWD and all RWD. Only available with air conditioning / electronic climate control options.	V66	○			160.00	
• Gearbox-driven power take-off – RWD / RWD HD models only. Not available with increased engine idle speed.	M1F	○			460.00	
• Increased engine idle speed – Not available with 110PS Start/Stop engines.	UF3	○			60.00	
Fuel tank						
• 80 litres (17.6 gallons) capacity		●	●	●		
• 105 litres (23.1 gallons) capacity – Not available on Core Conversions (excluding L3 Box).	NH7	○		○	110.00	132.00
AdBlue® tank						
• 22 litres (4.8 gallons) capacity		●	●	●		
Towing						
• Tow bar with 13-pin electrics (does not suit trailers with LED lights) • Trailer stability programme – Unless specific exemptions apply, vehicles operated with a trailer, where the combined weight of the vehicle, trailer and payload exceeds 3500kg, require a digital tachograph. For trailers with LED lights use genuine Vauxhall Accessory tow bars which also include trailer stability programme. Not available on Aluminium Tipper L4 HI RWD Crew Cab HD models.	VR2 / VTO	○			385.00	462.00
Electrical						
• 95Ah maintenance-free battery (105Ah on Tecshift models) • 185A alternator		●	●	●		
• Second battery – Not available with single passenger seat options / Air-suspended driver's seat.	OBC	○	○		485.00	582.00
CANbus interface						
Allows the vehicle's electrical systems to integrate with additional equipment. – Standard on RWD HD 4500 models.	KC6	○			135.00	
Six-pin electrical connector for conversions						
– Standard on Dropside / Tipper.	KPD	○			60.00	



MOVANO FEATURES/OPTIONS

MECHANICAL CONTINUED

	Option Code	Movano	Minibus	Trabus	Price (£) exc. VAT	Price (£) inc. VAT
Vehicle tracking						
A supplementary vehicle enhancement applied and supported by Masternaut as a 3rd Party Converter. This enhancement does not include Aftersales support. The enhancement is reversible. The telematics services are provided by Masternaut Limited ('Masternaut') and are subject to the end-user terms of Masternaut. Masternaut is an independent technology service provider. Vauxhall is not provider and not responsible for the telematics services offered by Masternaut.						
• Telematic box – Base	XIDM	○	○	○	250.00	300.00
• Telematic box – Premium	XIDN	○	○	○	330.00	396.00
Front suspension						
• MacPherson type • Independent double wishbones • Coil springs • Telescopic dampers		●	●	●		
Rear suspension						
• Tubular axle • Telescopic dampers • Variable rate leaf springs FWD models: • Single leaf springs • Single rear wheels RWD models: • Double leaf springs • Single rear wheels RWD HD models: • Triple leaf springs • Twin rear wheels		●	●	●		
Pneumatic rear suspension						
– Only available with six-pin connector and CANbus. – Only available on FWD 3300 / FWD 3500 L2/L3 models.	F47	○			2,050.00	
Automatic locking rear differential (RWD models only)						
	G94	○			510.00	
Construction Pack (RWD models only)						
• Air-suspended driver's seat with armrest • Automatic locking rear differential • Tow bar with 13-pin electrics – Does not suit trailers with LED lights. • Trailer stability programme – Not available on Tipper / Box Van. For trailers with LED lights use genuine Vauxhall Accessory tow bars which also include trailer stability programme.	HMG	○			1,470.00	
Body Conversion Pack A (Chassis and Platform Cab)						
• Extended wiring loom • Six-pin connector for conversions • 16-pin connector for cab-based conversions	XZCM	○			95.00	
Body Conversion Pack B (Crew Cab)						
• Extended wiring loom • Six-pin connector for conversions	XZCN	○			60.00	



MOVANO FEATURES/OPTIONS

ADDITIONAL FEATURES

	Option Code	Movano	Minibus	Trabus	Price (£) exc. VAT	Price (£) inc. VAT
<p>Tipper</p> <p>Tipper assembly:</p> <ul style="list-style-type: none"> • Five-stage chrome-plated underfloor ram • Sliding and internal self-lubricating components made of reinforced nylon and Teflon • Anti-vibration Teflon plates on a secondary frame <p>Tipper deck:</p> <ul style="list-style-type: none"> • Steel platform, powder coated in dark grey • Integrated cabin protection and ladder rack • 400mm anodised aluminium removable side and rear alloy panels with recessed hinges • Top and bottom hinged rear panel • Recessed side and tailboard operating levers • Removable rear posts • Galvanised fixing bolts • Automatically releasing rear panel during the rear tipping phase • Frame and cross-members in edged galvanised sheet <p>Electrics:</p> <ul style="list-style-type: none"> • Audible warning during operation • Fused power supply with isolator switch • Electro/hydraulic power pack • Side lights where required • Remote control on wander lead located behind driver's seat <p>Exterior:</p> <ul style="list-style-type: none"> • Additional half-height tool box on L3 Chassis Cab Tipper models (2100 x 650 x 750mm) • Rear mudflaps <p>Load restraint:</p> <ul style="list-style-type: none"> • Eight integrated load lashing points conforming to DIN 75410 standards 		●				
<p>Dropside</p> <p>Exterior:</p> <ul style="list-style-type: none"> • Plywood load floor with non-slip resin surface coating • Integrated cabin protection and ladder rack • 400mm anodised aluminium removable side and rear alloy panels with recessed hinges • Removable rear posts • Integrated load lashing rings conforming to DIN 75410 standards • Rear mudguards • Galvanised fixing bolts • Side lights where required • Frame and cross-members in edged galvanised sheet 		●				
<p>Box Van</p> <p>Interior / exterior:</p> <ul style="list-style-type: none"> • Polyester lightweight box with smooth external appearance • Aluminium frame • Long arm exterior mirrors • 18mm plywood covered anti-slip floor • Twin rear 270° opening aluminium doors • Folding rear step fitted to offside 		●				
Luton head	Z1D	○			770.00	
Rear roller shutter door	D5W	○			760.00	

● = Standard equipment. ○ = Optional at extra cost.



MOVANO EXTERIOR COLOURS


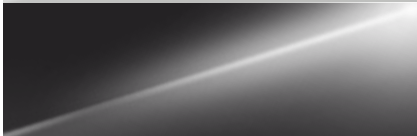
			Option Code	Movano	Minibus	Trabus	Price (£) exc. VAT	Price (£) inc. VAT
Solid		Polar White	GNY					
		North Sea Blue	24U	●	●	●		
		Signal Blue	GKX					
		Saffron Yellow	98U					
Brilliant		Poppy Red	74U	○	○	○	320.00	384.00
		Mandarin Orange	99U					

The colours reproduced may vary slightly from the actual paint colour. As a result they should be used as a guide only. Your Vauxhall Retailer has a comprehensive display of our paint samples. On Cab and Conversion variants the colours illustrated apply to the vehicle cab only.

● = Standard equipment. ○ = Optional at extra cost.



MOVANO EXTERIOR COLOURS

		Option Code	Movano	Minibus	Trabus	Price (£) exc. VAT	Price (£) inc. VAT
Two-coat		Halo Silver metallic					
		Pearl Black metallic	O	O	O	450.00	540.00
		Ambient Blue metallic	GKW				

The colours reproduced may vary slightly from the actual paint colour. As a result they should be used as a guide only. Your Vauxhall Retailer has a comprehensive display of our paint samples. On Cab and Conversion variants the colours illustrated apply to the vehicle cab only.

O = Optional at extra cost.



MOVANO WHEELS AND TYRES

	Option Code	Movano	Minibus	Trabus	Price (£) exc. VAT	Price (£) inc. VAT
FWD 2800 / FWD 3300 models <ul style="list-style-type: none"> • 6.5J x 16-inch steel wheels • 215/65 R 16 tyres • Full-size spare wheel • Wheel centre covers 		●				
FWD 3500/3900 models <ul style="list-style-type: none"> • 6.5J x 16-inch steel wheels • 225/65 R 16 tyres • Full-size spare wheel – Excludes Minibus models. • Wheel centre covers 		●	●	●		
RWD 3500 models <ul style="list-style-type: none"> • 7J x 16-inch steel wheels • 235/65 R 16 tyres • Full-size spare wheel • Wheel centre covers 		●				
RWD HD 3500 / RWD HD 4500 models <ul style="list-style-type: none"> • 5.5J x 16-inch steel wheels • 195/75 R 16 tyres • Twin rear wheels • Full-size spare wheel 		●				



MOVANO WHEELS AND TYRES

	Option Code	Movano	Minibus	Trabus	Price (£) exc. VAT	Price (£) inc. VAT
All-season tyres – Continental Vanco Four Season 2 FWD models: 225/65 R 16 – Not available on FWD 2800 models. RWD models: 235/65 R 16 RWD HD models: 195/75 R 16	NRK	O	O	O	360.00	432.00
Full-diameter wheel covers – Not available on RWD HD models.	QP9	O	O	O	60.00	72.00
Tyre inflation kit in lieu of spare wheel – Not available on RWD / RWD HD models.	WTC	N/C	●	N/C	No-cost option	

Tyre Rating

Tyre size	Fuel efficiency	Wet grip	External noise	
	group	performance	Measured (dB)	Group
195/75 R 16	B	B	72	
215/65 R 16	B	B	71	
225/65 R 16	B-E	B-C	70	
235/65 R 16	C-E	B	70	

Tyre rating according to EU Regulation 1222/2009



MOVANO DIESEL ENGINES

Engine	2.3CDTi (110PS) BlueInjection	2.3CDTi (130PS) BlueInjection	2.3CDTi BiTurbo (130PS) BlueInjection
Capacity	2298cc	2298cc	2298cc
Maximum power	110PS (81kW) @ 3500rpm	130PS (96kW) @ 3500rpm	130PS (96kW) @ 3500rpm
Maximum torque	290Nm (214 lb.ft.) @ 1500rpm	320Nm (236 lb.ft.) @ 1500rpm	330Nm (243 lb.ft.) @ 1500rpm
Configuration	4 cylinders, 4 valves per cylinder, double overhead camshafts	4 cylinders, 4 valves per cylinder, double overhead camshafts	4 cylinders, 4 valves per cylinder, double overhead camshafts
Fuel/induction system	Fixed geometry turbocharger and intercooler. Common rail fuel injection	Fixed geometry turbocharger and intercooler. Common rail fuel injection	Twin variable geometry turbochargers and intercoolers. Common rail fuel injection
Emission compliance	Euro 6B (6.1)	Euro 6B (6.1)	Euro VI
Service interval	25,000 miles or two years (whichever occurs sooner)	25,000 miles or two years (whichever occurs sooner)	25,000 miles or two years (whichever occurs sooner)

Engine	2.3CDTi BiTurbo (145PS) BlueInjection with S/S	2.3CDTi BiTurbo (163PS) BlueInjection with S/S	2.3CDTi BiTurbo (170PS) BlueInjection with S/S
Capacity	2298cc	2298cc	2298cc
Maximum power	145PS (107kW) @ 3500rpm	163PS (120kW) @ 3500rpm	170PS (125kW) @ 3500rpm
Maximum torque	360Nm (266 lb.ft.) @ 1500rpm	360Nm (266 lb.ft.) @ 1500-2750rpm	380Nm (280 lb.ft.) @ 1500rpm
Configuration	4 cylinders, 4 valves per cylinder, double overhead camshafts	4 cylinders, 4 valves per cylinder, double overhead camshafts	4 cylinders, 4 valves per cylinder, double overhead camshafts
Fuel/induction system	Twin variable geometry turbochargers with intercoolers. Common rail fuel injection	Twin variable geometry turbochargers with intercoolers. Common rail fuel injection	Twin variable geometry turbochargers with intercoolers. Common rail fuel injection
Emission compliance	Euro 6B (6.1) (FWD) / Euro VI (RWD)	Euro VI	Euro 6B (6.1)
Service interval	25,000 miles (20,000 miles on Minibus models) or two years (whichever occurs sooner)	25,000 miles or two years (whichever occurs sooner)	25,000 miles or two years (whichever occurs sooner)

S/S = Start/Stop.

Vehicles with BlueInjection technology will need regular AdBlue® top-ups also between servicing requirements. An indicator integrated into the on-board computer will warn you when you need to top up. More information under www.vauxhall.co.uk/adblue In accordance with regulations R (EC) No. 715/2007 and R (EC) No. 692/2008 (in the versions respectively applicable).



MOVANO FWD PANEL VAN SPECIFICATIONS

MOVANO - FWD PANEL VAN

Loadspace Dimensions millimetres (inches)	L1	L2	L3
Maximum length	2583 (101.7)	3083 (121.4)	3733 (147.0)
Maximum width	1765 (69.5)	1765 (69.5)	1765 (69.5)
Width between wheel arches	1380 (54.3)	1380 (54.3)	1380 (54.3)
Maximum height - H1	1700 (66.9)	-	-
Maximum height - H2	1894 (74.6)	1894 (74.6)	1894 (74.6)
Maximum height - H3	-	2144 (84.4)	2144 (84.4)

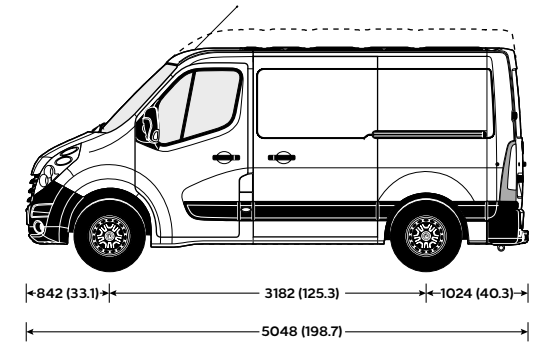
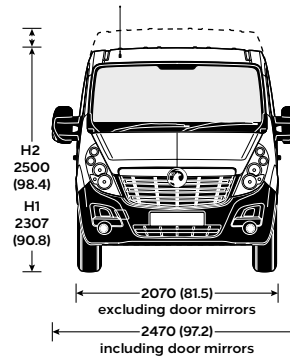
Loadspace Access millimetres (inches)	L1	L2	L3
Side door aperture height - H1	1581 (62.2)	-	-
Side door aperture height - H2/H3	1780 (70.1)	1780 (70.1)	1780 (70.1)
Side door aperture width	1050 (41.3)	1270 (50.0)	1270 (50.0)
Rear door aperture height - H1	1627 (64.0)	-	-
Rear door aperture height - H2/H3	1820 (71.7)	1820 (71.7)	1820 (71.7)
Rear door aperture width	1577 (62.1)	1577 (62.1)	1577 (62.1)
Loading height (unladen)	563 (22.2)	562 (22.1)	557 (21.9)

	L1 H1	L1 H2	L2 H2	L2 H3	L3 H2	L3 H3
Loadspace Volumes cu.m (cu.ft.)						
Panel Van - Maximum	7.8 (275)	8.6 (304)	10.8 (381)	12.3 (434)	13.0 (459)	14.8 (523)
Panel Van - VDA	7.0 (247)	-	9.4 (322)	-	11.3 (399)	-

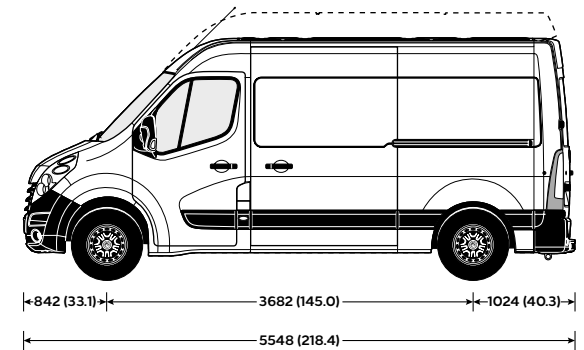
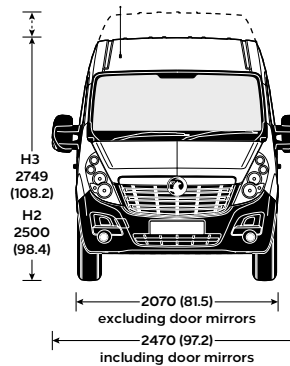
Plated Weights and Towing Data kg

Model		Gross Vehicle Weights (GVW)	Plated weights		Towing weights		Plated Gross Combination Weights (GCW)
			Front axle	Rear axle	Braked	Un-braked	
L1 H1/H2 Panel Van	F2800	2800	1550	1650	2500	750	5300
	F3300	3300	1650	1900	2500	750	5800
	F3500	3500	1850	2100	2500	750	6000
L2 H2/H3 Panel Van	F3300	3300	1700	1900	2500	750	5800
	F3500	3500	1850	2100	2500	750	6000
L3 H2/H3 Panel Van	F3500	3500	1850	2100	2500	750	6000

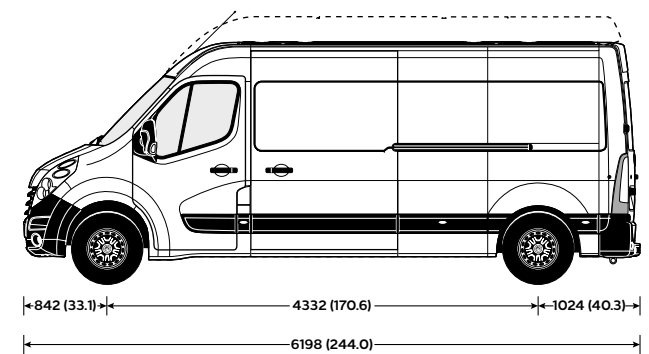
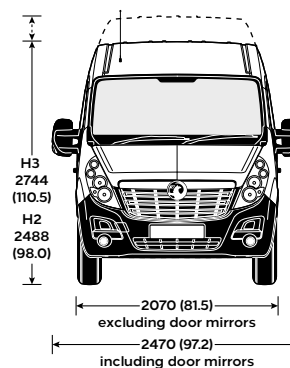
Gross plated weights (including axle weights) quoted on the vehicle plate are to UK plated weight specification and must never be exceeded. For further information please see Glossary of Terms.
All measurements are in mm (inches) unless stated otherwise. Heights shown are unladen.



L1 H1/H2



L2 H2/H3



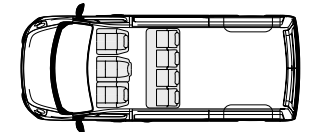
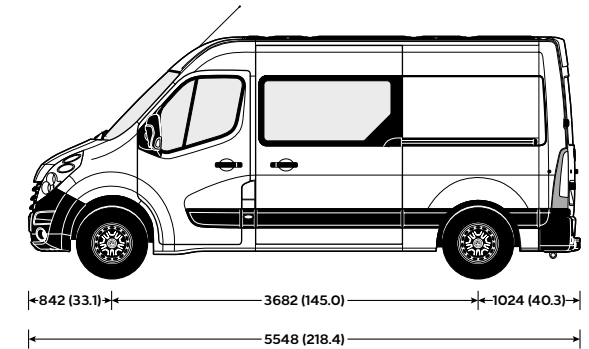
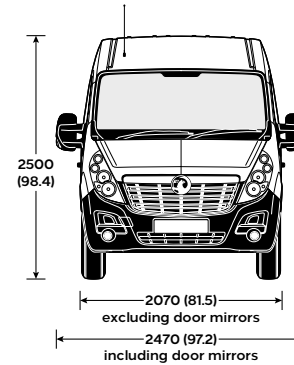
L3 H2/H3



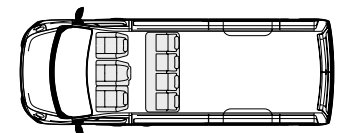
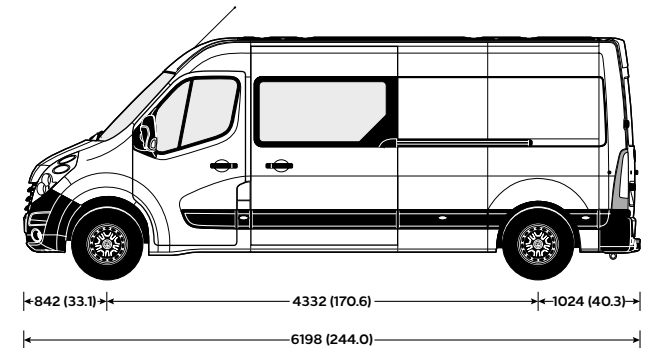
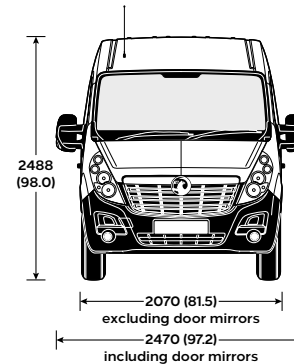
MOVANO FWD DOUBLECAB SPECIFICATIONS

MOVANO - FWD DOUBLECAB	L2	L3
Loadspace Dimensions millimetres (inches)		
Maximum length at load floor	2175 (85.6)	2825 (111.2)
Maximum length behind rear seats	1990 (78.3)	2640 (103.9)
Maximum width	1765 (69.5)	1765 (69.5)
Width between wheel arches	1380 (54.3)	1380 (54.3)
Maximum height	1894 (74.6)	1894 (74.6)
Loadspace Access millimetres (inches)		
Side door aperture height	1780 (70.1)	1780 (70.1)
Side door aperture width	1270 (50.0)	1270 (50.0)
Rear door aperture height	1820 (71.7)	1820 (71.7)
Rear door aperture width	1577 (62.1)	1577 (62.1)
Loading height (unladen)	562 (22.1)	557 (21.9)
Loadspace Volumes cu.m (cu.ft.)		
Doublecab	6.9 (244)	9.0 (318)

Plated Weights and Towing Data kg							
Model		Gross Vehicle Weights (GVW)	Plated weights Front axle	Rear axle	Towing weights Braked	Un-braked	Plated Gross Combination Weights (GCW)
L2 H2/L3 H2 Doublecab	F3500	3500	1850	2100	2500	750	6000



L2 H2



L3 H2

Gross plated weights (including axle weights) quoted on the vehicle plate are to UK plated weight specification and must never be exceeded. For further information please see Glossary of Terms.

All measurements are in mm (inches) unless stated otherwise. Heights shown are unladen.



MOVANO RWD DOUBLECAB SPECIFICATIONS

MOVANO - RWD DOUBLECAB

L3

Loadspace Dimensions millimetres (inches)

Maximum length at load floor	2825 (111.2)
Maximum length behind rear seats	2640 (103.9)
Maximum width	1765 (69.5)
Width between wheel arches	1380 (54.3)
Maximum height	1798 (70.8)

Loadspace Access millimetres (inches)

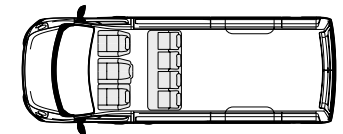
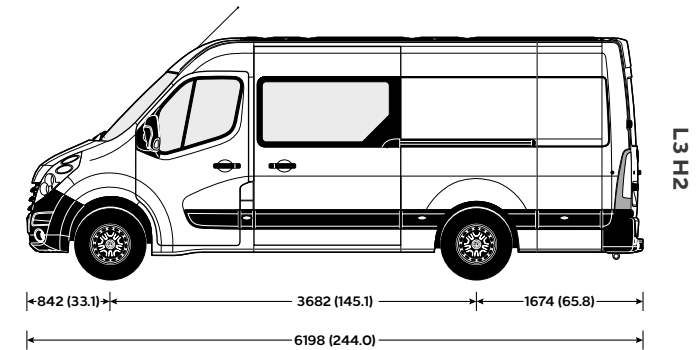
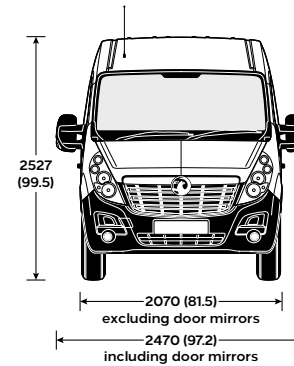
Side door aperture height	1684 (66.3)
Side door aperture width	1270 (50.0)
Rear door aperture height	1724 (67.9)
Rear door aperture width	1577 (62.1)
Loading heights (unladen)	674 (26.5) – 696 (27.4)

Loadspace Volumes cu.m (cu.ft.)

Doublecab	8.4 (297)
-----------	-----------

Plated Weights and Towing Data kg

Model		Gross Vehicle Weights (GVW)	Plated weights		Towing weights		Plated Gross Combination Weights (GCW)
			Front axle	Rear axle	Braked	Un-braked	
L3 H2 Doublecab	R3500	3500	1850	2300	2500	750	6000



Gross plated weights (including axle weights) quoted on the vehicle plate are to UK plated weight specification and must never be exceeded. For further information please see Glossary of Terms.

All measurements are in mm (inches) unless stated otherwise. Heights shown are unladen.



MOVANO RWD PANEL VAN SPECIFICATIONS

MOVANO – RWD PANEL VAN

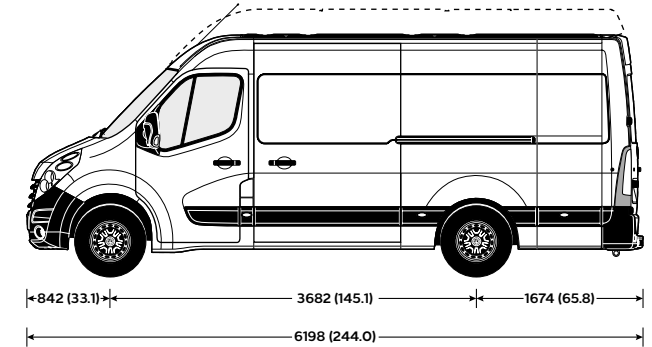
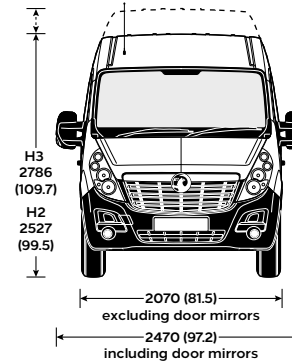
	L3	L4
Loadspace Dimensions millimetres (inches)		
Maximum length	3733 (147.0)	4383 (172.6)
Maximum width	1765 (69.5)	1765 (69.5)
Width between wheel arches	1380 (54.3)	1380 (54.3)
Maximum height – H2	1798 (70.8)	1798 (70.8)
Maximum height – H3	2048 (80.6)	2048 (80.6)

Loadspace Access millimetres (inches)		
Side door aperture height	1684 (66.3)	1684 (66.3)
Side door aperture width	1270 (50.0)	1270 (50.0)
Rear door aperture height	1724 (67.9)	1724 (67.9)
Rear door aperture width	1577 (62.1)	1577 (62.1)
Loading heights (unladen)	696 (27.4) – 724 (28.5)	717 (28.2)

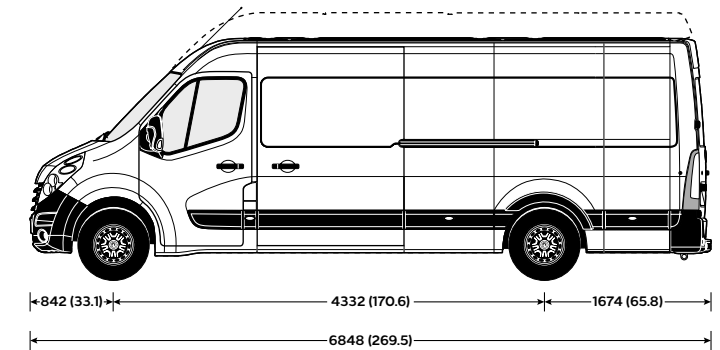
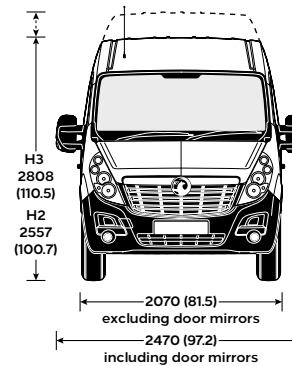
	L3 H2	L3 H3	L4 H2	L4 H3
Loadspace Volumes cu.m (cu.ft.)				
Panel Van – Maximum	12.4 (438)	14.2 (501)	14.9 (526)	17.0 (600)
Panel Van – VDA	10.9 (385)	12.2 (431)	12.9 (456)	14.1 (498)

Plated Weights and Towing Data kg

Model		Gross Vehicle Weights (GVW)	Plated weights		Towing weights		Plated Gross Combination Weights (GCW)
			Front axle	Rear axle	Braked	Un-braked	
L3 H2/H3 Panel Van	R3500	3500	1850	2300	2500	750	6000
L4 H2/H3 Panel Van	R3500	3500	1850	2300	2500	750	6000



L3 H2/H3



L4 H2/H3

Gross plated weights (including axle weights) quoted on the vehicle plate are to UK plated weight specification and must never be exceeded. For further information please see Glossary of Terms.

All measurements are in mm (inches) unless stated otherwise. Heights shown are unladen.



MOVANO RWD HD PANEL VAN SPECIFICATIONS

MOVANO – RWD HD PANEL VAN

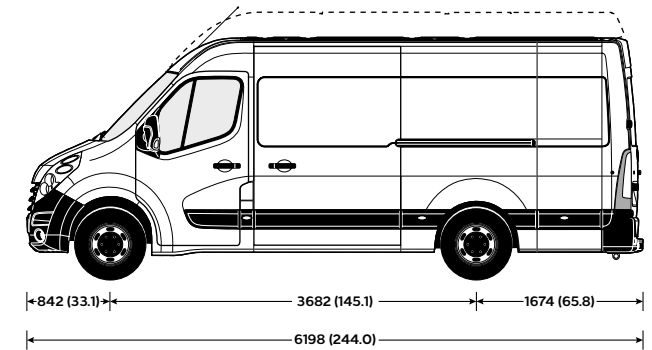
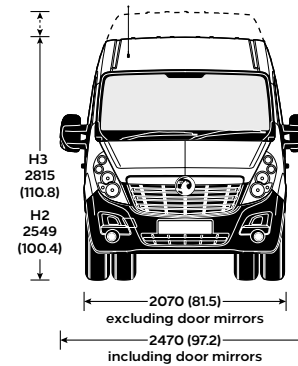
	L3	L4
Loadspace Dimensions millimetres (inches)		
Maximum length	3733 (147.0)	4383 (172.6)
Maximum width	1765 (69.5)	1765 (69.5)
Width between wheel arches	1080 (42.5)	1080 (42.5)
Maximum height – H2	1798 (70.8)	1798 (70.8)
Maximum height – H3	2048 (80.6)	2048 (80.6)

Loadspace Access millimetres (inches)		
Side door aperture height	1684 (66.3)	1684 (66.3)
Side door aperture width	1270 (50.0)	1270 (50.0)
Rear door aperture height	1724 (67.9)	1724 (67.9)
Rear door aperture width	1577 (62.1)	1577 (62.1)
Loading heights	723 (28.4) – 724 (28.5)	717 (28.2)

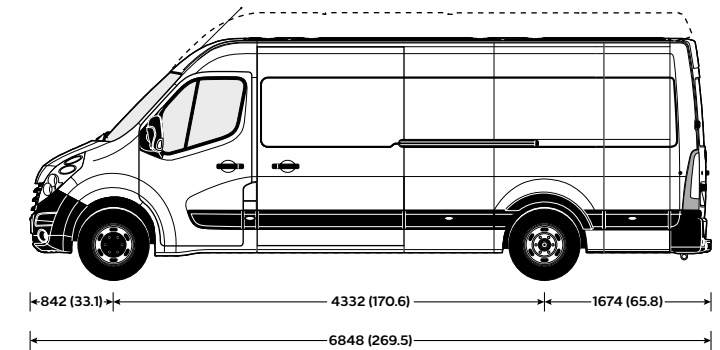
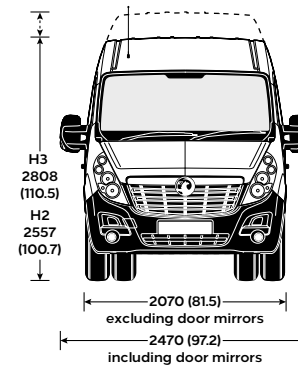
	L3 H2	L3 H3	L4 H2	L4 H3
Loadspace Volumes cu.m (cu.ft.)				
Panel Van – Maximum	12.4 (438)	14.2 (501)	14.9 (526)	17.0 (600)
Panel Van – VDA	10.7 (378)	12.0 (424)	12.7 (448)	13.9 (491)

Plated Weights and Towing Data kg

Model		Gross Vehicle Weights (GVW)	Plated weights		Towing weights		Plated Gross Combination Weights (GCW)
			Front axle	Rear axle	Braked	Un-braked	
L3 H2/H3 Panel Van	R3500HD	3500	1850	2800	3000	750	6500
L3 H2/H3 Panel Van	R4500HD	4500	1850	3200	3000	750	7500
L4 H2/H3 Panel Van	R3500HD	3500	1850	2800	3000	750	6500
L4 H2/H3 Panel Van	R4500HD	4500	1850	3200	3000	750	7500



L3 H2/H3



L4 H2/H3

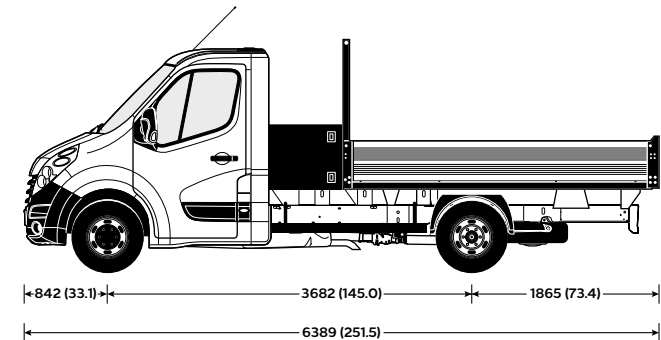
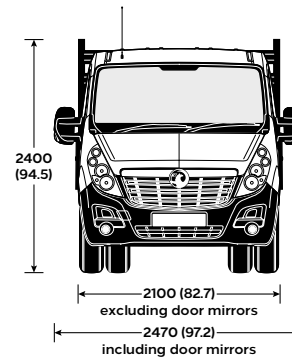
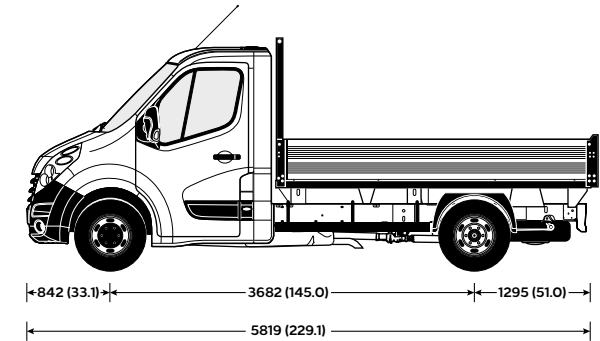
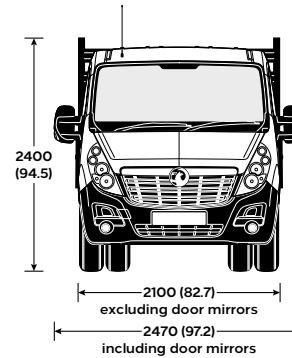
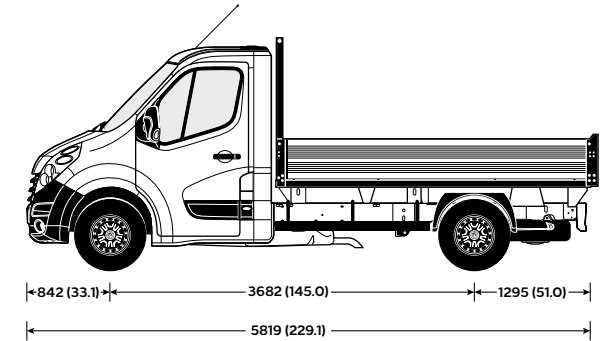
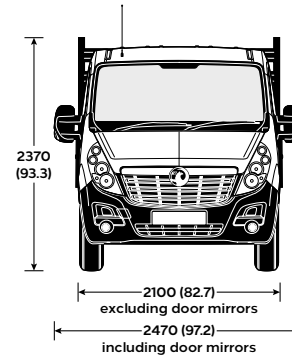
Gross plated weights (including axle weights) quoted on the vehicle plate are to UK plated weight specification and must never be exceeded. For further information please see Glossary of Terms.

All measurements are in mm (inches) unless stated otherwise. Heights shown are unladen.



MOVANO TIPPER SPECIFICATIONS

MOVANO - TIPPER	L2 FWD	L2 RWD HD	L3 RWD HD
Loadspace Area Dimensions millimetres (inches)			
Maximum length	3205 (126.2)	3205 (126.2)	3105 (122.2)
Maximum width	2040 (80.3)	2040 (80.3)	2040 (80.3)
Body side height	400 (15.7)	400 (15.7)	400 (15.7)
Loading height (unladen)	1090 (42.9)	1090 (42.9)	1090 (42.9)
Load area sq.m (sq.ft.)	6.5 (69.4)	6.5 (69.4)	6.3 (68.2)



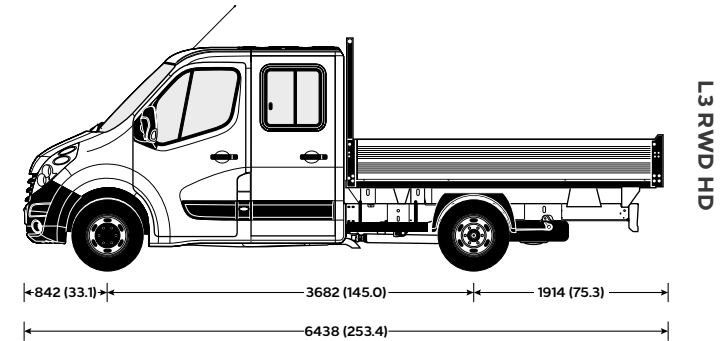
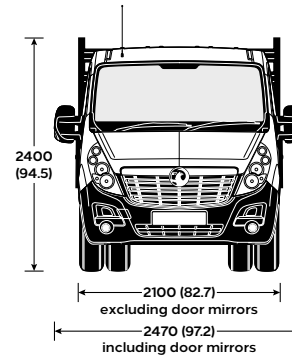
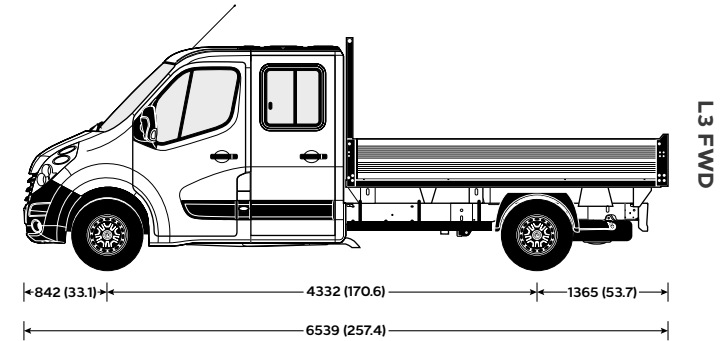
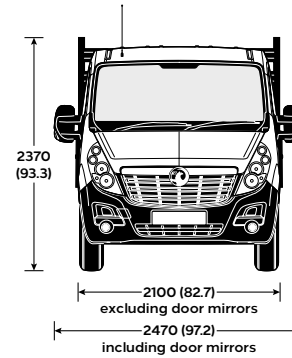


MOVANO CREW CAB TIPPER SPECIFICATIONS

MOVANO - CREW CAB TIPPER

Loadspace Area Dimensions millimetres (inches)

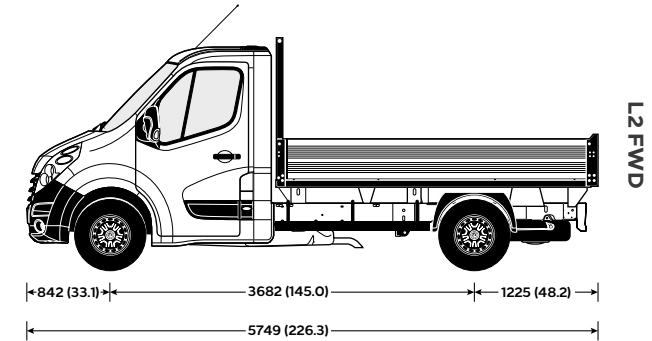
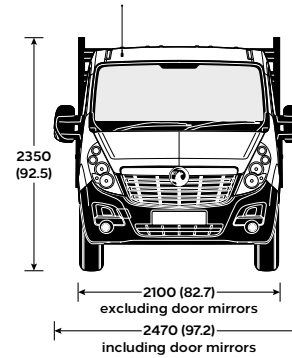
	L3 FWD	L3 RWD HD
Maximum length	3205 (126.2)	3105 (122.2)
Maximum width	2040 (80.3)	2040 (80.3)
Body side height	400 (15.7)	400 (15.7)
Loading height (unladen)	1090 (42.9)	1090 (42.9)
Load area sq.m (sq.ft.)	6.5 (69.4)	6.3 (68.2)



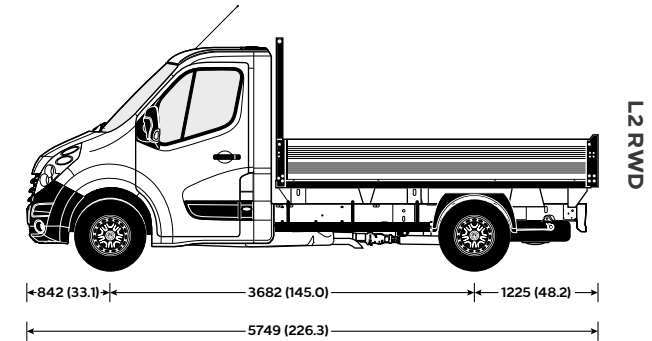
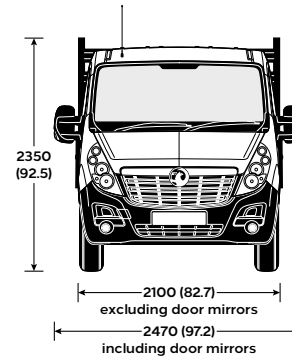


MOVANO DROPSIDE SPECIFICATIONS

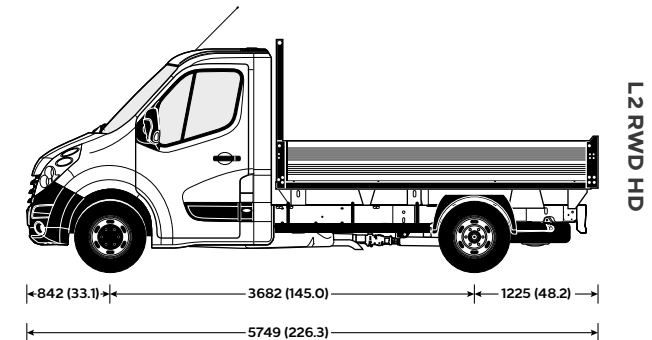
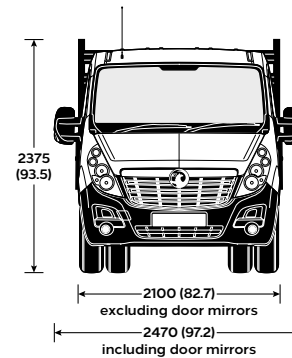
MOVANO - DROPSIDE	L2 FWD	L2 RWD	L2 RWD HD
Loadspace Area Dimensions millimetres (inches)			
Maximum length	3170 (124.8)	3170 (124.8)	3170 (124.8)
Maximum width	2040 (80.3)	2040 (80.3)	2040 (80.3)
Body side height	400 (15.7)	400 (15.7)	400 (15.7)
Loading height (unladen)	1026 (40.4)	1026 (40.4)	1026 (40.4)
Load area sq.m (sq.ft.)	6.5 (70.0)	6.5 (70.0)	6.5 (70.0)



L2 FWD



L2 RWD

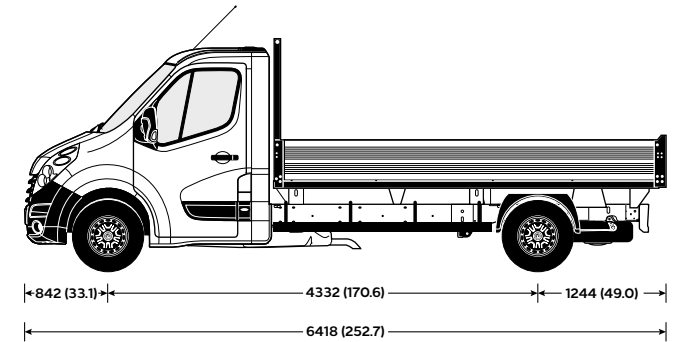
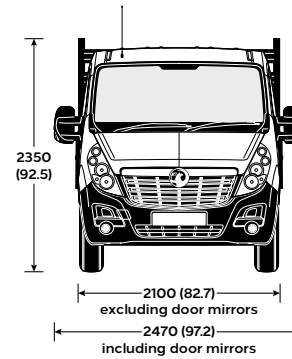


L2 RWD HD

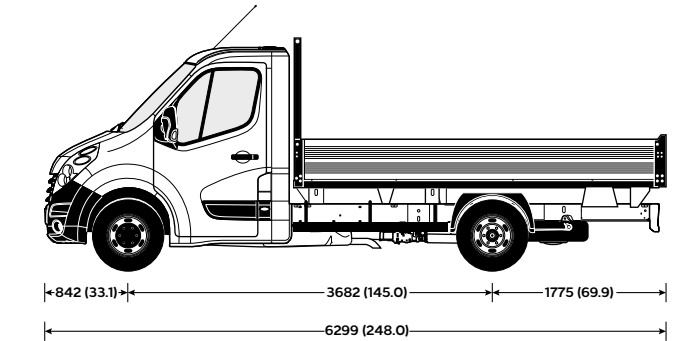
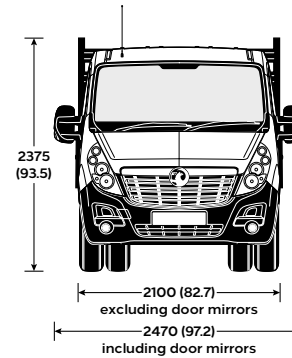


MOVANO DROPSIDE SPECIFICATIONS

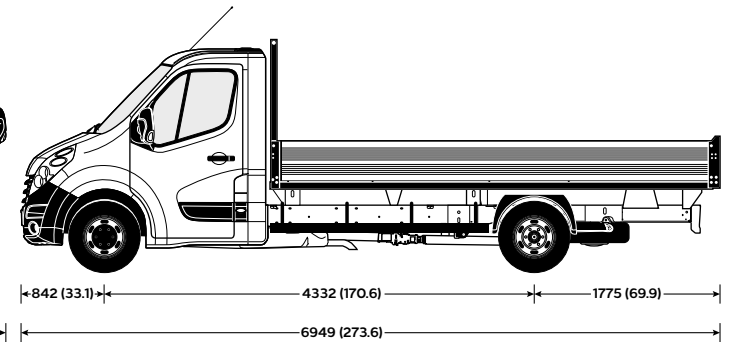
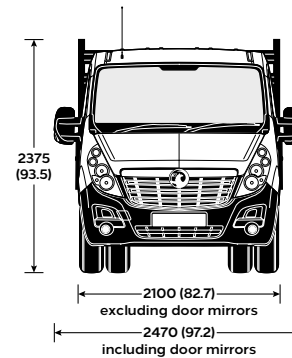
MOVANO - DROPSIDE	L3 FWD	L3 RWD HD	L4 RWD HD
Loadspace Area Dimensions millimetres (inches)			
Maximum length	3900 (153.5)	3700 (145.7)	4470 (176.0)
Maximum width	2040 (80.3)	2040 (80.3)	2040 (80.3)
Body side height	400 (15.7)	400 (15.7)	400 (15.7)
Loading height (unladen)	1026 (40.4)	1026 (40.4)	1026 (40.4)
Load area sq.m (sq.ft.)	7.8 (83.9)	7.6 (81.8)	8.9 (95.8)



L3 FWD



L3 RWD HD

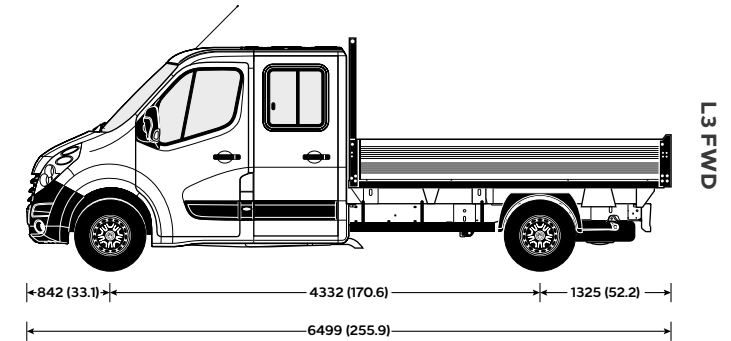
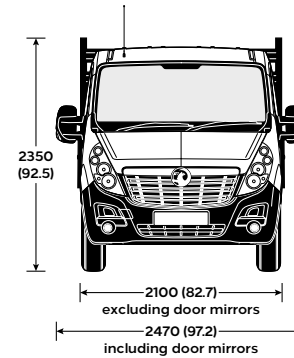
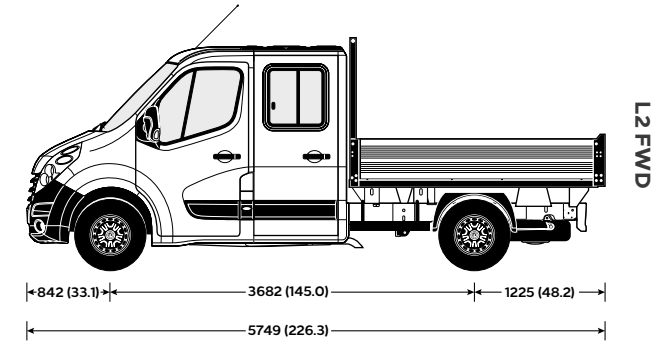
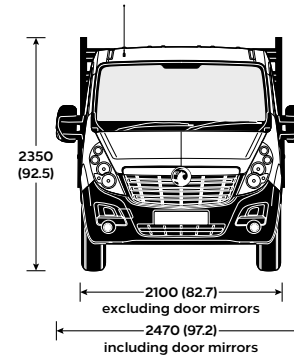


L4 RWD HD



MOVANO DROPSIDE CREW CAB SPECIFICATIONS

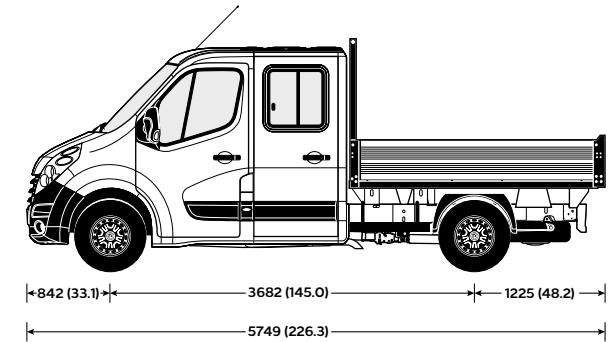
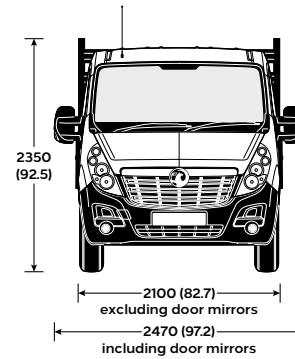
MOVANO - DROPSIDE CREW CAB	L2 FWD	L3 FWD
Loadspace Area Dimensions millimetres (inches)		
Maximum length	2501 (98.5)	3170 (124.8)
Maximum width	2040 (80.3)	2040 (80.3)
Body side height	400 (15.7)	400 (15.7)
Loading height (unladen)	1026 (40.4)	1026 (40.4)
Load area sq.m (sq.ft.)	4.9 (52.7)	6.5 (70.0)



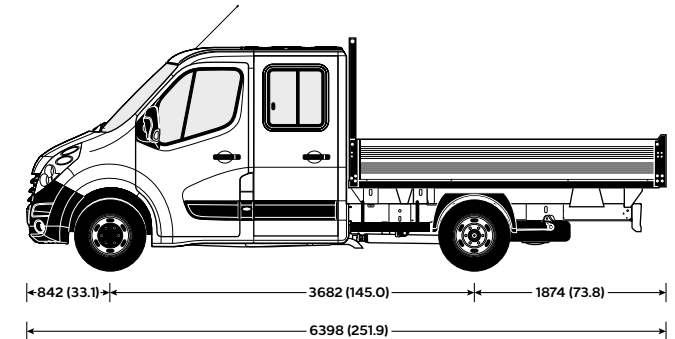
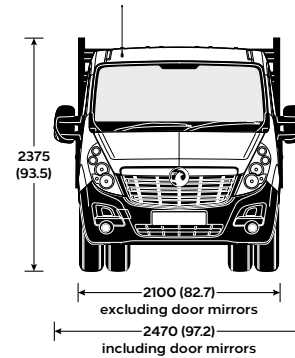


MOVANO DROPSIDE CREW CAB SPECIFICATIONS

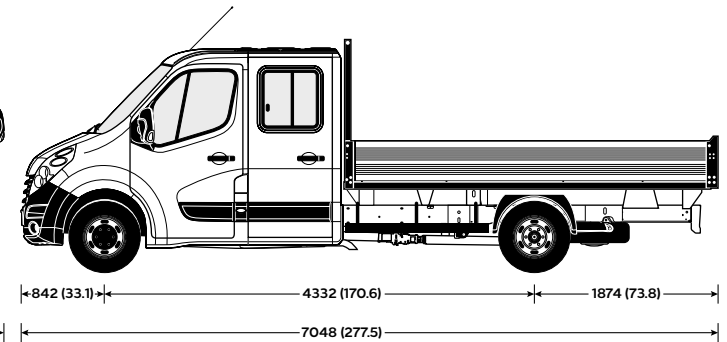
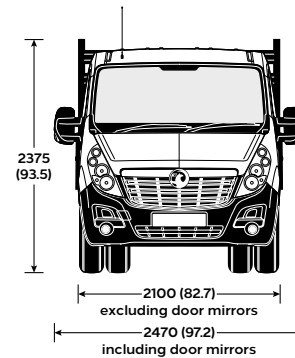
MOVANO - DROPSIDE CREW CAB	L2 RWD	L3 RWD HD	L4 RWD HD
Loadspace Area Dimensions millimetres (inches)			
Maximum length	2501 (98.5)	3070 (120.9)	3702 (145.7)
Maximum width	2040 (80.3)	2040 (80.3)	2040 (80.3)
Body side height	400 (15.7)	400 (15.7)	400 (15.7)
Loading height (unladen)	1026 (40.4)	1026 (40.4)	1026 (40.4)
Load area sq.m (sq.ft.)	4.9 (52.7)	6.3 (67.8)	7.6 (81.8)



L2 RWD



L3 RWD HD

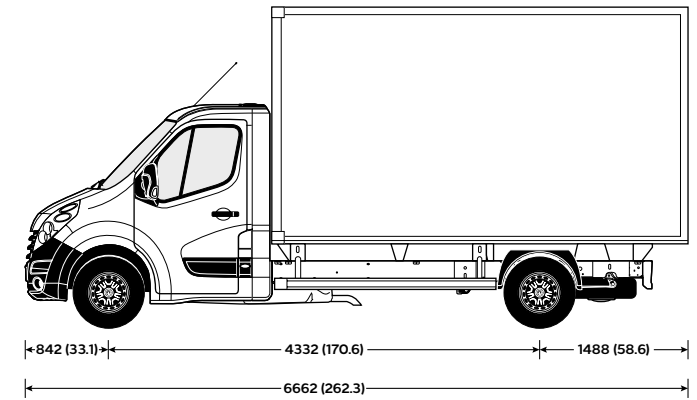
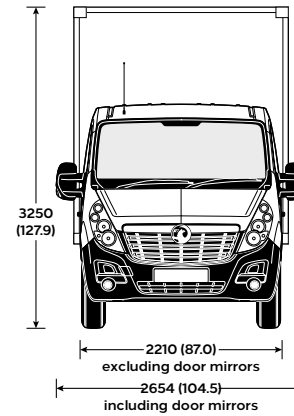


L4 RWD HD

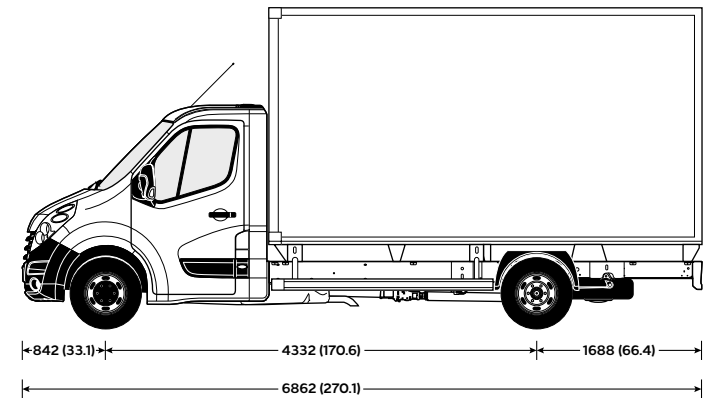
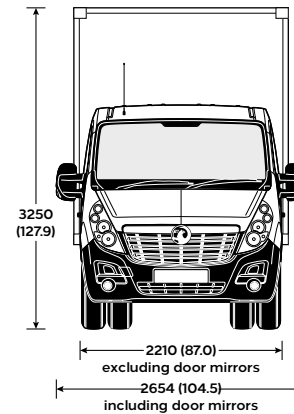


MOVANO BOX VAN SPECIFICATIONS

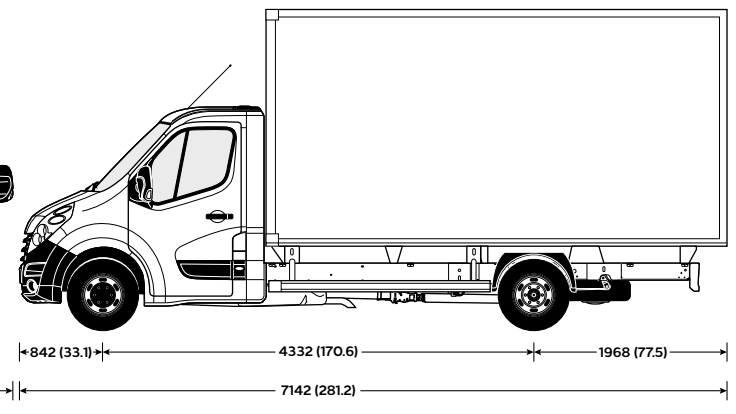
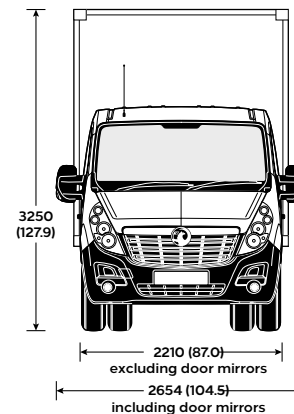
MOVANO - BOX VAN	L3 20cu.m FWD/RWD	L4 20cu.m RWD	L4 22cu.m RWD
Loadspace Area Dimensions millimetres (inches)			
Maximum internal length	4100 (161.4)	4300 (169.3)	4580 (180.3)
Maximum internal width	2150 (84.6)	2150 (84.6)	2150 (84.6)
Maximum internal height	2200 (86.6)	2200 (86.6)	2200 (86.6)
Loading height (unladen)	1050 (41.3)	1050 (41.3)	1050 (41.3)
Loadspace Volumes cu.m (cu.ft.)			
VDA method	19.4 (685.1)	20.3 (716.9)	21.7 (766.3)



L3 FWD/RWD (20cu.m)



L4 RWD HD (20cu.m)



L4 RWD HD (22cu.m)

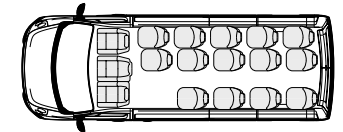
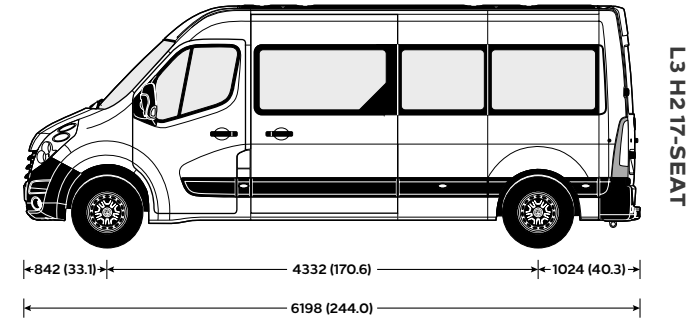
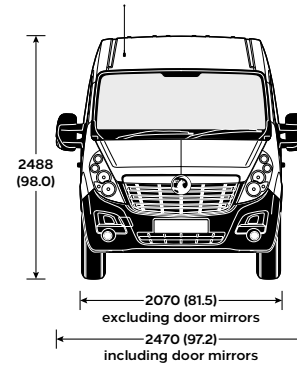


MOVANO MINIBUS SPECIFICATIONS

MOVANO - MINIBUS

Plated Weights and Towing Data kg

Model		Gross Vehicle Weights (GVW)	Plated weights		Towing weights		Plated Gross Combination Weights (GCW)
			Front axle	Rear axle	Braked	Un-braked	
L3 H2 Minibus	F3960	3960	1850	2150	n/a	n/a	n/a



Gross plated weights (including axle weights) quoted on the vehicle plate are to UK plated weight specification and must never be exceeded. For further information please see Glossary of Terms.

All measurements are in mm (inches) unless stated otherwise. Heights shown are unladen.



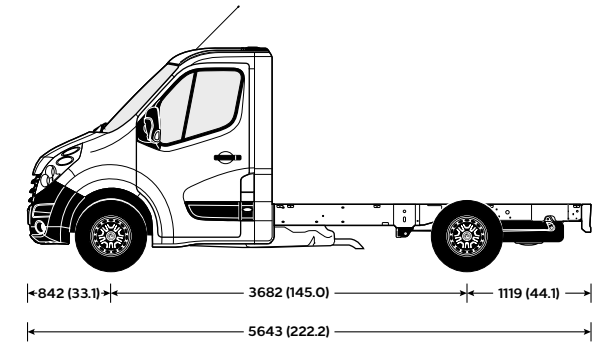
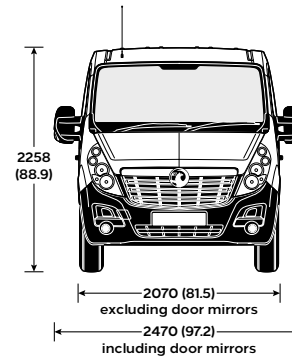
MOVANO CHASSIS CAB SPECIFICATIONS

Chassis Cab

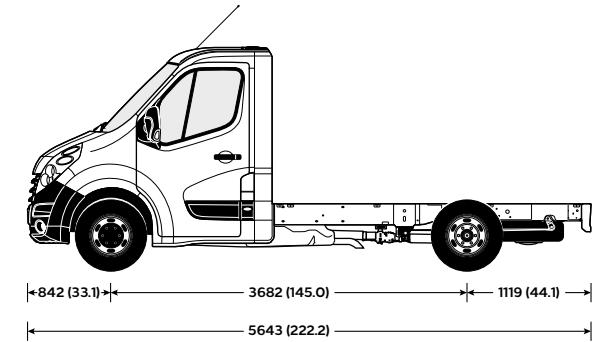
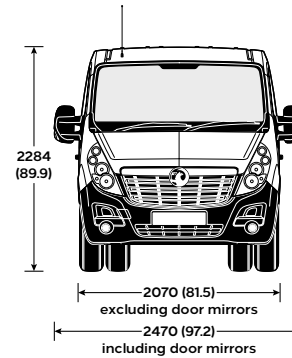
Movano chassis cab models feature rugged box section chassis rails, featuring wide top sections with built-in mounting points. The bolted rear under-run bar provides additional in-built safety, as well as ample margins for additional bodywork while retaining outstanding payloads.

Plated Weights and Towing Data kg

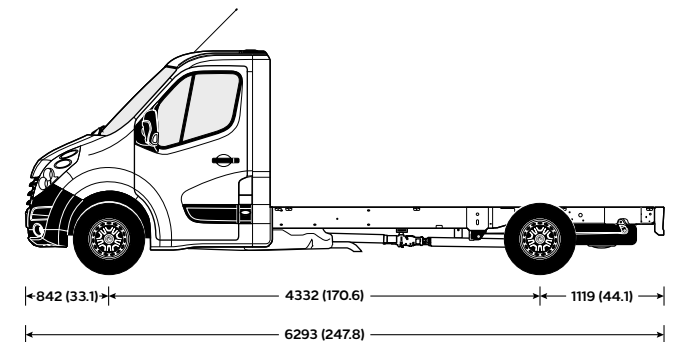
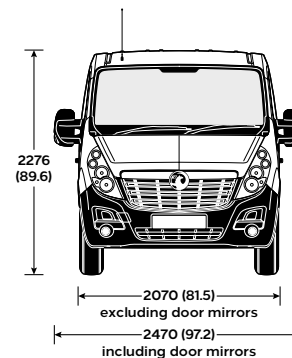
Model		Gross Vehicle Weights (GVW)	Plated weights		Towing weights		Plated Gross Combination Weights (GCW)
			Front axle	Rear axle	Braked	Un-braked	
L2 H1/L3 H1 Chassis	F3500	3500	1850	2100	2500	750	6000
	R3500	3500	1850	2300	2500	750	6000
	R3500HD	3500	1850	2800	3500	750	7000
	R4500HD	4500	1850	3200	3000	750	7500



L2 FWD



L2 RWD/L2 RWD HD



L3 RWD

All conversions must follow 'Vauxhall Converter Requirements' including recommended dimensional data, detailed within Part 1, available at: www.converters-and-groupe-psa.com. The weight of any fitted conversion body will have to be deducted from these figures to establish actual payload and is subject to correct weight distribution. Variations from the recommended dimensions or weights may affect the vehicle's overall centre of gravity and stability. From 29 April 2013 conversion of N1 vehicles was affected by changes to type approval - for further information refer to the VCA website (N2 vehicles were affected from 29 October 2014). For further information please contact conversions@vauxhall.co.uk

Gross plated weights (including axle weights) quoted on the vehicle plate are to UK plated weight specification and must never be exceeded. For further information please see Glossary of Terms.

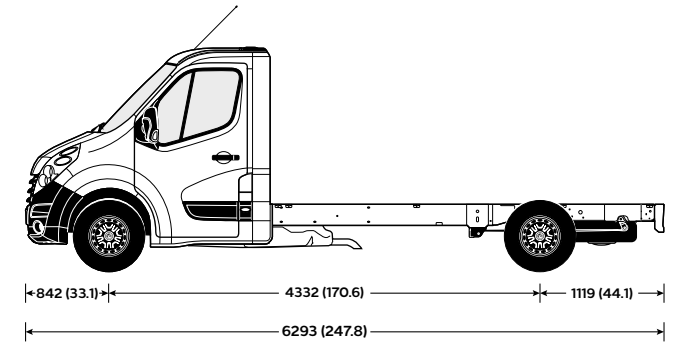
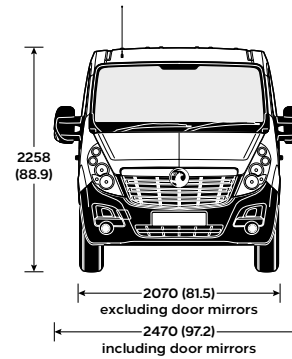
All measurements are in mm (inches) unless stated otherwise. Heights shown are unladen.



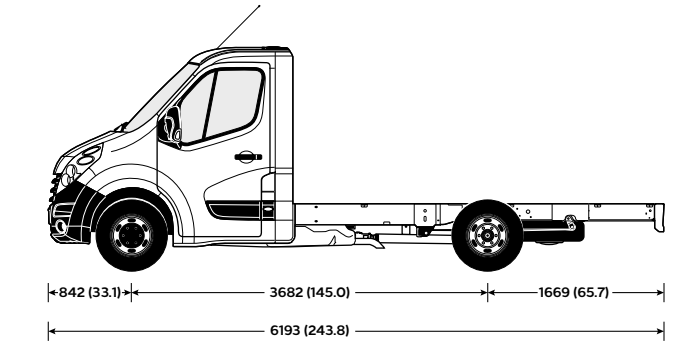
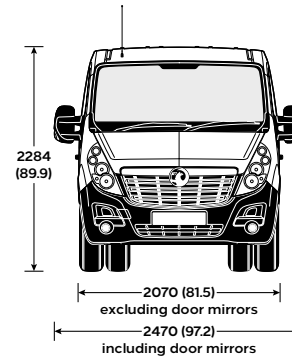
MOVANO CHASSIS CAB SPECIFICATIONS

Plated Weights and Towing Data kg

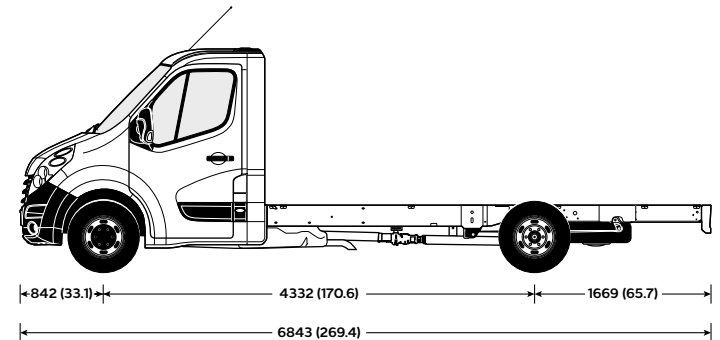
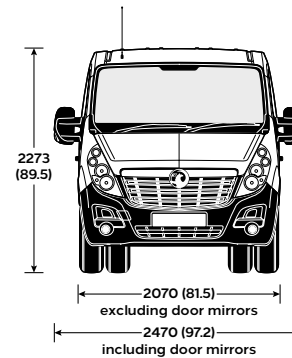
Model		Gross Vehicle Weights (GVW)	Plated weights		Towing weights		Plated Gross Combination Weights (GCW)
			Front axle	Rear axle	Braked	Un-braked	
L3 H1/L4 H1 Chassis	F3500	3500	1850	2100	2500	750	6000
	R3500	3500	1850	2300	2500	750	6000
	R3500HD	3500	1850	2800	3500	750	7000
	R4500HD	4500	1850	3200	3000	750	7500



L3 FWD



L3 RWD HD



L4 RWD HD

All conversions must follow 'Vauxhall Converter Requirements' including recommended dimensional data, detailed within Part 1, available at: www.converters-and-groupe-psa.com. The weight of any fitted conversion body will have to be deducted from these figures to establish actual payload and is subject to correct weight distribution. Variations from the recommended dimensions or weights may affect the vehicle's overall centre of gravity and stability. From 29 April 2013 conversion of N1 vehicles was affected by changes to type approval - for further information refer to the VCA website (N2 vehicles were affected from 29 October 2014). For further information please contact conversions@vauxhall.co.uk

Gross plated weights (including axle weights) quoted on the vehicle plate are to UK plated weight specification and must never be exceeded. For further information please see Glossary of Terms.

All measurements are in mm (inches) unless stated otherwise. Heights shown are unladen.



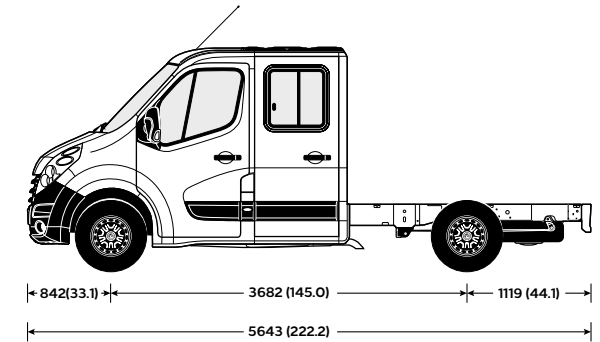
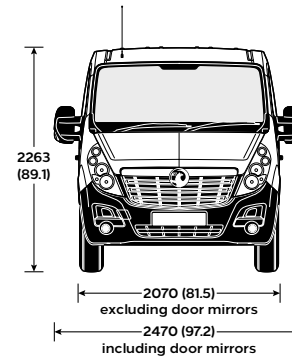
MOVANO CHASSIS CREW CAB SPECIFICATIONS

Chassis Crew Cab

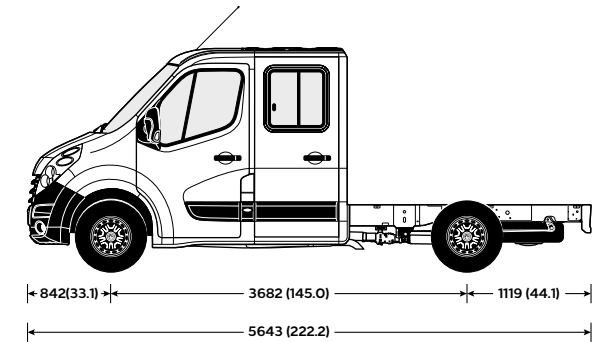
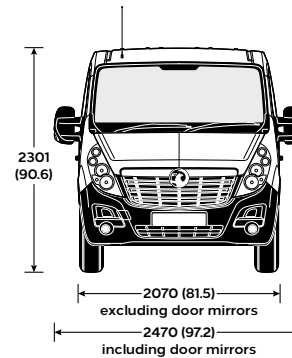
Crew cab models provide the same choice of body configurations and GVWs as our chassis cab variants but introduce an added dose of versatility by providing extra accommodation for four additional crew members.

Plated Weights and Towing Data kg

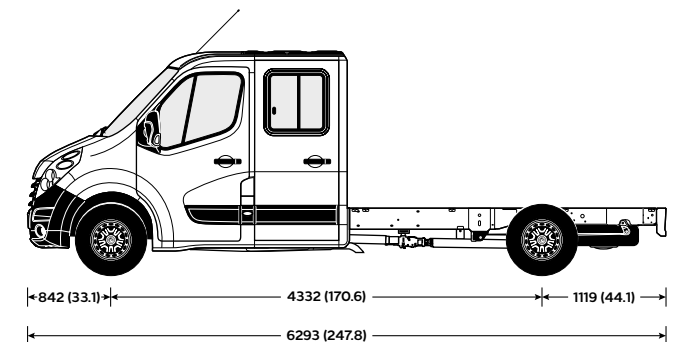
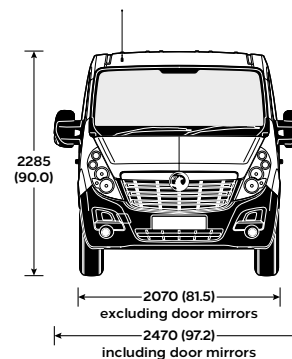
Model		Gross Vehicle Weights (GVW)	Plated weights		Towing weights		Plated Gross Combination Weights (GCW)
			Front axle	Rear axle	Braked	Un-braked	
L2 H1/L3 H1 Chassis Crew Cab	F3500	3500	1850	2100	2500	750	6000
	R3500	3500	1850	2300	2500	750	6000
	R3500HD	3500	1850	2800	3500	750	7000
	R4500HD	4500	1850	3200	3000	750	7500



L2 FWD



L2 RWD



L3 RWD

All conversions must follow 'Vauxhall Converter Requirements' including recommended dimensional data, detailed within Part 1, available at: www.converters-and-groupe-psa.com. The weight of any fitted conversion body will have to be deducted from these figures to establish actual payload and is subject to correct weight distribution. Variations from the recommended dimensions or weights may affect the vehicle's overall centre of gravity and stability. From 29 April 2013 conversion of N1 vehicles was affected by changes to type approval - for further information refer to the VCA website (N2 vehicles were affected from 29 October 2014). For further information please contact conversions@vauxhall.co.uk

Gross plated weights (including axle weights) quoted on the vehicle plate are to UK plated weight specification and must never be exceeded. For further information please see Glossary of Terms.

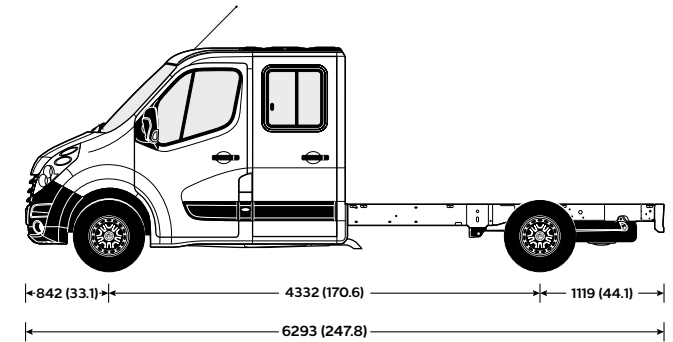
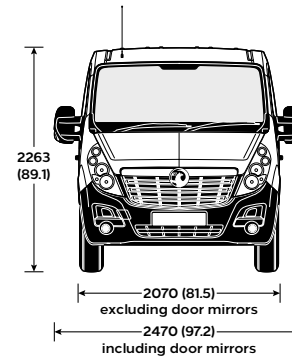
All measurements are in mm (inches) unless stated otherwise. Heights shown are unladen.



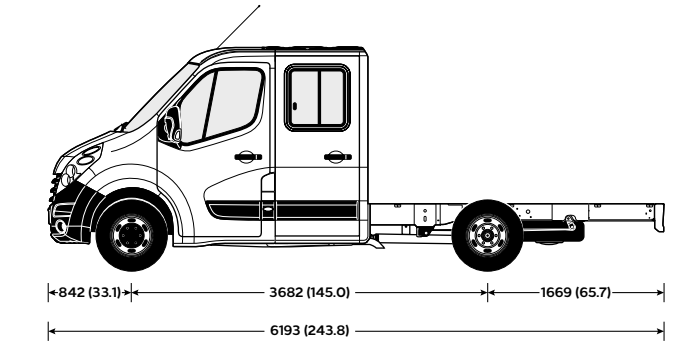
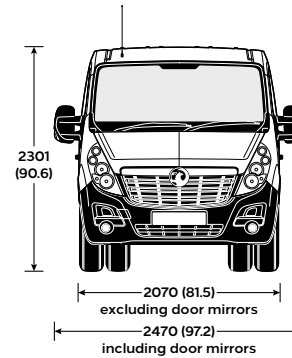
MOVANO CHASSIS CREW CAB SPECIFICATIONS

Plated Weights and Towing Data kg

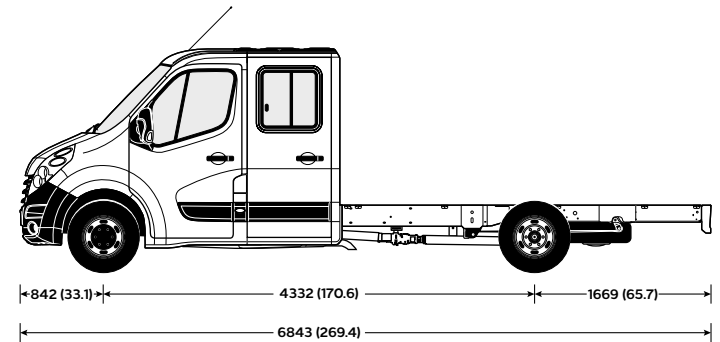
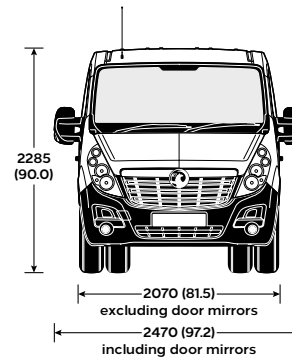
Model		Gross Vehicle Weights (GVW)	Plated weights		Towing weights		Plated Gross Combination Weights (GCW)
			Front axle	Rear axle	Braked	Un-braked	
L3 H1/L4 H1 Chassis Crew Cab	F3500	3500	1850	2100	2500	750	6000
	R3500	3500	1850	2300	2500	750	6000
	R3500HD	3500	1850	2800	3500	750	7000
	R4500HD	4500	1850	3200	3000	750	7500



L3 FWD



L3 RWD HD



L4 RWD HD

All conversions must follow 'Vauxhall Converter Requirements' including recommended dimensional data, detailed within Part 1, available at: www.converters-and-groupe-psa.com. The weight of any fitted conversion body will have to be deducted from these figures to establish actual payload and is subject to correct weight distribution. Variations from the recommended dimensions or weights may affect the vehicle's overall centre of gravity and stability. From 29 April 2013 conversion of N1 vehicles was affected by changes to type approval - for further information refer to the VCA website (N2 vehicles were affected from 29 October 2014). For further information please contact conversions@vauxhall.co.uk

Gross plated weights (including axle weights) quoted on the vehicle plate are to UK plated weight specification and must never be exceeded. For further information please see Glossary of Terms.

All measurements are in mm (inches) unless stated otherwise. Heights shown are unladen.



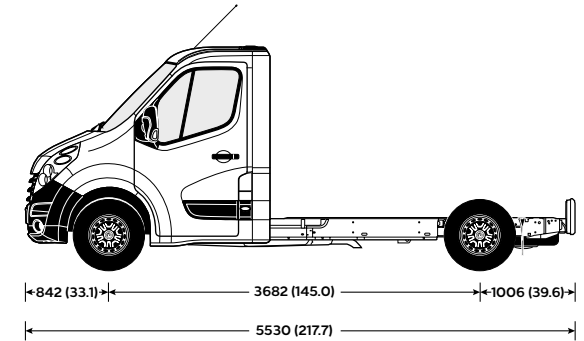
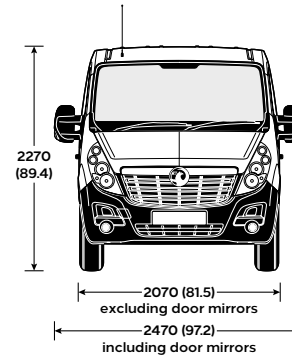
MOVANO PLATFORM CAB SPECIFICATIONS

Chassis Platform Cab

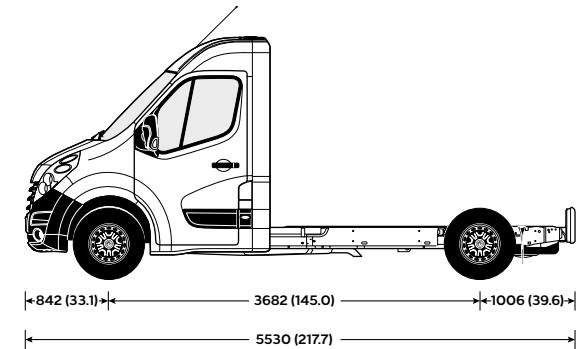
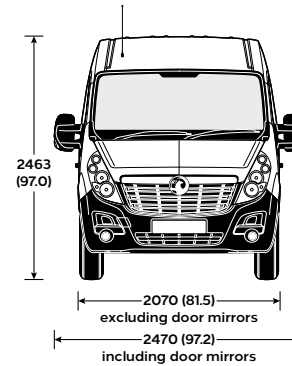
Platform cabs are ideal for those conversions requiring a low floor and walk-through access from the cab. The interface panel makes for easy integration of the cab with the conversion body, while an extended-length wiring loom is available to power the rear lights or extended conversions.

Plated Weights and Towing Data kg

Model		Gross Vehicle Weights (GVW)	Plated weights		Towing weights		Plated Gross Combination Weights (GCW)
			Front axle	Rear axle	Braked	Un-braked	
L2 H1/L2 H2 Platform Cab	F3500	3500	1850	2100	2500	750	6000



L2 H1 FWD



L2 H2 FWD

All conversions must follow 'Vauxhall Converter Requirements' including recommended dimensional data, detailed within Part 1, available at: www.converters-and-groupe-psa.com. The weight of any fitted conversion body will have to be deducted from these figures to establish actual payload and is subject to correct weight distribution. Variations from the recommended dimensions or weights may affect the vehicle's overall centre of gravity and stability. From 29 April 2013 conversion of N1 vehicles was affected by changes to type approval - for further information refer to the VCA website (N2 vehicles were affected from 29 October 2014). For further information please contact conversions@vauxhall.co.uk

Gross plated weights (including axle weights) quoted on the vehicle plate are to UK plated weight specification and must never be exceeded. For further information please see Glossary of Terms.

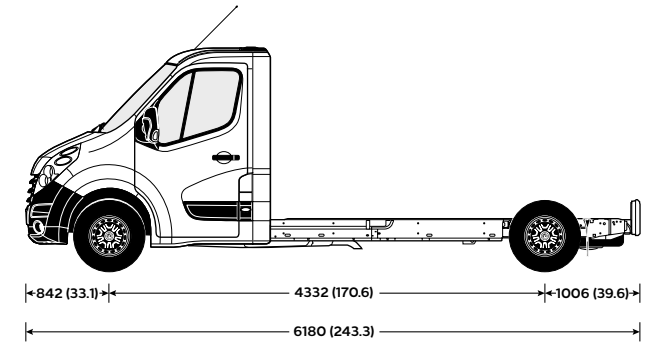
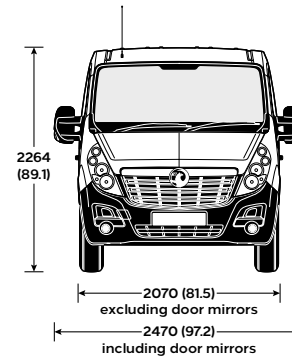
All measurements are in mm (inches) unless stated otherwise. Heights shown are unladen.



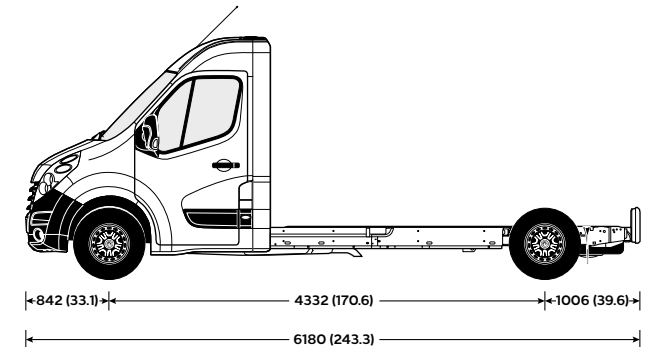
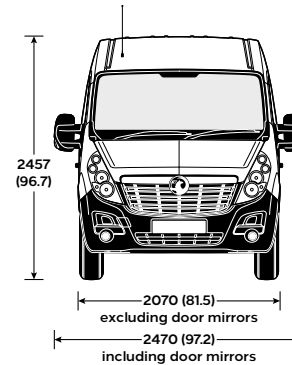
MOVANO PLATFORM CAB SPECIFICATIONS

Plated Weights and Towing Data kg

Model		Gross Vehicle Weights (GVW)	Plated weights		Towing weights		Plated Gross Combination Weights (GCW)
			Front axle	Rear axle	Braked	Un-braked	
L3 H1/L3 H2 Platform Cab	F3500	3500	1850	2100	2500	750	6000



L3 H1 FWD



L3 H2 FWD

All conversions must follow 'Vauxhall Converter Requirements' including recommended dimensional data, detailed within Part 1, available at: www.converters-and-groupe-psa.com. The weight of any fitted conversion body will have to be deducted from these figures to establish actual payload and is subject to correct weight distribution. Variations from the recommended dimensions or weights may affect the vehicle's overall centre of gravity and stability. From 29 April 2013 conversion of N1 vehicles was affected by changes to type approval - for further information refer to the VCA website (N2 vehicles were affected from 29 October 2014). For further information please contact conversions@vauxhall.co.uk

Gross plated weights (including axle weights) quoted on the vehicle plate are to UK plated weight specification and must never be exceeded. For further information please see Glossary of Terms.

All measurements are in mm (inches) unless stated otherwise. Heights shown are unladen.



MOVANO ACCESSORIES

SAFETY	Total (exc. VAT)	ROOF CARRIER SYSTEM	Total (exc. VAT)
Safety pack – first aid kit, warning triangle, hi-visibility vest	£31	Base carrier (set of 2 bars)	
First aid kit	£13	– H1	£298
Warning triangle (Large)	£17	– H2	£300
Hi-visibility vest	£8	Aluminium roof rack tray (including roller)	
		L1H1	£961
		Aluminium roof rack tray (including roller)	
		L1H2	£961
		Aluminium roof rack tray (including roller)	
		L2H2	£1,079
		Aluminium roof rack tray (including roller)	
		L3H2	£1,070
		Aluminium roof rack tray (including roller)	
		L4H2	£1,065
		Aluminium roof rack tray (including roller)	
		- Black L4 H2	£985
		Roof Rack tray Steel walkway L1	£289
		Roof Rack tray Steel walkway L2	£334
		Roof Rack tray Steel walkway L3	£331
		Roof Rack tray Steel walkway L4	£328
		Roof Rack tray Black Steel walkway L4	£272
		Roof Carrier Ladder H1	£273
		Roof Carrier Ladder H2	£292
		TOWING	
		Flange tow bar with 13-pin electrics	from £644
PRACTICAL			
Spare bulb kit	£17		
Stretch tow rope – 3 tonne	£30		
Smoker Pack	£63		
SECURITY			
Steering wheel security bar	£82		
Rear window grille – H1	£171		
Side sliding door window grille – L1	£141		
Side sliding door (right) window grille – L2, L3, L4	£149		
Side sliding door (left) window grille – L2, L3, L4	£144		
PROTECTION			
Carpet front floor mat	£57		
Mudflaps – set of four – L1/L2	from £109		
Rear parking distance sensor (4 sensors)	£271		
Rear-view camera	£311		



GLOSSARY OF TERMS

Plated weight

The maximum weight to which a vehicle or an axle may be loaded, determined either by the design of the components or by legislation. All commercial vehicles must carry a manufacturer's 'plate' showing the vehicle and axle gross 'plated weights'. It is an offence to drive a vehicle in a condition where any of these weights are exceeded.

Minimum Mass

Minimum Mass ('Mass in running order' on Certificate of Conformity and 'Mass in Service' on V5C form) is defined according to European Type Approval and include all fluids, tools, 90% fuel load and driver (75kg). It is minimum mass for this variant and does not consider local specification/trim or deletable options (specific to Movano). Weights are also subject to manufacturing tolerances (EU Legislation allows 5% tolerance).

Gross Vehicle Weight (GVW)

The total permissible weight of a vehicle including payload and passengers, as shown on the manufacturer's plate.

Gross Combination Weight (GCW)

The maximum permissible weight of a vehicle, including payload and passengers, combined with the total weight of any trailer it is towing. The maximum GCW weight limit is quoted on the vehicle plate and must not be exceeded.

Payload

The total permissible weight that can be carried without exceeding the vehicle's plated weight. Payload does not include driver but do take into consideration specification/trim level:

- For Vivaro included are UK specification (15kg) and trim (Sportive Panel Van 30kg; Sportive Doublecab 40kg; Limited Edition NAV Panel Van 45kg and Limited Edition NAV Doublecab 55kg)
- For Movano included are UK specification (10kg) and deletable options such as Bulkhead (25kg); Sliding Doors (30kg each) and Spare Wheel (25kg)

Weights are also subject to manufacturing tolerances (EU Legislation allows 5% tolerance). Payload does not consider any additional options that a customer may order.

ROOF LOADS

- Combo roof load should not exceed 100kg including the weight of the roof rack/carrier.
- Vivaro roof load should not exceed 200kg (150kg on H2 models) including the weight of the roof rack/carrier
- Movano roof load should not exceed 200kg (150kg on H1 models) including the weight of the roof rack/carrier. H3 are not permitted to carry roof loads

Maximum towing weight

The maximum weight of any trailer and its load which may be towed within the limit of the vehicle's plated Gross Combination Weight (GCW). It is based on the ability of the vehicle – at full GCW – to restart on a 12% gradient, which is approximately 1 in 8.3, at sea level. At altitudes above 1500 metres, the engine output may drop with a corresponding reduction in towing capability. It is the operator's responsibility to ensure that the trailer noseweight does not cause the rear axle plated weight of the towing vehicle to be exceeded.

Always fit Vauxhall towing attachments and accessories available from your Vauxhall Commercial Vehicle Retailer. They are designed specifically for Vauxhall models and carry a 12-month warranty.

Light Duty and Heavy Duty cycles

For a Light Duty cycle (EC regulation 715/2007 with designation 'Euro 6') the emissions of the whole vehicle are evaluated whereas for Heavy Duty cycle (EC regulation 595/2009 with designation 'Euro VI') only the engine is bench tested. The requirement of which cycle is necessary is determined by the reference mass of the vehicle. In the case of Movano, reference mass calculations dictate that:

- N1 FWD and M1 FWD are approved as Light Duty
- N1 RWD, N2 RWD and M2 FWD are approved as Heavy Duty

When Euro 5 was previously introduced, there was an agreement between Member States and the Commission (Reference TEC 740/2011) that, assuming there was no alteration to the emissions system itself, a multi-stage build vehicle should be covered by the base vehicle emissions approval, irrespective of whether the reference mass had changed. The Department for Transport has confirmed that this interpretation will remain in place for Euro 6/VI.

To illustrate this better – a F3500 L3 H1 (130PS) Movano Chassis Cab is type approved as Light Duty (Euro 6). Regardless of any conversion to this vehicle and even if its reference mass transgresses above the 2840kg threshold, then it is still be covered by the original Light Duty cycle emissions. One situation where this may not apply is when a vehicle changes category from N1 (Commercial) to M1 (Passenger) during the process of conversion.

Commercial Vehicle Categories

Differences between M1/N1 and M2/N2 (Vehicles with GVW above 3500kg)

Category M: Passenger carriers

Category M1: Vehicles designed and constructed for the carriage of passengers and comprising no more than eight seats in addition to the driver's seat.

Category M2: Vehicles designed and constructed for the carriage of passengers, comprising more than eight seats in addition to the driver's seat, and having a maximum mass not exceeding 5 tonnes.

Category N: Goods vehicles

Category N1: Vehicles designed and constructed for the carriage of goods and having a maximum mass not exceeding 3.5 tonnes.

Category N2: Vehicles designed and constructed for the carriage of goods and having a maximum mass exceeding 3.5 tonnes but not exceeding 12 tonnes.

Specific differences, all M2/N2 require the following:

Speed limiter: All M2/N2 vehicles are legally required to be speed limited. M2 to 62mph and N2 to 56mph.

Driver licence: Commercial vehicles with GVW greater than 3.5 tonnes have different license requirements. For any new drivers C1 category

is necessary. Under some circumstances (social purposes for a non-commercial body) it is possible to drive a minibus without a D1 entitlement (Minibus) however eligibility for this exemption should be confirmed with DVSA.

Driver CPC: Driver Certificate of Professional Competence mandates 35 hours of periodic training every 5 years to maintain licence (from September 2014).

Tachograph: It is a legal requirement to administer the activities of drivers subject to the EU or AETR drivers' hours rules, and also record the vehicle's speed, distance and time. A Smart Card is required for digital tachograph and these are available from the DVLA. The tachograph of a new vehicle must be calibrated within two weeks of first registration.

Operator's Licence: This may also be required to ensure that vehicles are kept safe and in good condition at all times. Specifically for M2, PSV (public service vehicle) operator's licence is required. Exemptions in some circumstances may be permitted but this should always be confirmed with DVSA.

MOT Testing: M2/N2 must be tested each year, and vehicle presented with a completed Certificate of Conformity (CoC). This is available from Vauxhall (regdata@gm.com) or from converter in case of second-stage conversion.



CUSTOMER CARE PRICING AND ADDITIONAL INFORMATION

Vauxhall on-the-road recommended retail prices (RRP)

To eliminate uncertainty about hidden costs incurred when buying a new commercial vehicle, Vauxhall publishes on-the-road prices and these are shown in the pricing tables within this price guide. The prices shown are manufacturer's recommended retail prices (RRP) unless otherwise stated, exclusive of VAT (currently at a rate of 20% which may be payable). These prices include the recommended cost of number plates, delivery to a Vauxhall Retailer of £583.33 (£700.00 including VAT), 12 months' Government Vehicle Excise Duty* and the DVLA new vehicle first registration fee of £55.00*.

Please note: The RRP does not include fuel supplied by the Retailer, motor insurance or any other goods or services supplied by agreement between the Retailer and customer.

Price protection for all Vauxhalls

Order a new Vauxhall for build in the current model year (as confirmed by your Retailer) for delivery no more than three months in advance and the price you are quoted is the price you pay. This is irrespective of any subsequent price rises between placing your order and delivery of your new commercial vehicle, but you must take delivery as soon as the commercial vehicle is available. Vauxhall Motors Limited is not liable for price adjustments caused by Government changes in the rate of VAT (currently 20%), Vehicle Excise Duty, DVLA new vehicle first registration fee or by any other applicable legislation or regulations.

Vehicle Excise Duty

The amount of Vehicle Excise Duty (road fund licence) payable on new commercial vehicles varies depending on gross vehicle weight (GVW) and European standard emissions compliance, as shown below*.

Up to 3500kg GVW	£260.00
Over 3500kg GVW	£165.00

*Correct at time of publication.

In the event of an accident...

Vauxhall Accident Management helps keep you mobile following an accident. Benefits include vehicle recovery, Vauxhall-approved repairs and contacting your insurer. For more details, visit vauxhall.co.uk/AccidentManagement

Customer Care Commitment

For added peace of mind, Vauxhall has an innovative Customer Care Commitment** that offers the following:

- Three-year vehicle warranty consisting of a one-year/unlimited mileage manufacturer's warranty and a second and third year manufacturer's warranty with a 60,000 miles (Combo) and 100,000 miles (Vivaro and Movano) limitation
 - Vauxhall Assistance for 12 months from first registration
 - Six years' body panel anti-perforation warranty
- **Warranty is only on vehicles sourced from Vauxhall Motors Limited. Terms and conditions apply – please see your Vauxhall Retailer for details.

Vauxhall Assistance

Vauxhall Assistance is provided automatically with every new Vauxhall Commercial Vehicle for 12 months from first registration and covers everything from accidents, mechanical breakdown to flat tyres. With Vauxhall Assistance help is literally just a free[†] phone call away, 24 hours a day, 365 days a year!

[†]Mobile phone users will be charged at their standard tariff.

Vauxhall Extended Warranty

For complete peace of mind Vauxhall offers an extended warranty that can be purchased on an annual basis following the expiry of the original new vehicle warranty. It covers most mechanical and electrical components. Terms and conditions apply, for further details please contact your local Vauxhall Retailer.

Protecting the environment

Our products are increasingly winning environmental awards, both through the use of more recycled materials and by becoming cleaner and more efficient. For information on Vauxhall's efforts to achieve an environmentally sustainable future, including information on Design for Recycling, take-back of End-of-Life Vehicles (ELVs), and the recycling of ELVs, see www.vauxhall.co.uk/recycling

Van Business Centres

Keeping your van on the road. We know how important your van is to you, that's why we're geared up to minimise your downtime.

Our nationwide Van Business Centres provide fast, convenient value for money servicing, repairs and MOTs.

- All work is carried out by Vauxhall trained technicians using only genuine parts
- No appointments are required for diagnosis and we offer a 'while you wait' service

We have all the expertise required and will spare no effort to get you back in business as soon as possible.

Vauxhall Service Plan

Vauxhall Retailers offer a great service for owners of all Vauxhall vehicles. Value for money, regular offers and free check-ups, combined with the peace of mind that comes from using Vauxhall-trained technicians and genuine parts, help keep your vehicle in peak condition at all times. Every Vauxhall Retailer supports our customer promise:

We are Vauxhall experts

- Fully Vauxhall-trained technicians
- We use Vauxhall approved diagnostic equipment and specialist tools
- Full access to Vauxhall repair databases and technical centres

We are transparent

- Our invoicing will clearly set out the work at the price agreed with no hidden extras

We are never beaten on price

- We will match any written like for like service/repair quote from a local^{††} competitor using genuine repair methods and parts

We are convenient

- Flexible booking times to suit you
- 'One-stop shop' for every type of Vauxhall service
- While you wait facility on stocked tyres, batteries and exhausts
- Free courtesy vehicle or local collection with annual services and warranty work

We are thorough

- 25 point safety check with any workshop visit
- No obligation advice on essential and non-essential work
- Free check for safety enhancements and upgrades to your vehicle and software
- Free 'Wash and Vac' with every annual service
- Free fitting of wipers and external bulbs with annual services

^{††}A radius of five miles/20 minutes from your Vauxhall Retailer.

For more product information

For further information on the Vauxhall range or location of your nearest Vauxhall Retailer please call **0345 600 1500**. Alternatively, details can be found on our website at www.vauxhall.co.uk

Join us online



Privacy Policy – for full details visit www.vauxhall.co.uk/privacy

The invoice price, including delivery to Retailer, factory-fitted options, accessories fitted by the Retailer and number plates, is subject to VAT. Some feature descriptions in this guide may refer to, and some illustrations may show, optional equipment not included in the standard delivery. The information contained in this guide was accurate at the time of publication. We reserve the right to make changes in design and equipment. Please note that Vauxhall Retailers are not the agents of Vauxhall Motors Limited and are not authorised to bind Vauxhall Motors Limited by any specific or implied undertaking or representation. It is advisable to ensure that your motor insurance policy provides adequate cover for additional fitted options and accessories. The colours in this guide are only approximate actual colours. Illustrated optional equipment is available at extra charge. Availability, technical features and equipment provided on our vehicles can vary by model. For precise information on the equipment provided on our vehicles, please contact your local Vauxhall Retailer.

VAUXHALL

vauxhall.co.uk

©2019 Vauxhall Motors Limited

Published 1 April 2019 (Amended 17 May 2019) Vauxhall Motors Limited, Luton LU4 9TT